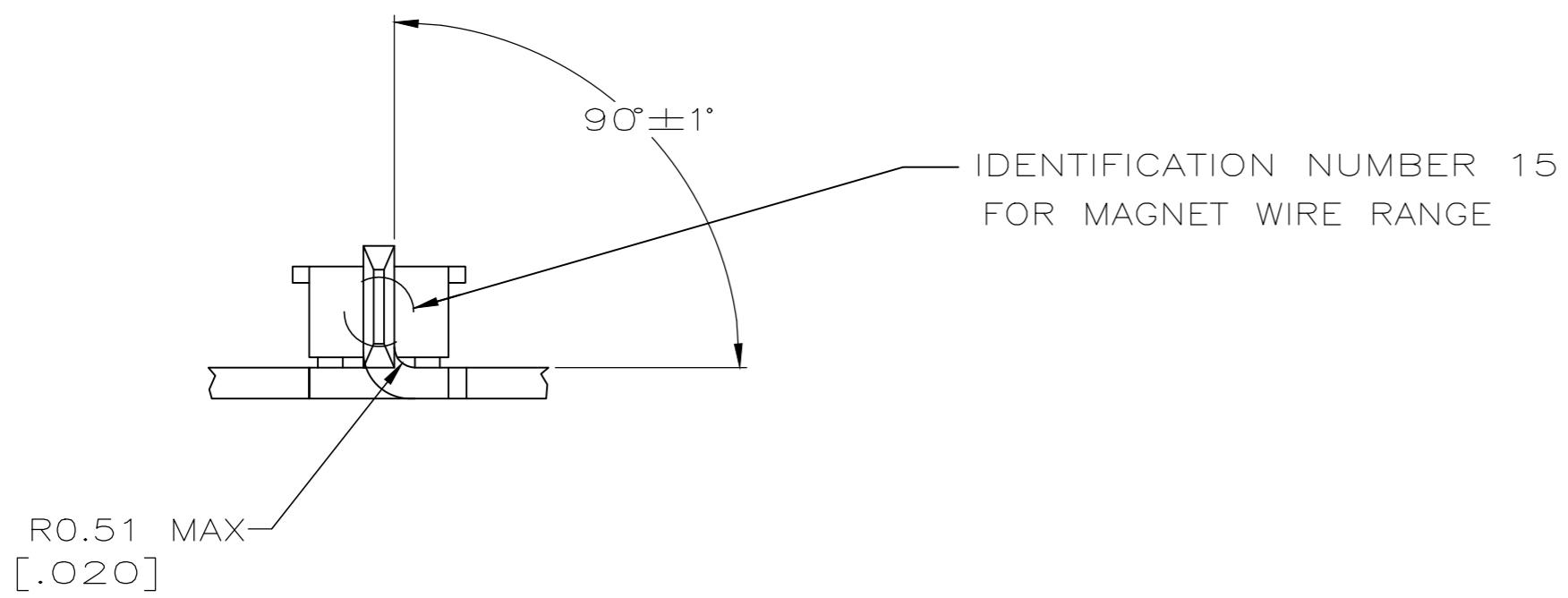
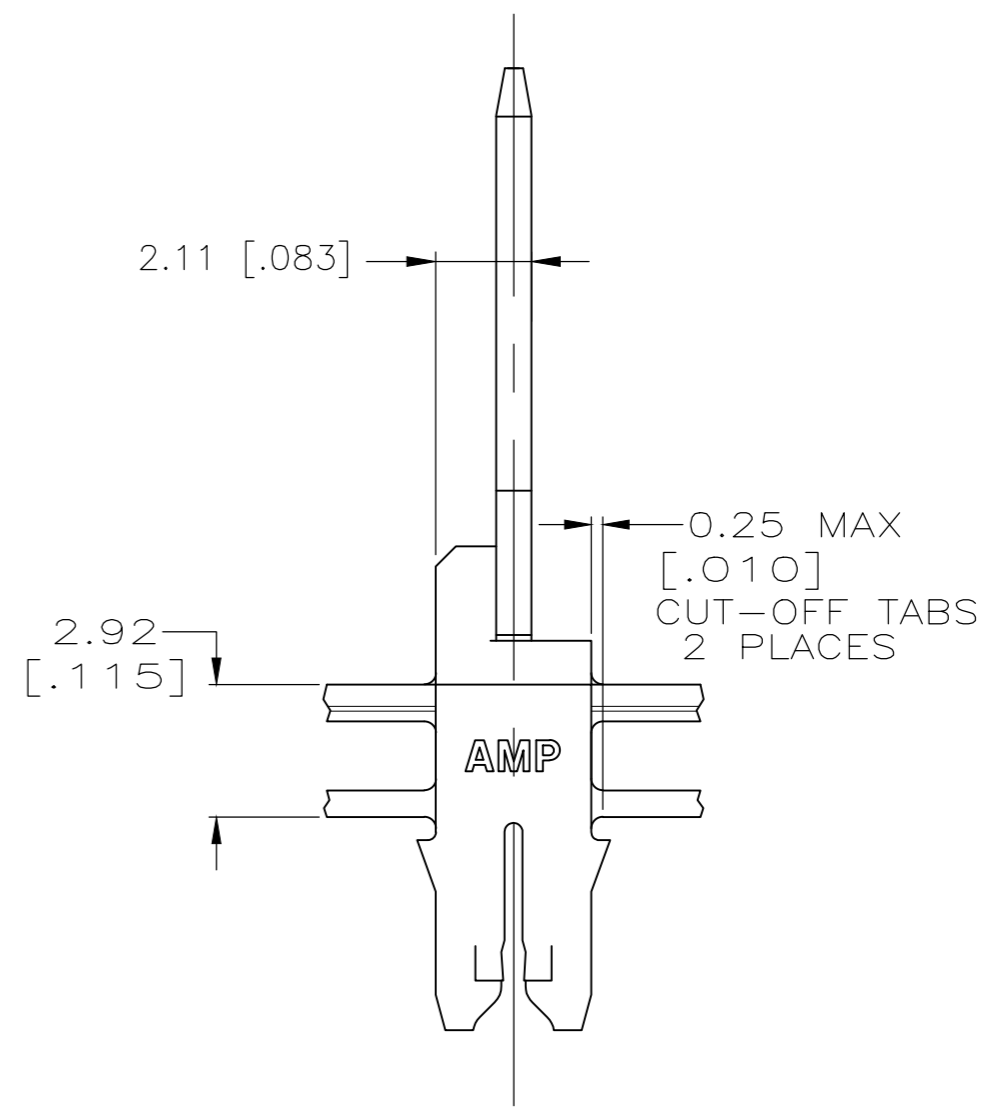
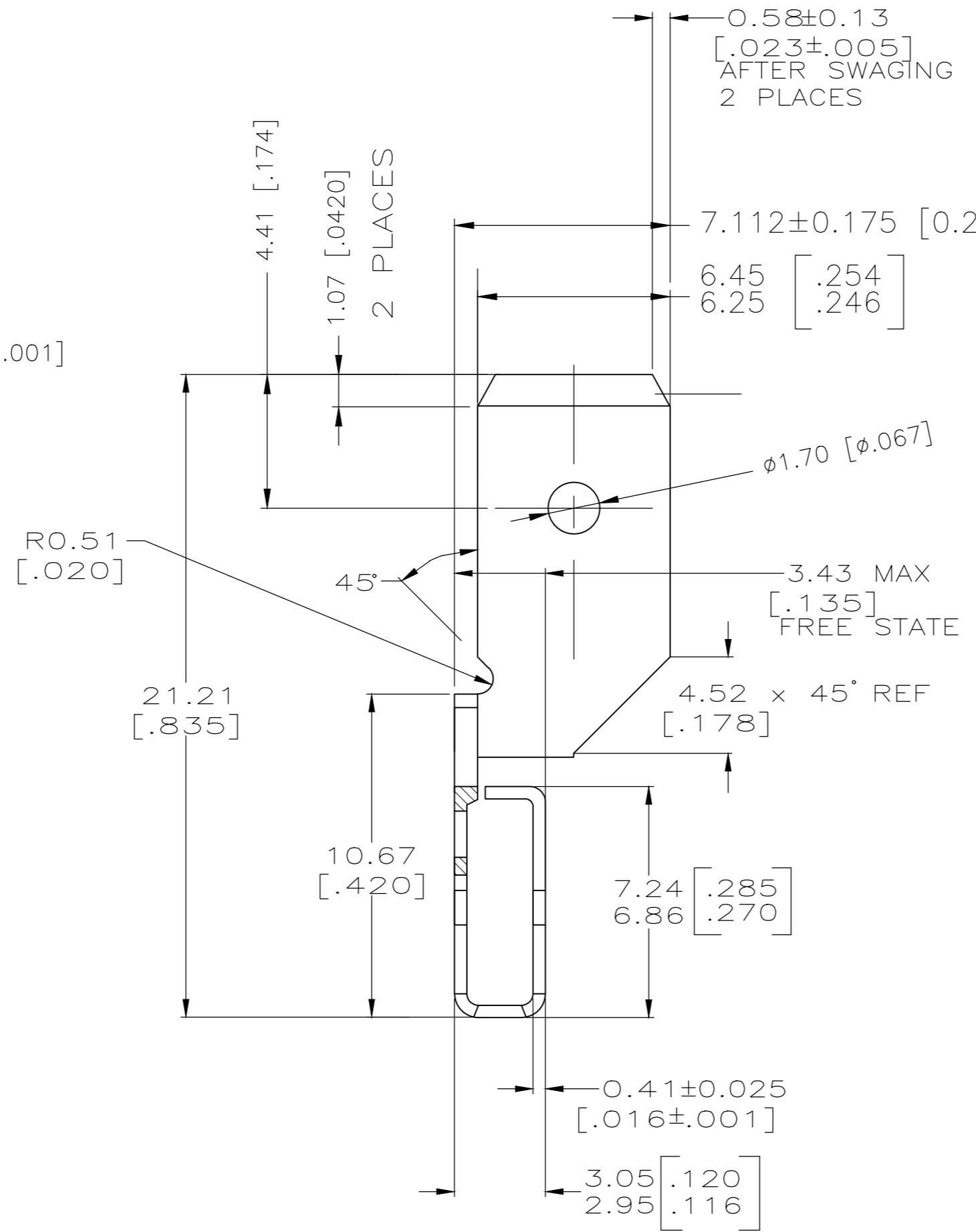
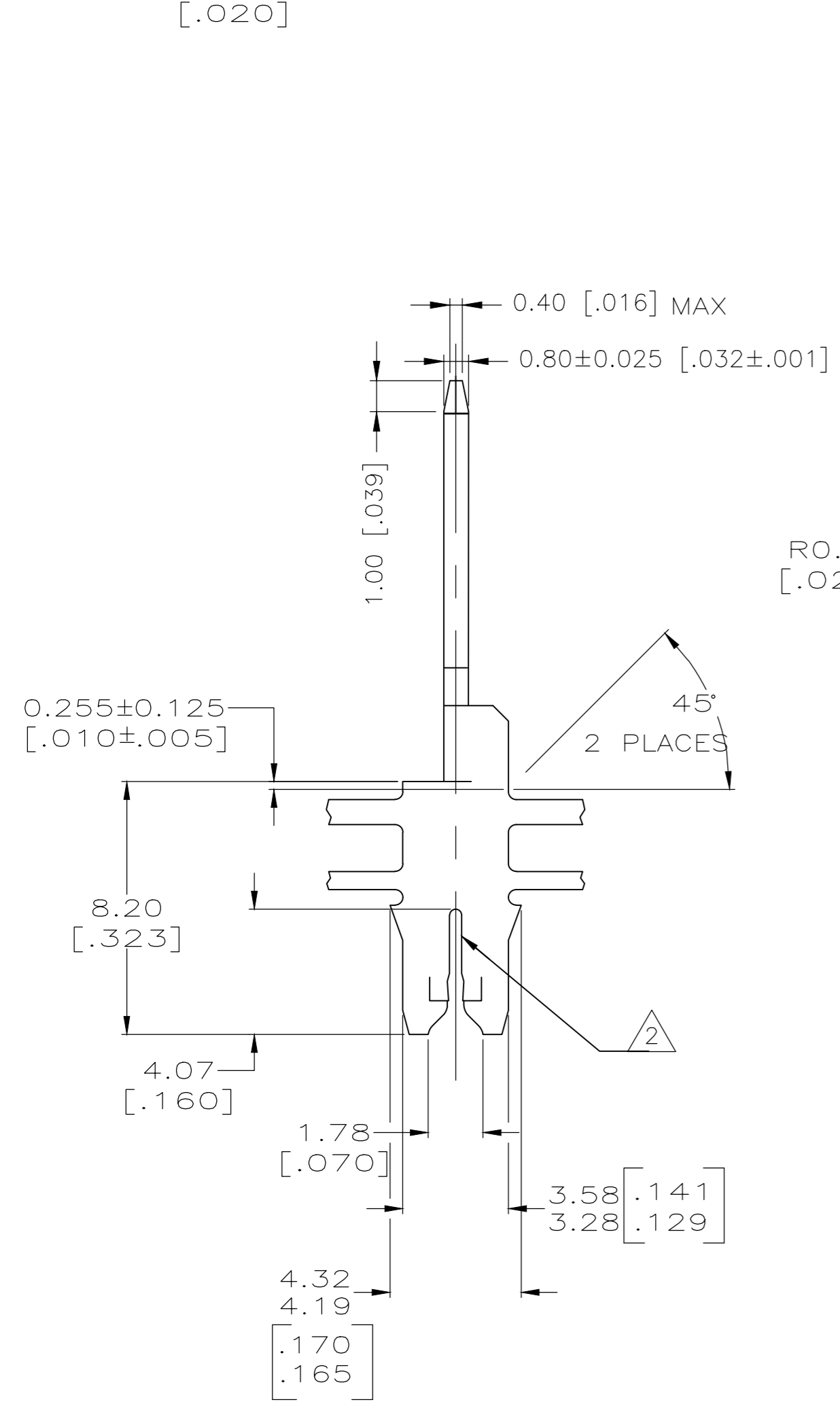


THIS DRAWING IS UNPUBLISHED. RELEASED FOR PUBLICATION
 © COPYRIGHT - By - ALL RIGHTS RESERVED.

REVISIONS				
P	LTR	DESCRIPTION	DATE	APVD
B3		DRAWING CLARIFICATION	29JUL2019	SV PKS



- 1 CONTINUOUS STRIP ON REELS WITH TERMINALS LOCATED ON 8.38 ± 0.076 [.330 ± .003] CENTERS
- 2 SLOTTED ACCEPTS 0.64–0.81 mm [#22–#20] SINGLE COPPER MAGNET WIRE ONLY OR SLOTTED ACCEPTS 0.72–0.91 mm [#21–#19] SINGLE ALUMINUM MAGNET WIRE ONLY
- 3 REFER TO DWG 411–106396 FOR ADDITIONAL CAVITY INFORMATION (MODIFIED DEPTH)
- 4 PRELIMINARY – NOT FOR PRODUCTION. THIS PN HAS NOT COMPLETED THE QUALIFICATION TESTING.
- 5 0.002540 [.000100] MIN TIN PLATE
- 6 0.002032 [.000080] MIN SILVER PLATE OVER 0.001270 [.000050] MIN NICKEL PLATE



6	WELD	4	2232237-2
5	WELD		2232237-1
FINISH	SPLICE		PART NUMBER

THIS DRAWING IS A CONTROLLED DOCUMENT.		DWN	R.GRZYBOWSKI	24JUN97
DIMENSIONS: mm		CHK	M.S.FEHER	24JUN97
TOLERANCES UNLESS OTHERWISE SPECIFIED:		APVD	N.E.NEFF	24JUN97
0 PLC	± -	PRODUCT SPEC	108-2012	
1 PLC	± -	APPLICATION SPEC	114-2046	3
2 PLC	± 0.25 [.010]	WEIGHT	0.000000	
3 PLC	± -	CUSTOMER DRAWING		
4 PLC	± -	SCALE	6:1	
ANGLES	± -	SHEET	1 of 1	
FINISH	SEE TABLE	REV	B3	

TE Connectivity
 TAB, 6.30 [.250] CONNECTING, MAG-MATE
 SIZE A2 CAGE CODE 00779 C=2232237

单击下面可查看定价，库存，交付和生命周期等信息

[>>TE Connectivity\(泰科\)](#)