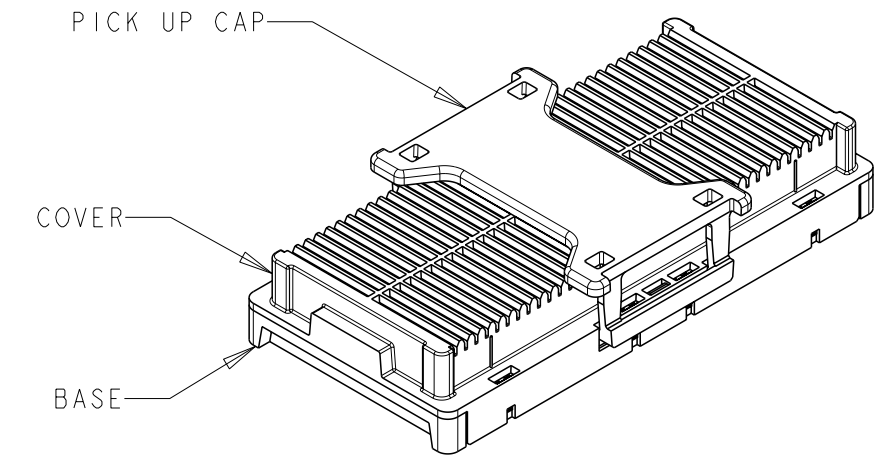
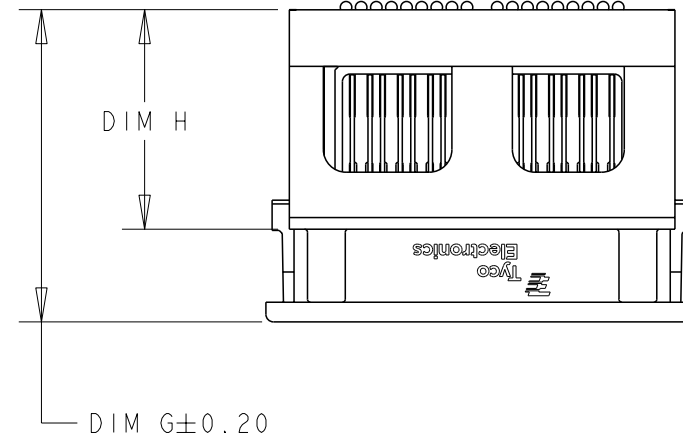
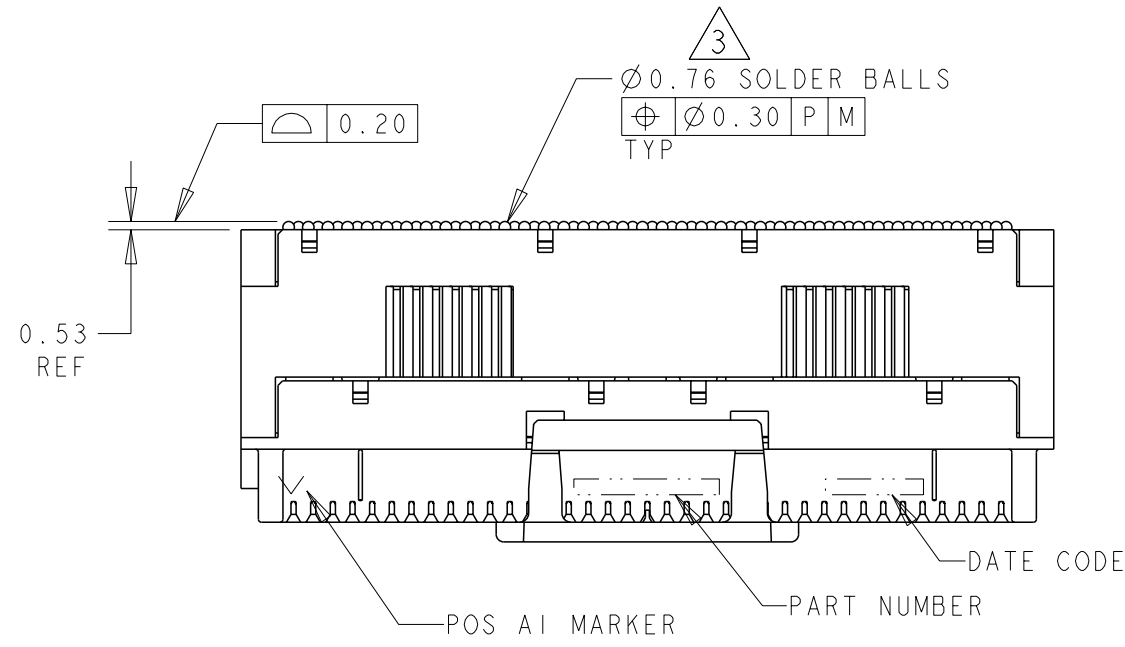
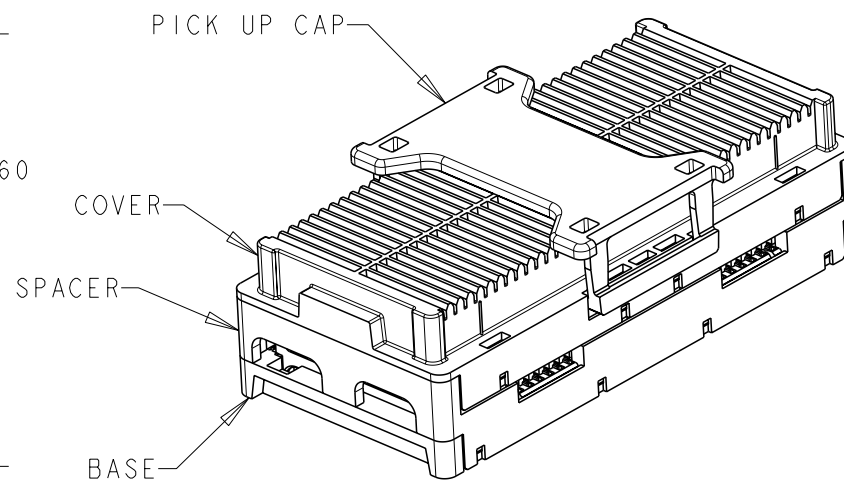
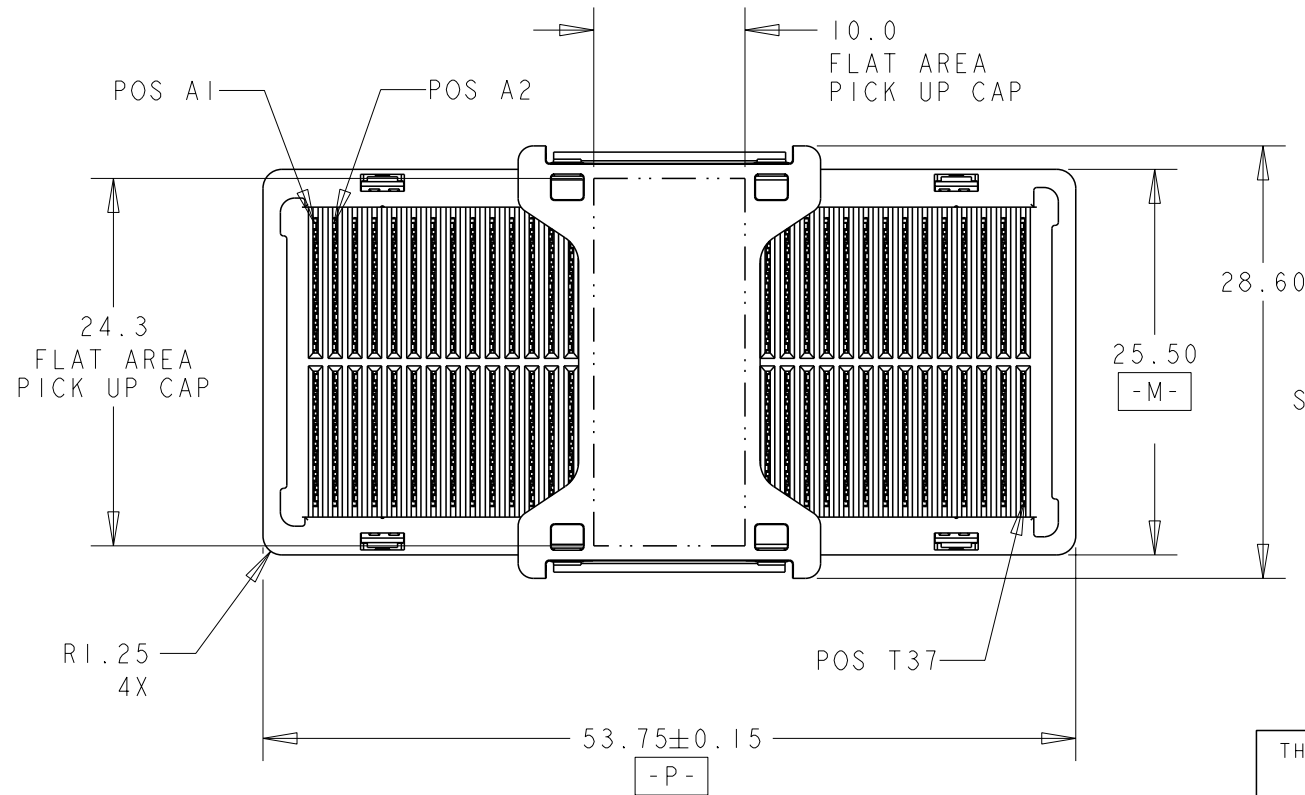


P	LTR	DESCRIPTION	DATE	DWN	APVD
B5		REVISED PER ECO-20-017117	25APR2021	AP	RW

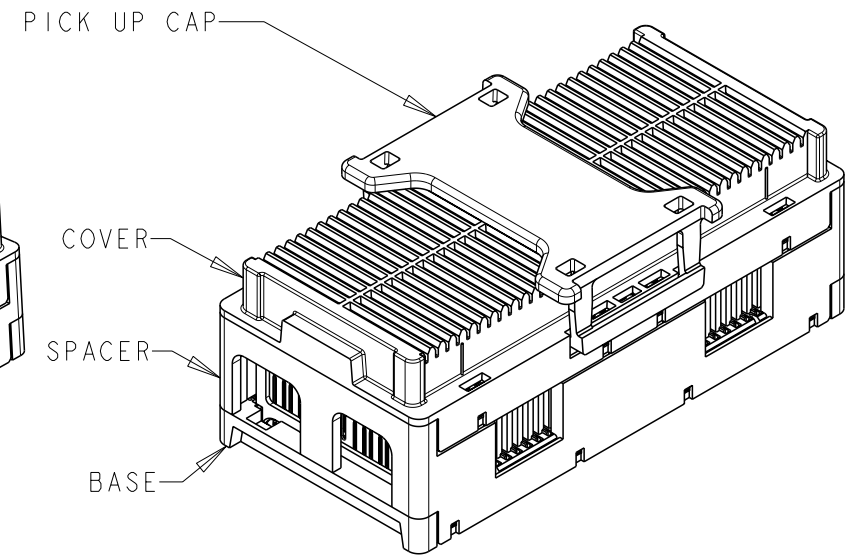


**TYPICAL ASSEMBLY**  
 15mm SHOWN  
 SCALE 2:1

ISOMETRIC VIEW  
 TYPICAL CONFIGURATION  
 FOR 5mm ASSEMBLY  
 SCALE 3:2



ISOMETRIC VIEW  
 TYPICAL CONFIGURATION  
 FOR 11mm ASSEMBLY  
 SCALE 3:2



ISOMETRIC VIEW  
 TYPICAL CONFIGURATION  
 FOR 15mm ASSEMBLY  
 SCALE 3:2

THIS DRAWING IS A CONTROLLED DOCUMENT.

DIMENSIONS: mm	TOLERANCES UNLESS OTHERWISE SPECIFIED:
	0 PLC ±-
	1 PLC ±0.3
	2 PLC ±0.10
	3 PLC ±0.050
	4 PLC ±-
	ANGLES ±2°
MATERIAL 	FINISH 

DWN P BRANDBERG 11 JAN 05	TE Connectivity
CHK D WERTZ 12 JAN 05	
APVD D WERTZ 12 JAN 05	NAME STEP-Z RECEPTACLE ASSEMBLY, 296 SIGNAL POSITION
PRODUCT SPEC 108-2143	SIZE A3
APPLICATION SPEC 114-13101	CAGE CODE 300779
WEIGHT	DRAWING NO C-1761617
CUSTOMER DRAWING	RESTRICTED TO

TE Connectivity	
NAME STEP-Z RECEPTACLE ASSEMBLY, 296 SIGNAL POSITION	
SIZE A3	CAGE CODE 300779
DRAWING NO C-1761617	RESTRICTED TO
SCALE 2:1	SHEET 1 OF 4
	REV B5

REVISIONS

P	LTR	DESCRIPTION	DATE	DWN	APVD
	-	SEE SHEET 1	-	-	-

1 MATERIAL:  
 BASE, SPACER, COVER: THERMOPLASTIC  
 PICK UP CAP: THERMOPLASTIC  
 CONTACT: COPPER ALLOY  
 SOLDER BALL: Sn/Pb FOR P/N 1761615-1 THRU 5-1761615-0  
 Sn/Ag FOR P/N 5-1761615-1 THRU 9-1761615-9

2 FINISH:  
 CONTACT: 0.00076 MIN GOLD OVER 0.00127 MIN NICKEL.  
 (30µ" MIN GOLD OVER 50µ" MIN NICKEL)


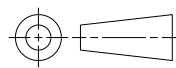
3 SOLDER BALLS WILL NOT BE PERFECT  
 SPHERICAL SHAPE DUE TO REFLOW ATTACHMENT.

4 CONTACTS IN ROWS A,C,E,G,J,K,M,P,R, AND T  
 ARE SINGLE BEAM CONTACTS,  
 TYPICALLY USED AS GROUND PINS.  
 (NOTE: CONTACTS IN ROWS J & K ARE TIED  
 TOGETHER [COMMONED]).

5 CONTACTS IN ROWS B,D,F,H,L,N,Q, AND S  
 ARE DUAL BEAM CONTACTS,  
 TYPICALLY USED AS SIGNAL PINS.

6 SPECIFIED POSITIONAL TOLERANCE DEFINES PAD TO PAD  
 LOCATION WITHIN LAND PATTERN. POSITIONAL TOLERANCE  
 OF LAND PATTERN TO FUDICIAL MARKS OR PCB DATUMS  
 SHALL BE DEFINED BY CUSTOMER. FOR RECOMMENDED  
 PRODUCT APPLICATION AND PCB DESIGN DETAILS, SEE  
 APPLICATION SPEC 114-13101.

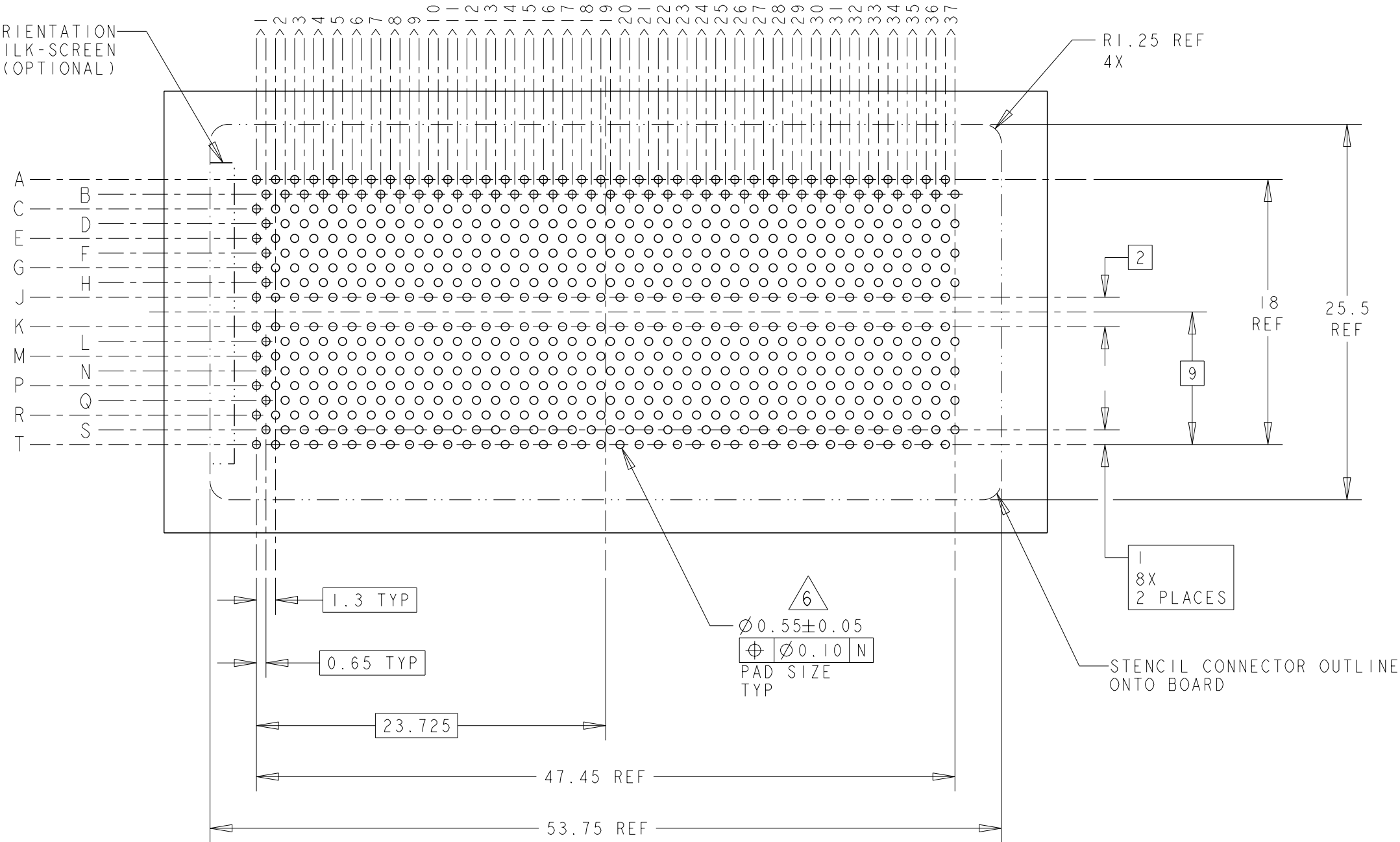
	DIM H	DIM G	LOAD STYLE	DESCRIPTION	PART NUMBER
	14.51	20.65	-	15mm Sn/Ag	6-1761617-5
	10.51	16.65	-	11mm Sn/Ag	6-1761617-1
	4.51	10.65	-	5mm Sn/Ag	5-1761617-5
OBSOLETE	14.51	20.65	-	15mm Sn/Pb	<del>1-1761617-5</del>
	10.51	16.65	-	11mm Sn/Pb	<del>1-1761617-1</del>
	4.51	10.65	-	5mm Sn/Pb	<del>1761617-5</del>

THIS DRAWING IS A CONTROLLED DOCUMENT.		DWN P BRANDBERG 11 JAN05	 TE Connectivity	
DIMENSIONS: mm		CHK D WERTZ 12 JAN05		
		APVD D WERTZ 12 JAN05	NAME STEP-Z RECEPTACLE ASSEMBLY, 296 SIGNAL POSITION	
TOLERANCES UNLESS OTHERWISE SPECIFIED: 0 PLC ±- 1 PLC ±0.3 2 PLC ±0.10 3 PLC ±0.050 4 PLC ±- ANGLES ±2°		PRODUCT SPEC -	-	
MATERIAL -		FINISH -	APPLICATION SPEC -	RESTRICTED TO
		WEIGHT -	SIZE A3	CAGE CODE 00779
		CUSTOMER DRAWING	DRAWING NO 1761617	REV B5
			SCALE 1:1	SHEET 2 OF 4

printed on 25 Apr 2021 19:02 from FRO19828

P	LTR	DESCRIPTION	DATE	DWN	APVD
-	-	SEE SHEET 1	-	-	-

KEY ORIENTATION  
SILK-SCREEN  
(OPTIONAL)



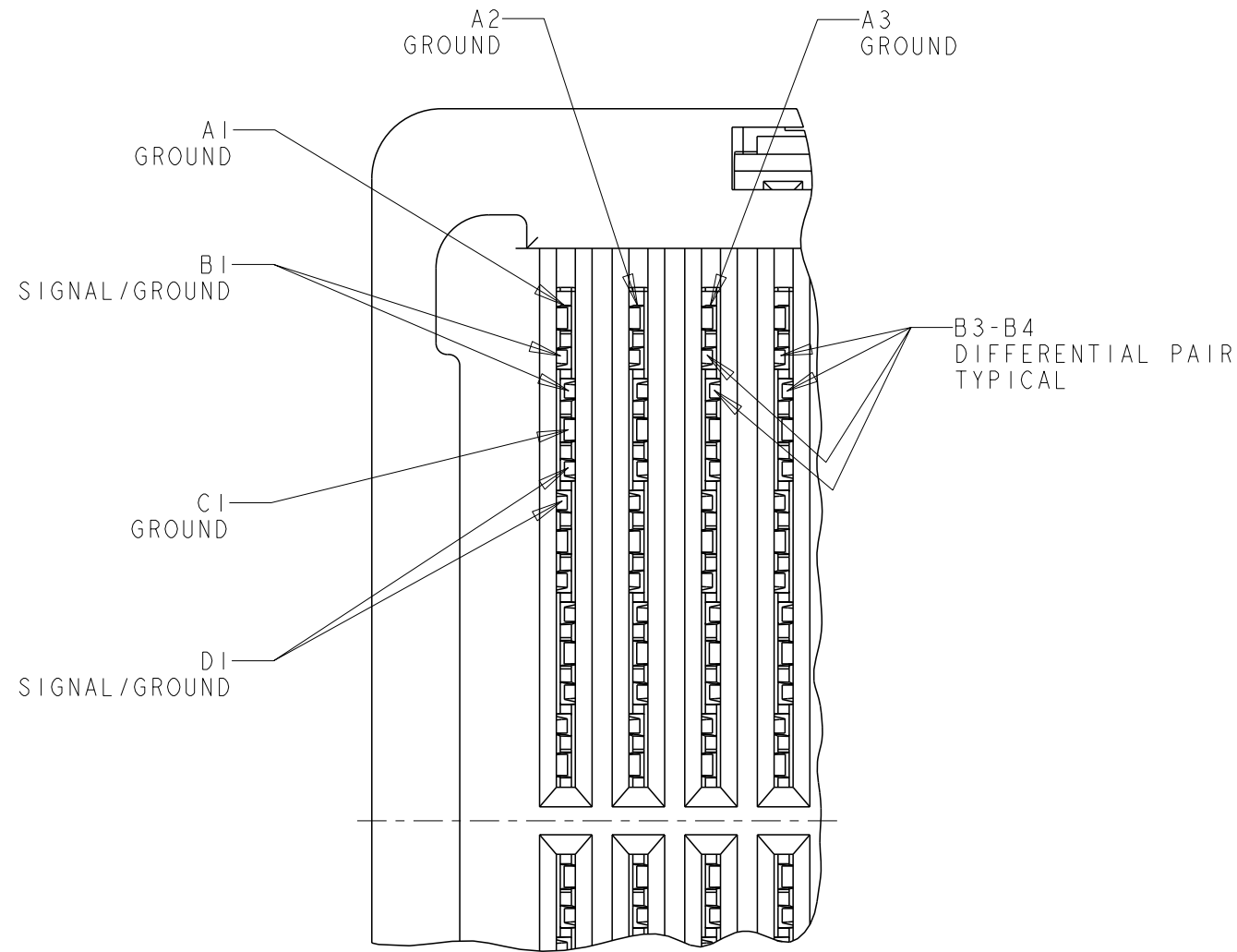
4 5 **BOARD PATTERN**  
SCALE 3:1

THIS DRAWING IS A CONTROLLED DOCUMENT.		DWN P BRANDBERG 11JAN05		TE Connectivity NAME STEP-Z RECEPTACLE ASSEMBLY, 296 SIGNAL POSITION	
DIMENSIONS: mm		CHK D WERTZ 12JAN05			
TOLERANCES UNLESS OTHERWISE SPECIFIED: 0 PLC ±- 1 PLC ±0.3 2 PLC ±0.10 3 PLC ±0.050 4 PLC ANGLES ±- ±2°		APVD D WERTZ 12JAN05			
		PRODUCT SPEC -			
MATERIAL -		APPLICATION SPEC -		RESTRICTED TO	
FINISH -		WEIGHT -		SIZE A300779 CAGE CODE C-1761617	
		CUSTOMER DRAWING		SCALE 1:1 SHEET 3 OF 4 REV B5	

Printed on 25 Apr 2021 19:02 from FRO19828

REVISIONS

P	LTR	DESCRIPTION	DATE	DWN	APVD
-		SEE SHEET 1	-	-	-



RECEPTACLE INTERFACE

SCALE 8:1

THIS DRAWING IS A CONTROLLED DOCUMENT.

DIMENSIONS: mm	
MATERIAL -	

TOLERANCES UNLESS OTHERWISE SPECIFIED:	
0 PLC	±-
1 PLC	±0.3
2 PLC	±0.10
3 PLC	±0.050
4 PLC	±-
ANGLES	±2°
FINISH -	

DWN	P BRANDBERG	11 JAN 05
CHK	D WERTZ	12 JAN 05
APVD	D WERTZ	12 JAN 05
PRODUCT SPEC	-	
APPLICATION SPEC	-	
WEIGHT	-	
CUSTOMER DRAWING		

		NAME		RESTRICTED TO
		STEP-Z RECEPTACLE ASSEMBLY, 296 SIGNAL POSITION		
SIZE	CAGE CODE	DRAWING NO		
A3	00779	C-1761617		
SCALE		1:1	SHEET	4 OF 4
			REV	B5

printed on 25 Apr 2021 19:02 from FRO19828

单击下面可查看定价，库存，交付和生命周期等信息

[>>TE Connectivity\(泰科\)](#)