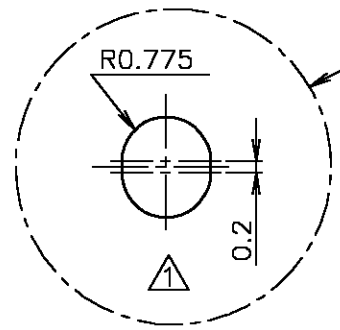
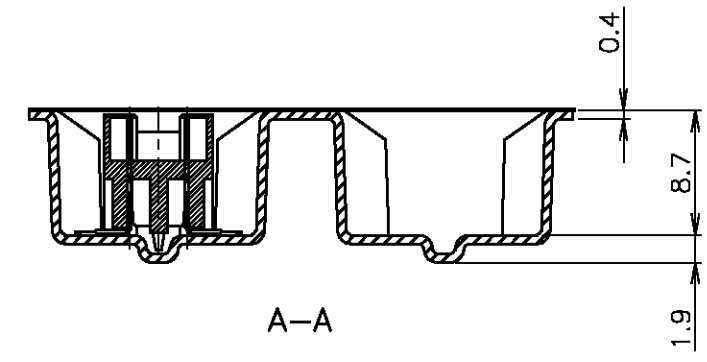
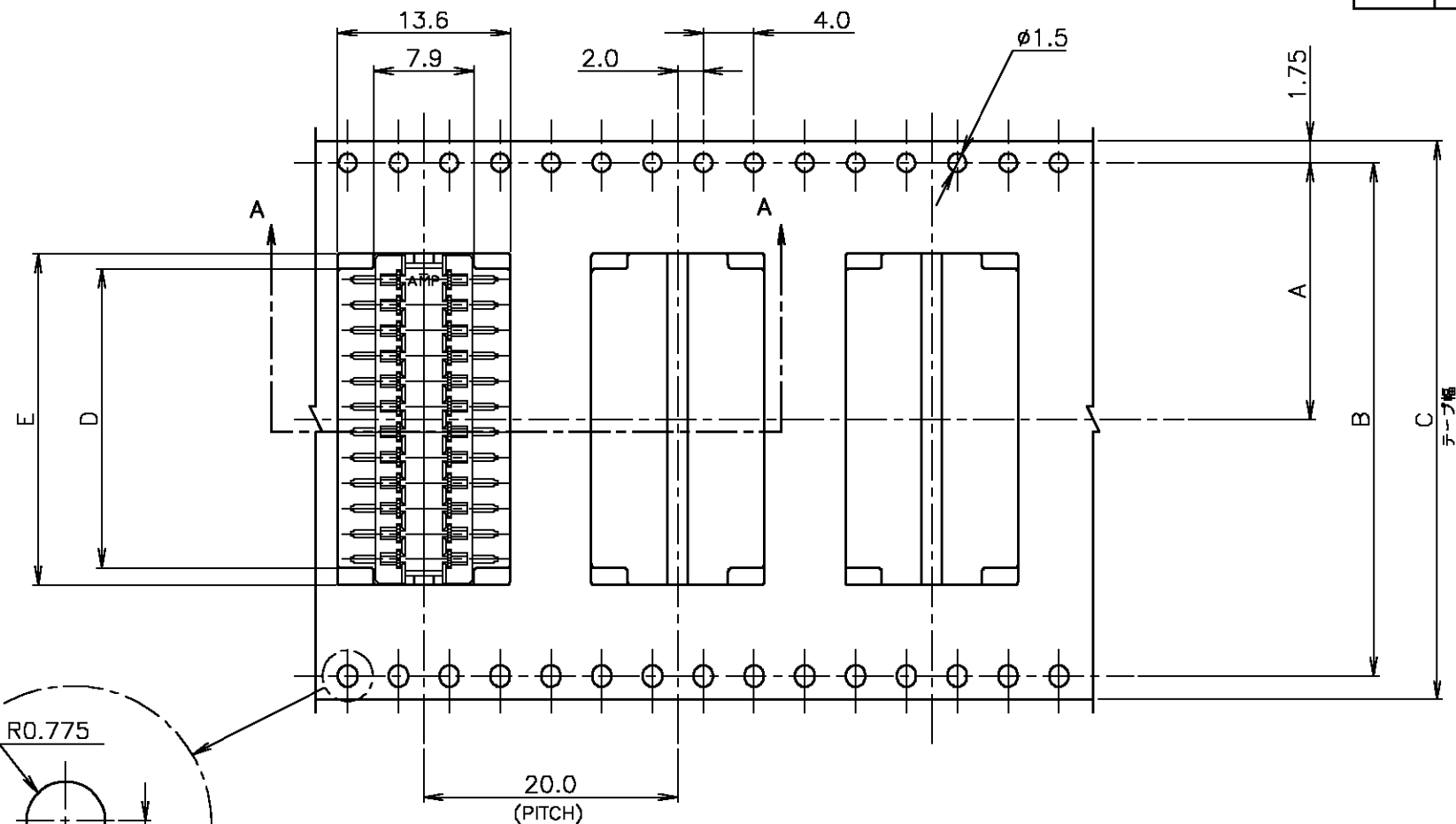


THIS DRAWING IS UNPUBLISHED. RELEASED FOR PUBLICATION  
 © COPYRIGHT BY TYCO ELECTRONICS CORPORATION. ALL RIGHTS RESERVED.

LOC	DIST	REVISIONS			
P	LTR	DESCRIPTION	DATE	DWN	APVD
J		REVISED FJBO-0346-03	28APR03	T.K	Y.Y

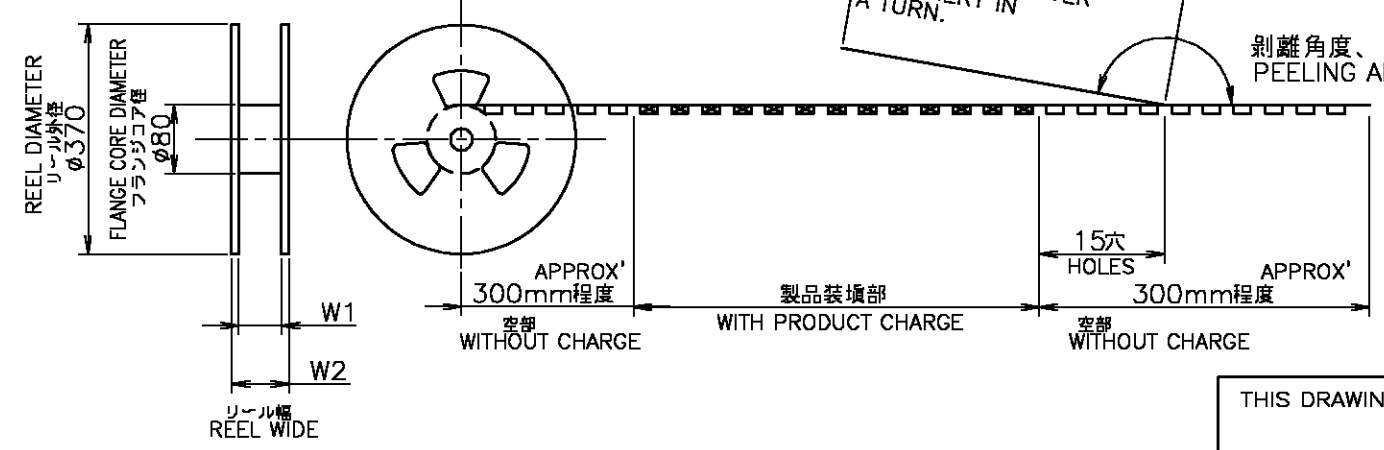


注記  
 △ 指示穴は30極品のみ適用  
 2. リセコンタクト仕上げ:ニッケル下地 錫めっき

引出し方向  
 TOP OF REEL →

NOTES  
 △ THESE HOLES ARE APPLIED TO 30 Pos. ONLY.  
 2. REC CONTACT FINISH :  
 TIN PLATING, Ni UNDER PL. ALL OVER

カバーテープ  
 リーダー部  
 外周一巻  
 WEEDING THE COVER TAPE  
 AROUND THE OUTER  
 PERIPHERY IN  
 A TURN.  
 剥離角度、165° ~ 180°  
 PEELING ANGLE.



49.5	45.5	32.1	29.6	44	40.4	20.2	400	30	3-179870-0	3-179871-0
29.5	25.5	12.1	9.6	24	---	11.5	400	10	1-179870-0	1-179871-0
W2	W1	E	D	C	B	A	数量 (ヶ) QTY/REEL	極数 Pos.	コネクタ型番 (パラ抜) CONNECTOR P/N (L/P)	リール巻 コネクタ型番 TAPING P/N

THIS DRAWING IS A CONTROLLED DOCUMENT.

DWN	K.SAKAWA	29JUN94		Tyco Electronics AMP K.K.	
CHK	S.KUBOUCHI	30JUN94		Kawasaki, Japan	
APVD	S.KUBOUCHI	30JUN94		NAME	
DIMENSIONS: MM			PRODUCT SPEC	2.0 A-F CONN. REC ASSEMBLY ON TAPING (WITH BOSS)	
TOLERANCES UNLESS OTHERWISE SPECIFIED:			APPLICATION SPEC	SIZE	RESTRICTED TO
0-PLC ± 1-PLC ± 2-PLC ± 3-PLC ± 4-PLC ± ANGLES ±			WEIGHT	CAGE CODE	DRAWING NO
MATERIAL			FINISH	A3 00779	179871
100µM ±0.2 300µM ±0.25 1000µM ±0.3 1.0 ±0.3			CUSTOMER DRAWING	SCALE	SHEET
				NTS	1 OF 1
					REV A

单击下面可查看定价，库存，交付和生命周期等信息

[>>TE Connectivity\(泰科\)](#)