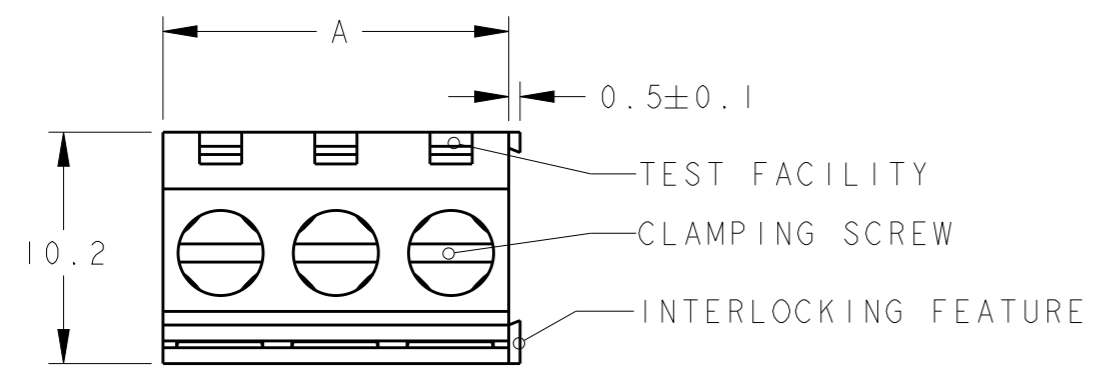


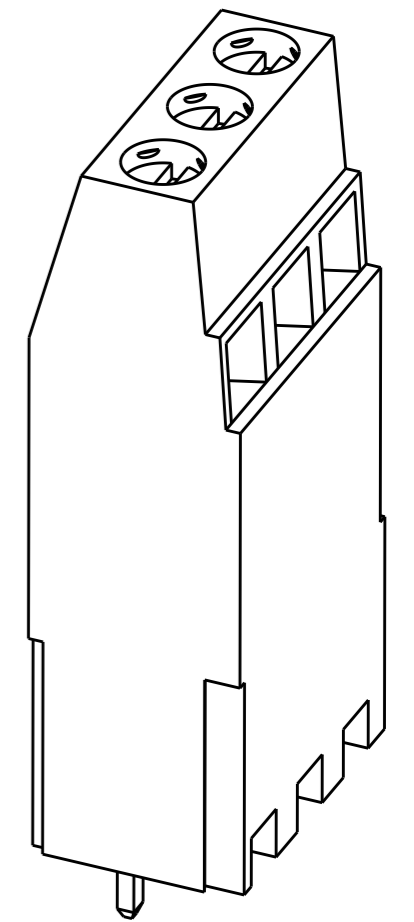
THIS DRAWING IS UNPUBLISHED. RELEASED FOR PUBLICATION 20
 © COPYRIGHT 20 BY - ALL RIGHTS RESERVED.

REVISIONS					
P	LTR	DESCRIPTION	DATE	DWN	APVD
	D	REVISED PER ECO-14-016226	31OCT2014	NK	MM

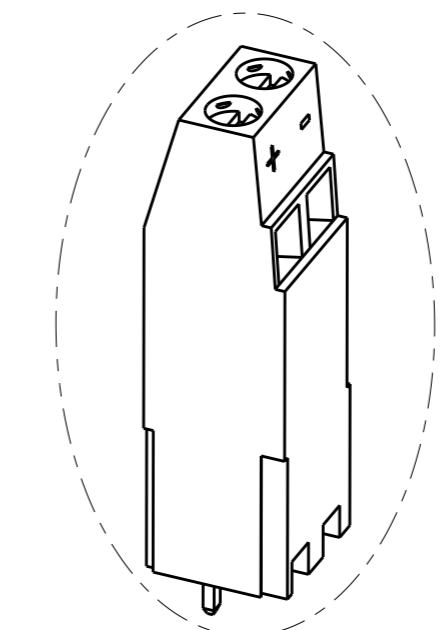
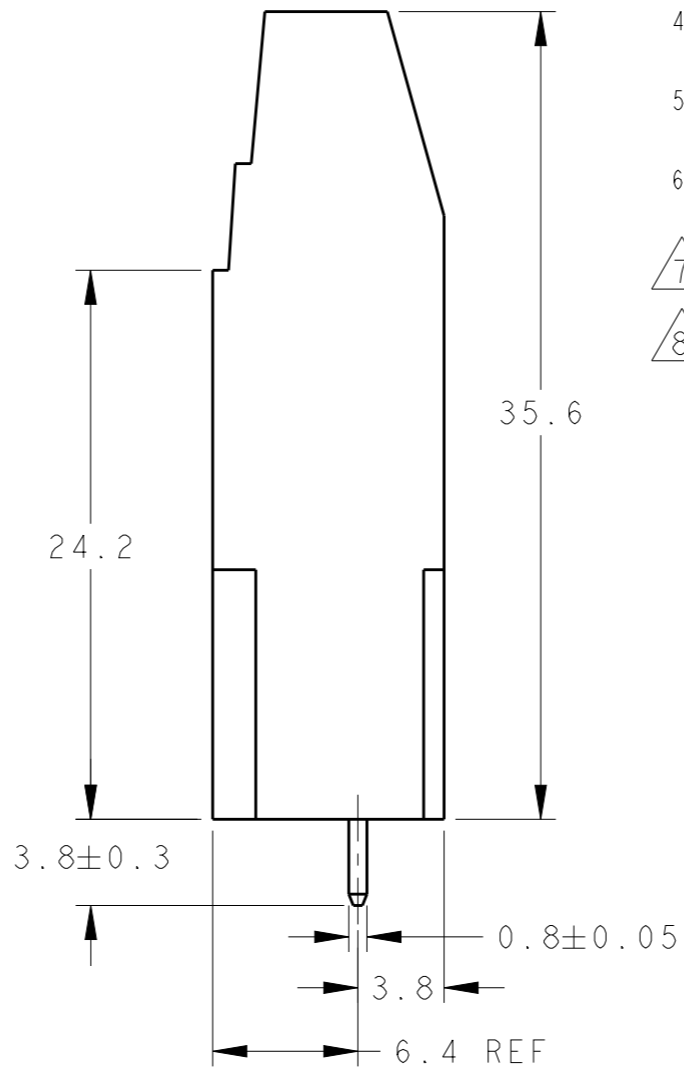
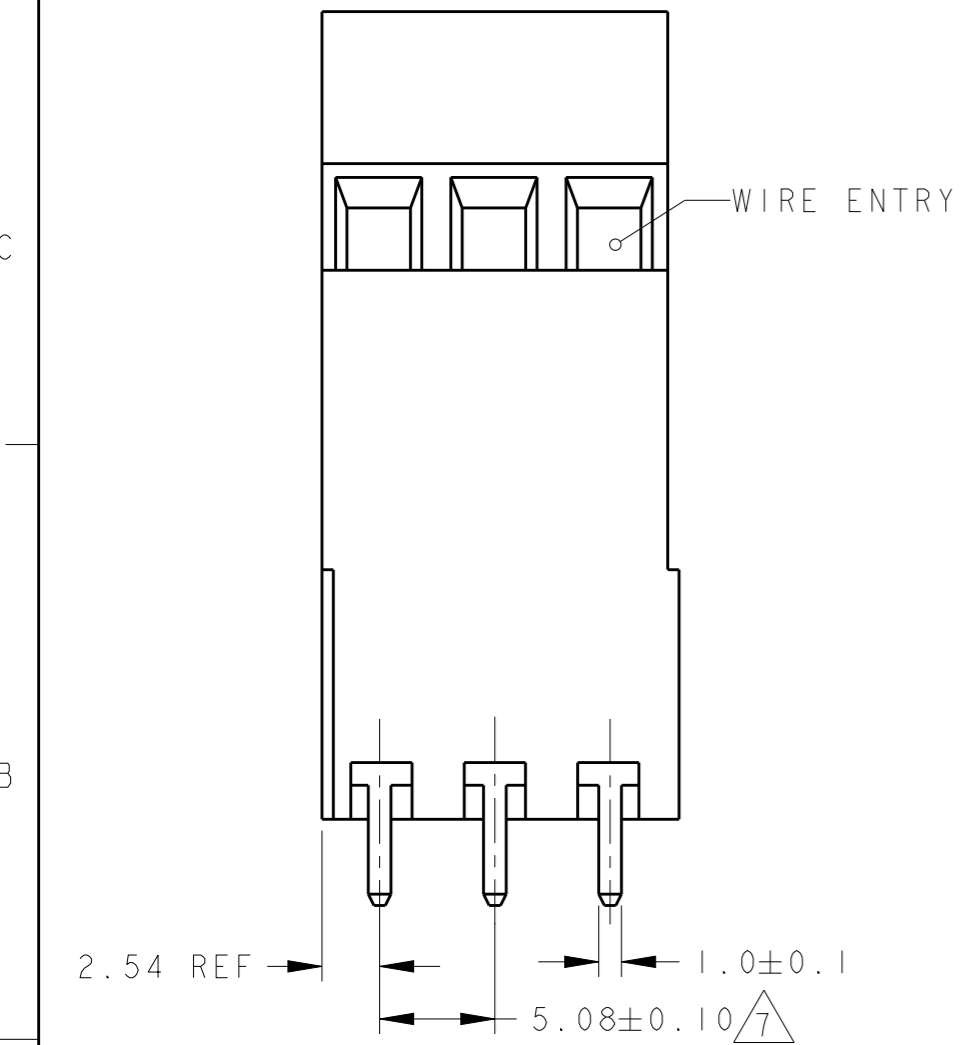


- 1 MATERIALS AND FINISH
 HOUSING: PA 6-6, UL 94-V0, COLOR GREEN.
 CLAMP: BRASS, NICKEL PLATED.
 TERMINAL: BRASS, TIN PLATED.
 CLAMPING SCREW: M3, BRASS, NICKEL PLATED.
- 2 SUITABLE FOR 1,6-2,4mm PC BOARD THICKNESS.
- 3 END-TO-END STACKABLE W/INTERLOCK WITHOUT LOSS OF CENTERLINE SPACING.
- 4 WIRE SIZE RANGE
 12 - 30 AWG
- 5 RECOGNIZED UNDER THE COMPONENT PROGRAM OF UNDERWRITERS LABORATORIES INC., FILE N° E60677.
- 6 IMQ CERTIFICATE WITH SURVEILLANCE IN CONFORMITY WITH IEC 998-1/998-2-1.

- 7 NOT CUMULATIVE TOLERANCE.
- 8 SPECIAL INK MARKING, BLACK COLOR (SEE DETAIL)



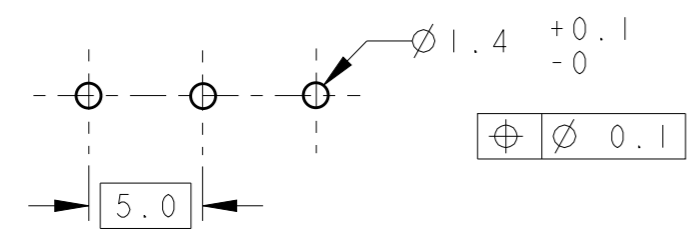
282905-3 AS SHOWN



2-282905-2 AS SHOWN

DIM. A	NO OF POS.	PART NUMBER
10.16	2	2-282905-2
15.24	3	282905-3
10.16	2	282905-2

RECOMMENDED PC BOARD LAYOUT



THIS DRAWING IS A CONTROLLED DOCUMENT.		DWN 07NOV2001 E. ZANOLINI		TE Connectivity	
DIMENSIONS: mm		CHK 07NOV2001 D. BIEVENOUR			
TOLERANCES UNLESS OTHERWISE SPECIFIED:		APVD 07NOV2001 D. BIEVENOUR		NAME TERMINAL BLOCK, PCB MOUNT	
0 PLC ±-		PRODUCT SPEC 108-20166		3RD LEVEL	
1 PLC ±.3		APPLICATION SPEC 114-20079		STACKING W/INTERLOCK, 5.08mm. PITCH	
2 PLC ±.25		WEIGHT -		SIZE A3	CAGE CODE -
3 PLC ±-		CUSTOMER DRAWING		DRAWING NO C-282905	RESTRICTED TO -
4 PLC ±-		FINISH		SCALE 3:1	SHEET 1 OF 1
ANGLES ±2°				REV D	

单击下面可查看定价，库存，交付和生命周期等信息

[>>TE Connectivity\(泰科\)](#)