

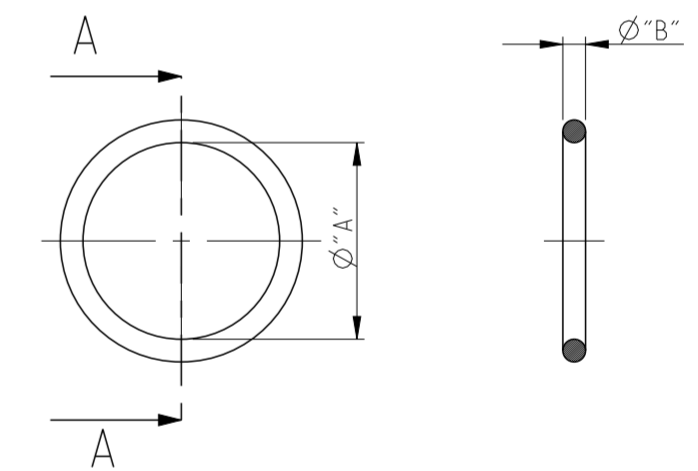
THIS DRAWING IS UNPUBLISHED. RELEASED FOR PUBLICATION
 © COPYRIGHT 1997 ALL RIGHTS RESERVED.

LOC	DIST	REVISIONS					
		P	LTR	DESCRIPTION	DATE	DWN	APVD
A1	-	G11		ECR-16-016696	11SEP2017	GR	MKO
		G12		ECR-16-016780	15NOV2017	GR	MKO
		G13		ECR-17-014011	27MAR2018	SG	MKO
		G14		ECR-18-009334	21DEC2018	SR	MKO

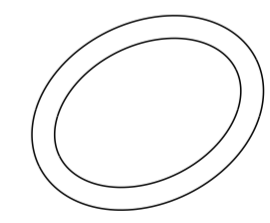
PART NO	A	B	NBR	2	FKM	3	EPDM COND	4	SERIES	NOTE
9-9	28.0	2.5	X	-	-	-	EMV-K3/4	-		
9-4	3.5	1	X	-	-	-	AIR	-		
9-3	4.5	1.5	X	-	-	-	AIR	-	OBSOLETE	
9-2	47.7	3.5	X	-	-	-	AM-3P	-		
9-1	11.0	1.0	X	-	-	-	AM-1P	-		
8-2	54.0	3.0	X	-	-	-	AM-3P	-		
8-1	50.0	3.0	X	-	-	-	AS-1P	-		
7-6	168.0	3.0	X	-	-	-	AM-4P	-		
7-2	50.0	2.0	-	X	-	-	Pg42	-		
7-1	50.0	2.0	X	-	-	-	Pg42	-	OBSOLETE	
6-6	135.0	3.0	X	-	-	-	AM-4P	-		
6-2	44.0	2.0	-	X	-	-	Pg36	-		
6-1	44.0	2.0	X	-	-	-	Pg36	-		
5-6	5.0	1.0	X	-	-	-	MDC	-		
5-3	7.0	3.0	X	-	-	-	AG-M6	-		
5-2	34.0	2.0	-	X	-	-	Pg29	COLOR GREY	OBSOLETE	
5-1	34.0	2.0	X	-	-	-	Pg29	-		
4-6	12.5	2.5	X	-	-	-	MDC	-		
4-4	98.0	3.0	-	-	X	-	HP/EMV 24	-	OBSOLETE	
4-3	98.0	3.0	X	-	-	-	ABB-S0	-		
4-2	26.0	2.0	-	X	-	-	Pg21	-		
4-1	26.0	2.0	X	-	-	-	Pg21	-		
3-6	24.0	3.0	X	-	-	-	MDC	-		
3-5	64.0	3.0	X	-	-	-	AH-1P	-		
3-4	80.0	3.0	-	-	X	-	HP/EMV 16	-	OBSOLETE	
3-3	80.0	3.0	X	-	-	-	AK-1P	-		
3-2	20.0	1.5	-	X	-	-	Pg16	COLOR GREY		
3-1	20.0	1.5	X	-	-	-	Pg16	-		
2-6	250.0	3.0	X	-	-	-	MDC	-		
2-5	38.0	3.0	X	-	-	-	AH-1P	-	OBSOLETE	
2-4	67.0	2.8	-	-	X	-	HP/EMV10	-		
2-3	67.0	2.8	X	-	-	-	HP/EMV10	-		
2-2	18.0	1.5	-	X	-	-	Pg13.5	-		
2-1	18.0	1.5	X	-	-	-	Pg13.5	-	OBSOLETE	
1-9	20.0	1.25	-	X	-	-	HC 26	BLACK		
1-8	20.0	1.0	-	X	-	-	HC26	BLACK	OBSOLETE	
1-7	4.0	1.0	-	X	-	-	ARR1	-		
1-6	330	5.0	X	-	-	-	MDC	-		
1-5	19.0	1.8	X	-	-	-	Pg-Stv	-	OBSOLETE	
1-4	59.0	3.0	-	-	X	-	HP/EMV6	-		
1-3	59.0	3.0	X	-	-	-	HP/EMV6	-		
1-2	16.0	1.5	-	X	-	-	Pg11	-	OBSOLETE	
1-1	16.0	1.5	X	-	-	-	Pg11	-		
1-0	23.0	1.0	-	X	-	-	HC26	COLOR BLUE	OBSOLETE	
0-9	23.52	1.78	-	X	-	-	HC25	-		
0-8	26	1.5	-	X	-	-	HC26	COLOR BLUE	OBSOLETE	
0-7	40	2.5	X	-	-	-	HW-G	-		
0-6	25.0	1.5	X	-	-	-	ALM	COLOR BLACK		
0-5	17.5	1.5	-	X	-	-	HC20	COLOR BLUE		
0-4	17	1.0	-	X	-	-	HC20	COLOR BLUE		
0-3	21.2	2.65	-	X	-	-	HF-1-EMV-K	-		
0-2	3.0	1.0	X	-	-	-	HA-EMV-K	-		
0-1	13.0	1.5	X	-	-	-	Pg 09	-		

NOTES


- PARTS SHALL BE FREE AND CLEAN OF SHARP EDGES AND ALL OTHER FOREIGN MATERIAL NO LOOSE BURRS PERMITTED.
- NBR, 70°±5° SHORE A, BLACK, ACC .TO DIN 3770
- FKM, 70°±5° SHORE A, TEMPERATURE RANGE -30 °C / +200 °C
- EPDM, 65°±5° SHORE A, BLACK, ELECTRICAL CONDUCTIVE, RESISTIVITY: 8.05 x 10³ OHMS PER CM
- PACKAGING PN 0-1, 1000 PIECES MAX. IN A BOX



A-A



SCALE 2:1

THIS DRAWING IS A CONTROLLED DOCUMENT.		DWN Rösgen 26.05.1999	 TE Connectivity	
DIMENSIONS: mm		CHK Schweiger 26.05.1999		
TOLERANCES UNLESS OTHERWISE SPECIFIED:		APVD -	NAME O-Ring	
0 PLC ±		PRODUCT SPEC -	-	
1 PLC ±		APPLICATION SPEC -	-	
2 PLC ±		WEIGHT -	SIZE A2	
3 PLC ±		SCALE 4:1	CAGE CODE 00779	
4 PLC ±		SHEET 1 OF 1	DRAWING NO C-1106053	
ANGLES ±		RESTRICTED TO	REV G14	
FINISH		CUSTOMER DRAWING		

单击下面可查看定价，库存，交付和生命周期等信息

[>>TE Connectivity\(泰科\)](#)