

THIS DRAWING IS UNPUBLISHED.

RELEASED FOR PUBLICATION

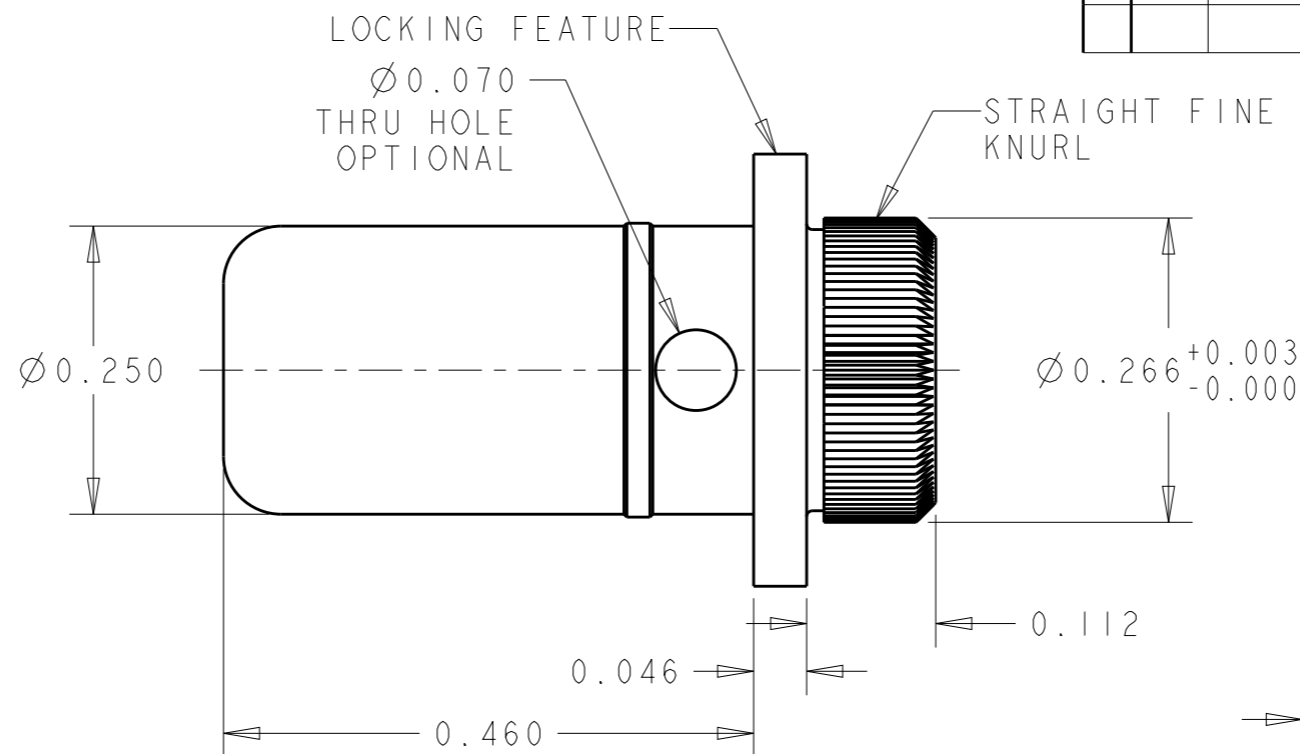
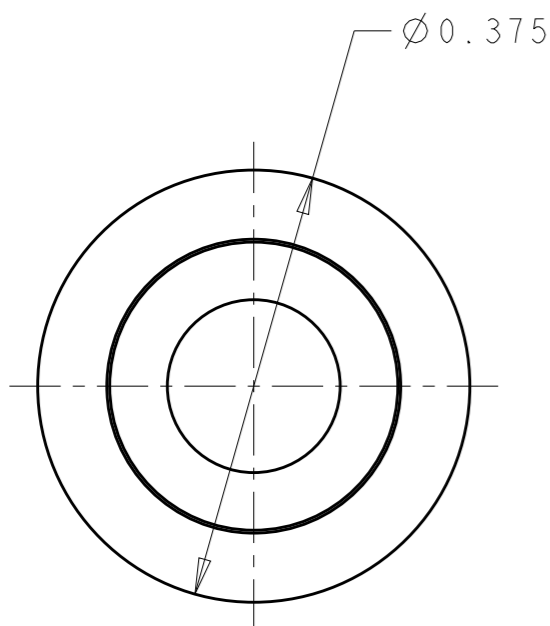
20

© COPYRIGHT 20 BY -

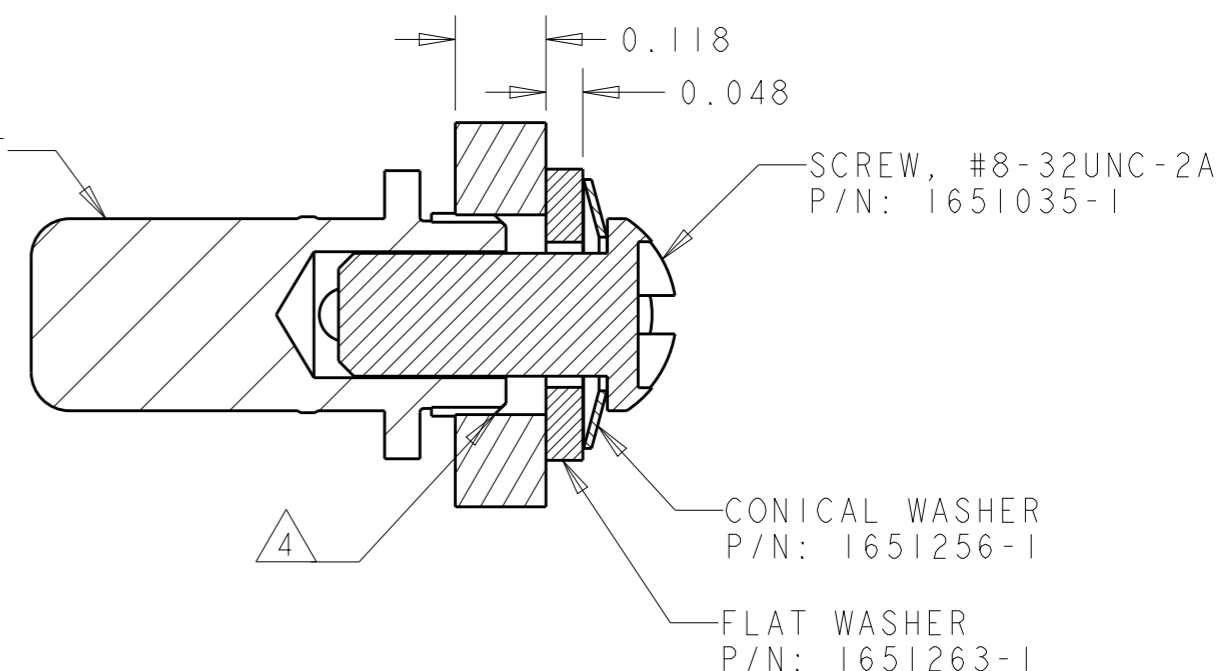
ALL RIGHTS RESERVED.

REVISIONS

P	LTR	DESCRIPTION	DATE	DWN	APVD
	A	RELEASED	01DEC2011	RG	DO
	B	REVISED PER ECR-16-001405.	01FEB2016	RS	SZ



PIN CONTACT  
P/N: 2085957-1



ASSEMBLY DETAIL

1. ITEMS PROVIDED TO THIS SPECIFICATION SHALL BE IDENTIFIED ON THE CONTAINER WITH THE FOLLOWING INFORMATION:  
PART NUMBER & DATE CODE OF MANUFACTURE.

2 MATERIAL: PIN CONTACT: COPPER ALLOY  
CONICAL WASHER: SPRING STEEL  
SCREW & FLAT WASH.: STEEL

3 FINISH: PIN CONTACT: SILVER PLATE .000100 MIN THICK  
OVER NICKEL .000050 MIN THICK.  
SCREW: NICKEL PLATE  
CONICAL & FLAT WASH.: NICKEL PLATE

4 RECOMMENDED HOLE DIAMETER AFTER PLATING:  
Ø .260+.003/.001.

2085958-1  
PART NUMBER

THIS DRAWING IS A CONTROLLED DOCUMENT.		DWN R.GRZYBOWSKI 30NOV2011	<b>STE</b> TE Connectivity	
DIMENSIONS: INCHES		CHK D.ORRIS 30NOV2011		
TOLERANCES UNLESS OTHERWISE SPECIFIED:		APVD D.ORRIS 30NOV2011	NAME PIN CONTACT, SIZ4 #4, SCREW MOUNT, LOCKING STYLE, PRESS FIT	
0 PLC ±-		PRODUCT SPEC 108-64019	SIZE A3	
1 PLC ±-		APPLICATION SPEC 114-64005	CAGE CODE 00779	DRAWING NO C-2085958
2 PLC ±.02		WEIGHT -	RESTRICTED TO -	
3 PLC ±.010		CUSTOMER DRAWING		
4 PLC ±-		SCALE 1:1		
ANGLES ±.5		SHEET 1 OF 1		
FINISH		REV B		

单击下面可查看定价，库存，交付和生命周期等信息

[>>TE Connectivity\(泰科\)](#)