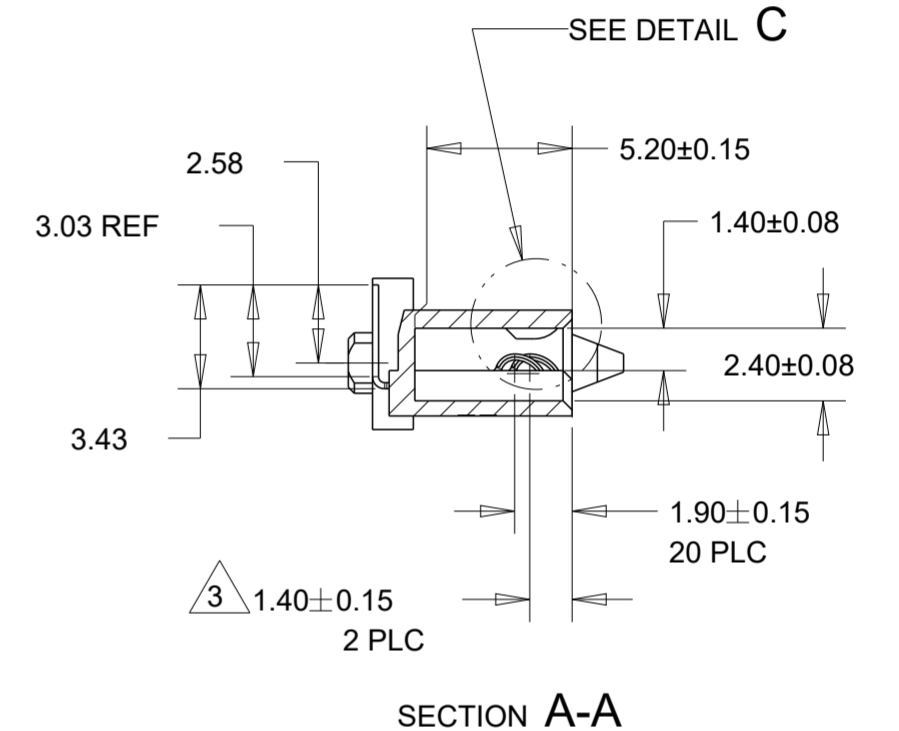
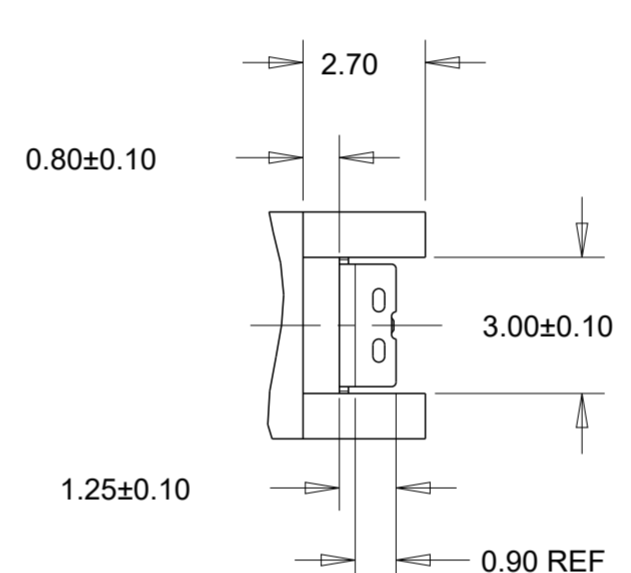
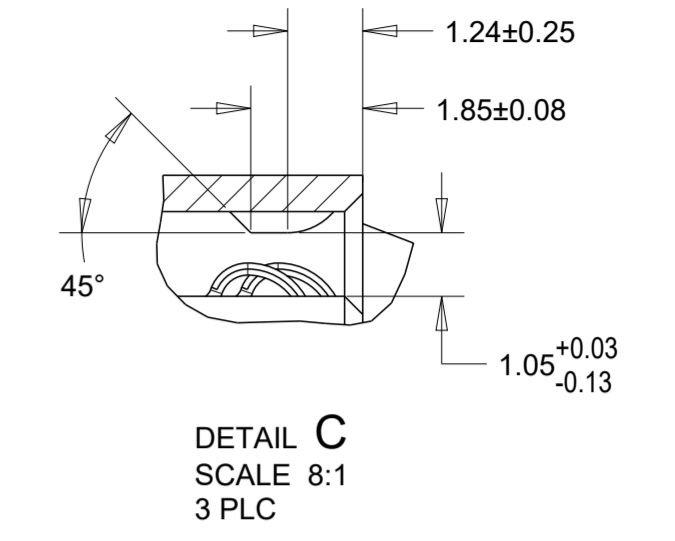
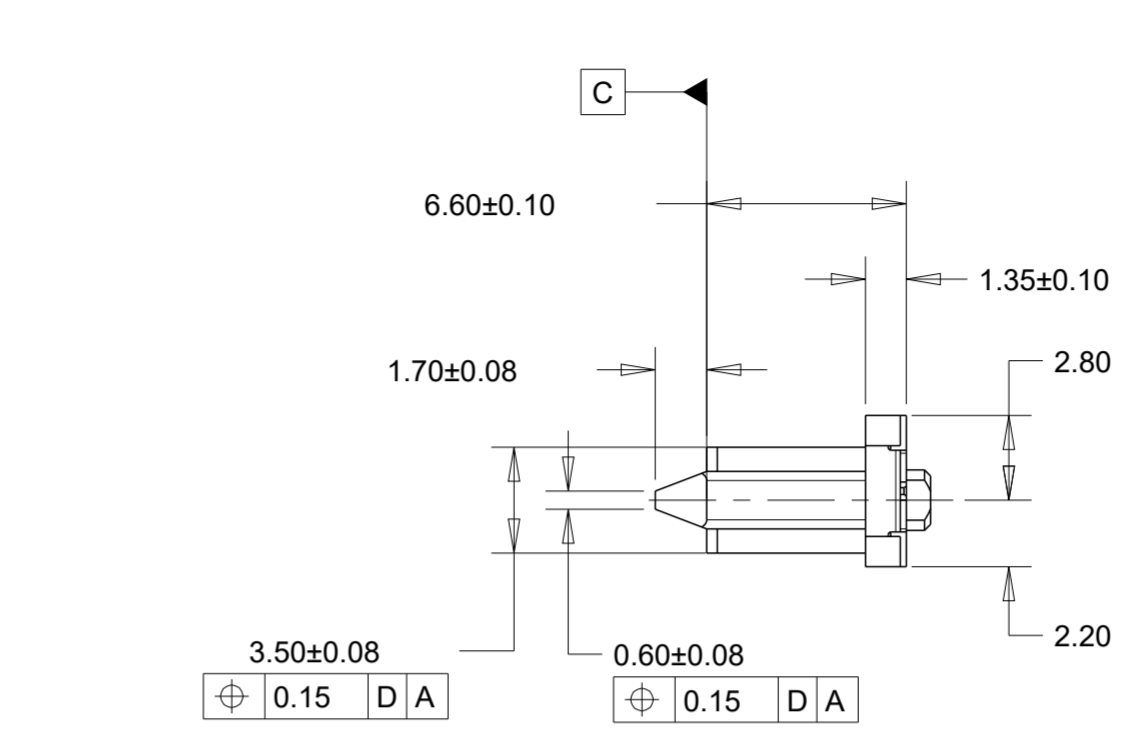
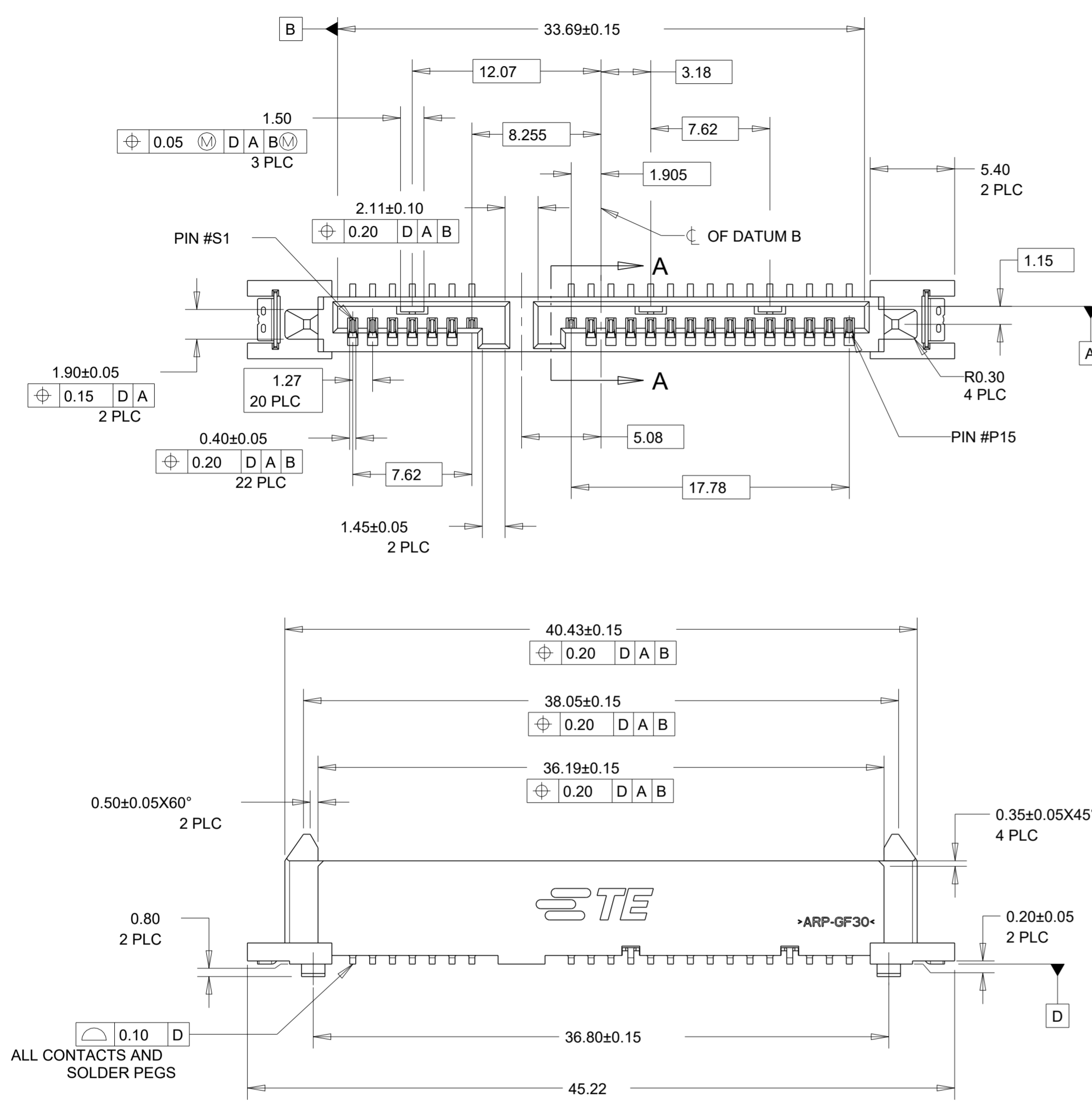


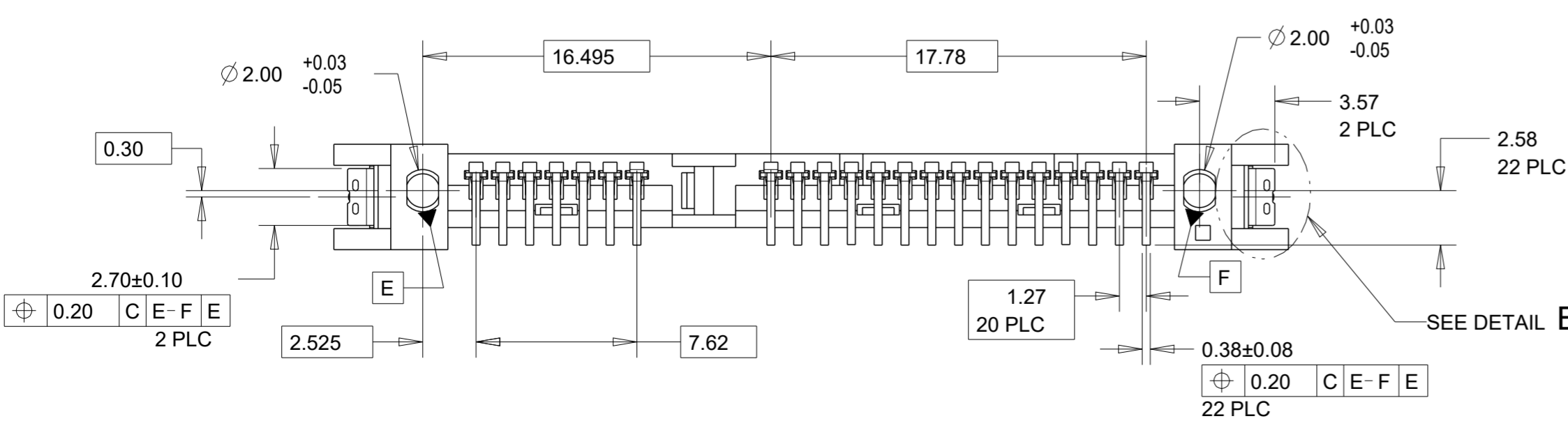
THIS DRAWING IS UNPUBLISHED. RELEASED FOR PUBLICATION 20  
 © COPYRIGHT 20 BY - ALL RIGHTS RESERVED.

LOC		DIST		REVISIONS			
P	LTR	DESCRIPTION	DATE	DWN	APVD		
	B	REVISED ECR-19-007126	28 MAY 2019	E.Z	W.H		



NOTES:

- 1 MATERIAL:  
 HOUSING: HIGH TEMP THERMOPLASTIC, UL94V-0, BLACK  
 PICK-UP CAP: HIGH TEMP THERMOPLASTIC, UL94V-0, NATURE  
 CONTACT: COPPER ALLOY  
 SOLDER PEG: COPPER ALLOY
- 2 FINISH:  
 CONTACT MATING AREA: GOLD FLASH PLATING  
 CONTACT SOLDER TAIL: GOLD FLASH PLATING  
 SOLDER PEG: MIN 2.54um MATTE TIN PLATING  
 UNDERPLATE: MIN 1.27um NICKEL PLATING
- 3 PIN #P4 AND #P12 ONLY
- 4 DATECODE (YYWW) COLD STAMPED AT APPROXIMATE LOCATION
- 5. PACKAGING: TAPE & REEL. QTY/REEL: 280PCS

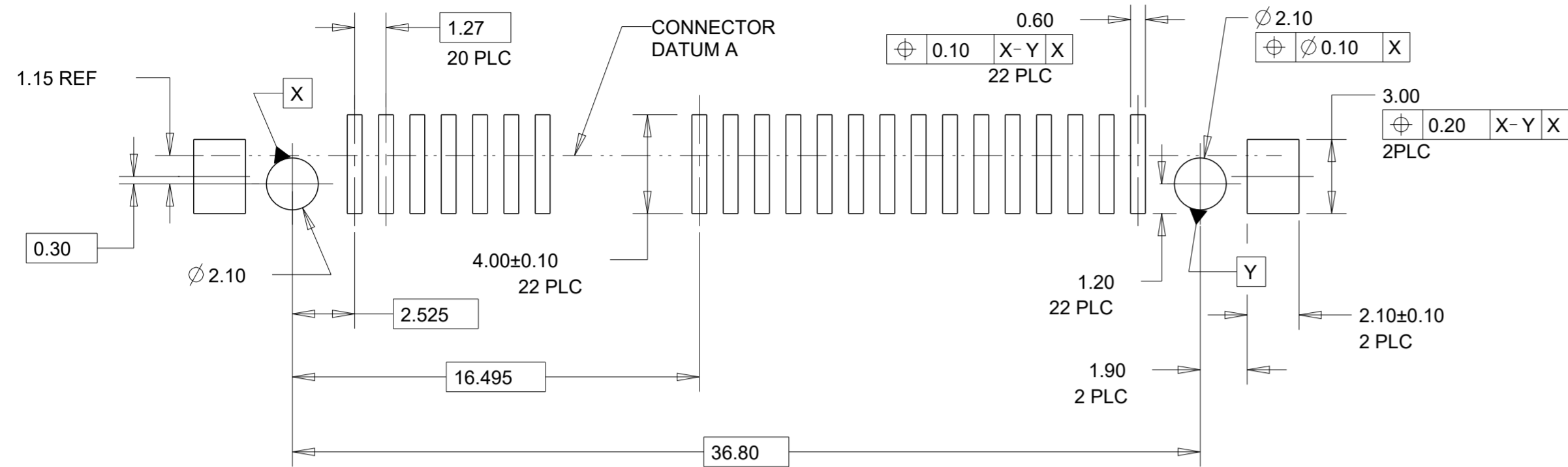


AS SHOWN WITHOUT PICK-UP CAP

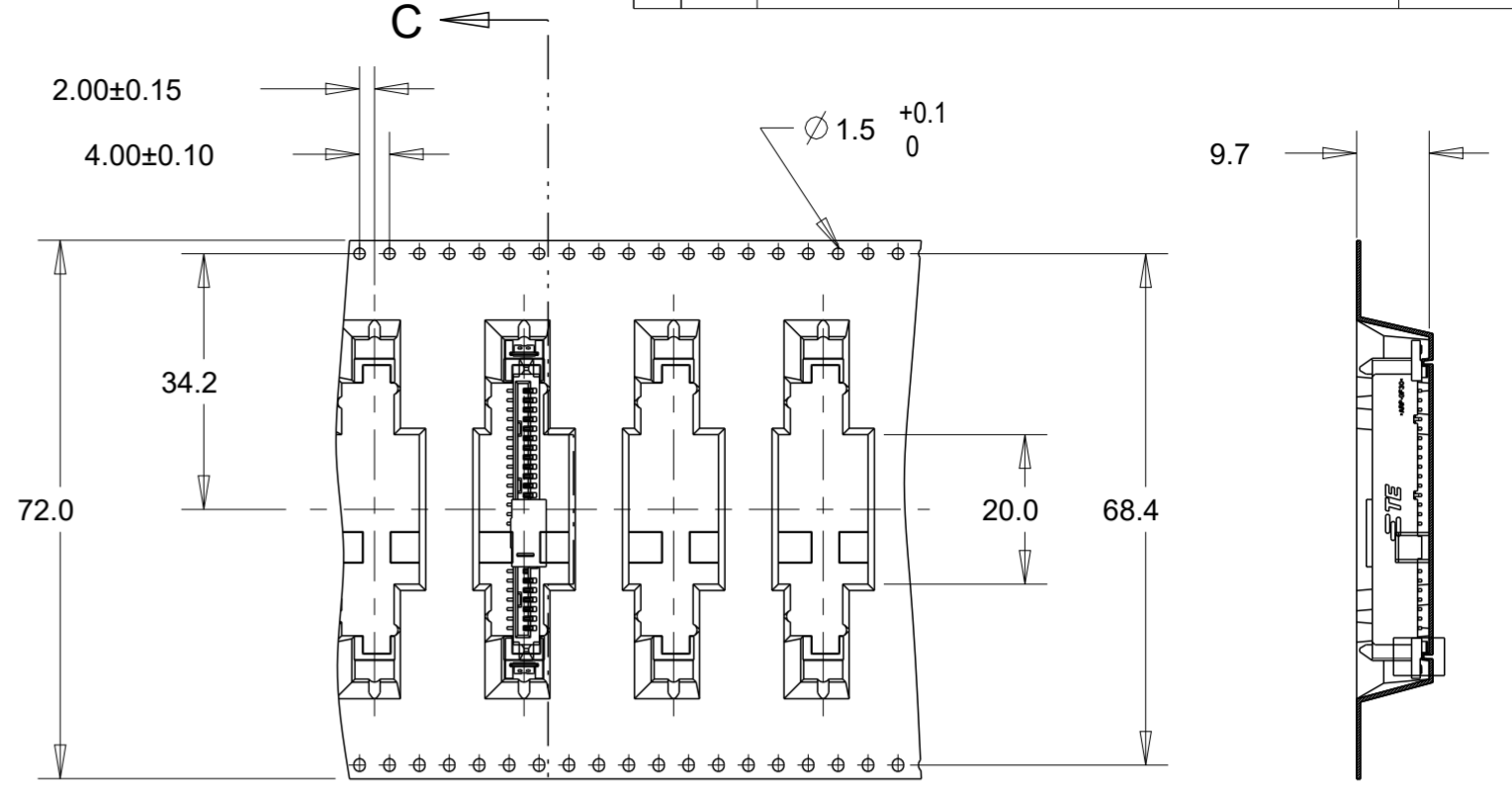
THIS DRAWING IS A CONTROLLED DOCUMENT.		DWN SK LEAW 28JUL2011	TE Connectivity Singapore	
DIMENSIONS: mm		CHK SF LEONG 19SEP2011		
TOLERANCES UNLESS OTHERWISE SPECIFIED:		APVD SF LEONG 19SEP2011	NAME SATA BACKPLANE RECEPTACLE, VERTICAL, SMT LOW PROFILE	
0 PLC ±		PRODUCT SPEC 108-51111	SIZE A2	
1 PLC ±		APPLICATION SPEC	CAGE CODE 00779	
2 PLC ±0.20		WEIGHT	DRAWING NO C-1735944	
3 PLC ±		CUSTOMER DRAWING		
4 PLC ±		SCALE 4:1		
ANGLES ±3°		SHEET 1 OF 2		
FINISH		REV B		

THIS DRAWING IS UNPUBLISHED. RELEASED FOR PUBLICATION 20  
 © COPYRIGHT 20 BY - ALL RIGHTS RESERVED.

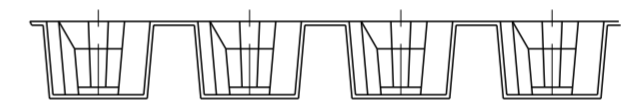
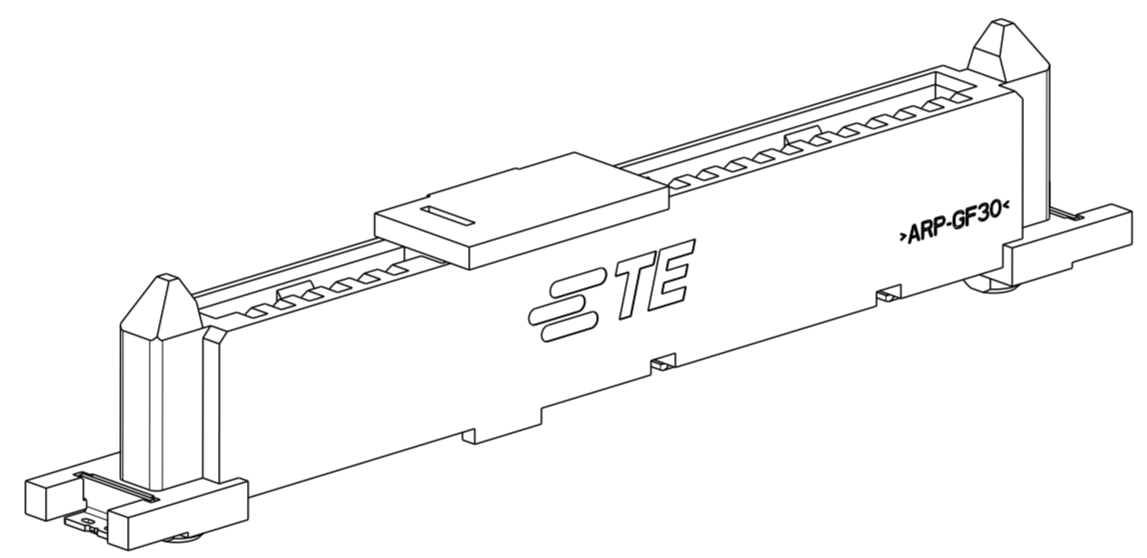
LOC		DIST		REVISIONS			
P	LTR	DESCRIPTION	DATE	DWN	APVD		
DY	-	SEE SHEET 1	-	-	-	-	-



RECOMMENDED PCB LAYOUT  
 GENERAL TOLERANCE ± 0.05  
 SCALE 5:1



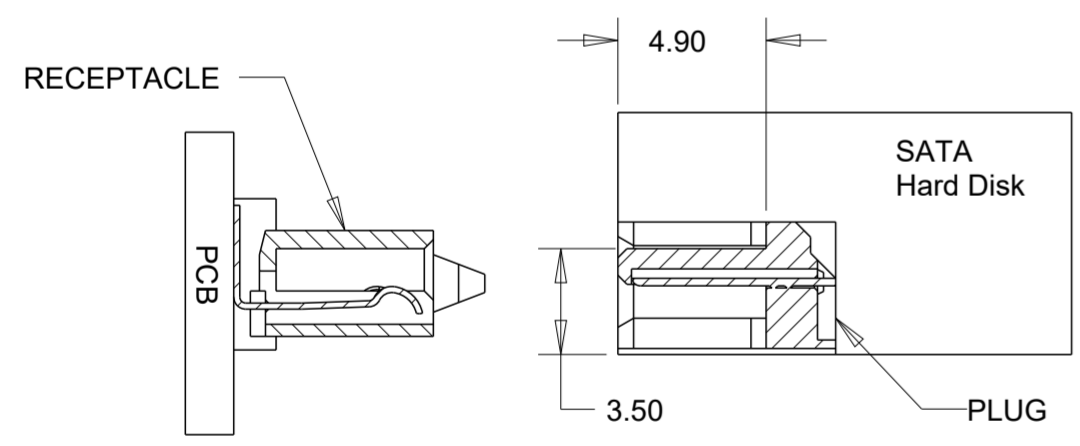
SECTION C-C



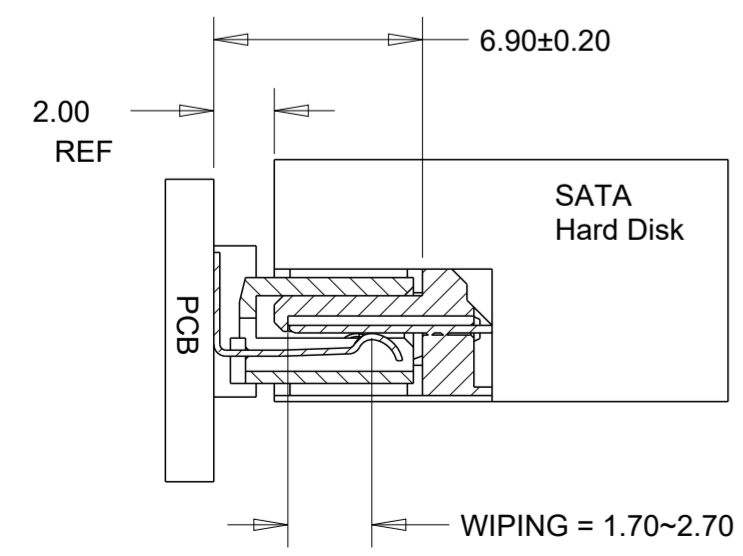
SCALE 1:1

CUSTOMER DE-REEL DIRECTION

MATING X-SECTION WITH HDD



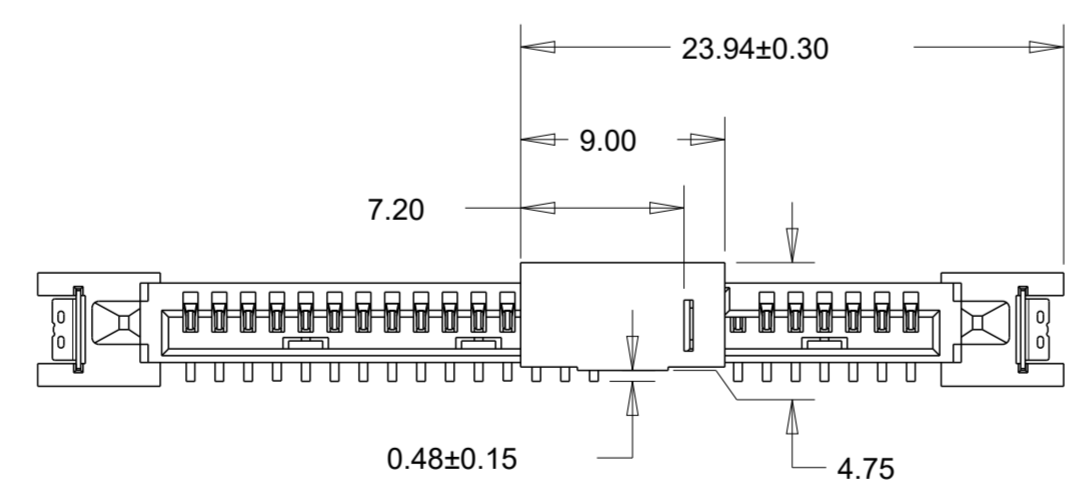
BEFORE MATING



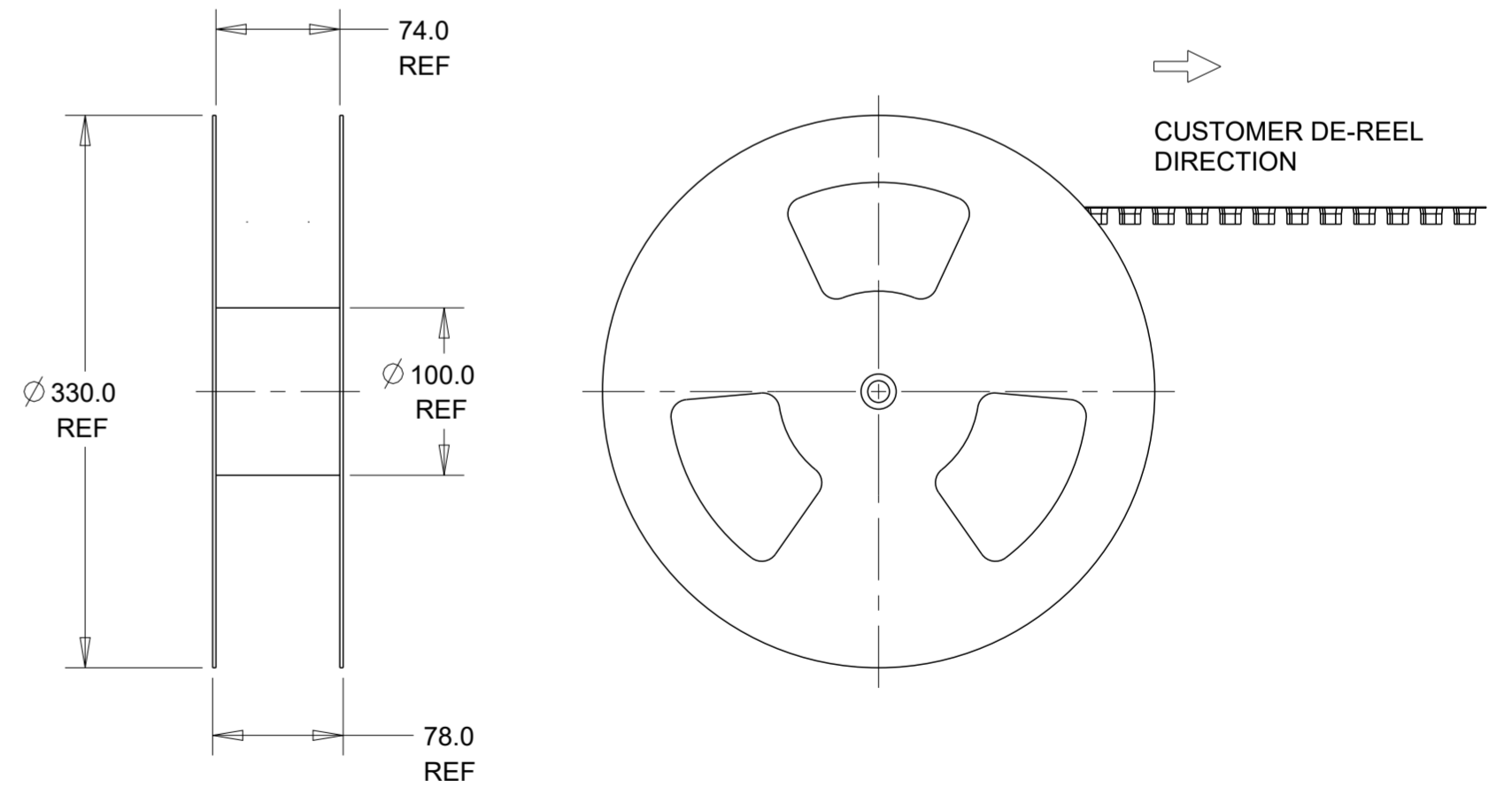
AFTER MATING

WIPING = 1.70~2.70 REF

AS SHOWN WITH PICK-UP CAP



SCALE 3:1



THIS DRAWING IS A CONTROLLED DOCUMENT.		DWN SK LEAW 28JUL2011	TE Connectivity Singapore	
DIMENSIONS: mm		CHK SF LEONG 19SEP2011		
TOLERANCES UNLESS OTHERWISE SPECIFIED:		APVD SF LEONG 19SEP2011	NAME	
0 PLC ±	1 PLC ±	PRODUCT SPEC	SATA BACKPLANE RECEPTACLE, VERTICAL, SMT LOW PROFILE	
2 PLC ±0.20	3 PLC ±	APPLICATION SPEC	SIZE	CAGE CODE
4 PLC ±	ANGLES ±3°	FINISH	A2	00779
MATERIAL		WEIGHT	DRAWING NO	RESTRICTED TO
			C-1735944	
		CUSTOMER DRAWING	SCALE 2:1	SHEET 2 OF 2
				REV B

单击下面可查看定价，库存，交付和生命周期等信息

[>>TE Connectivity\(泰科\)](#)