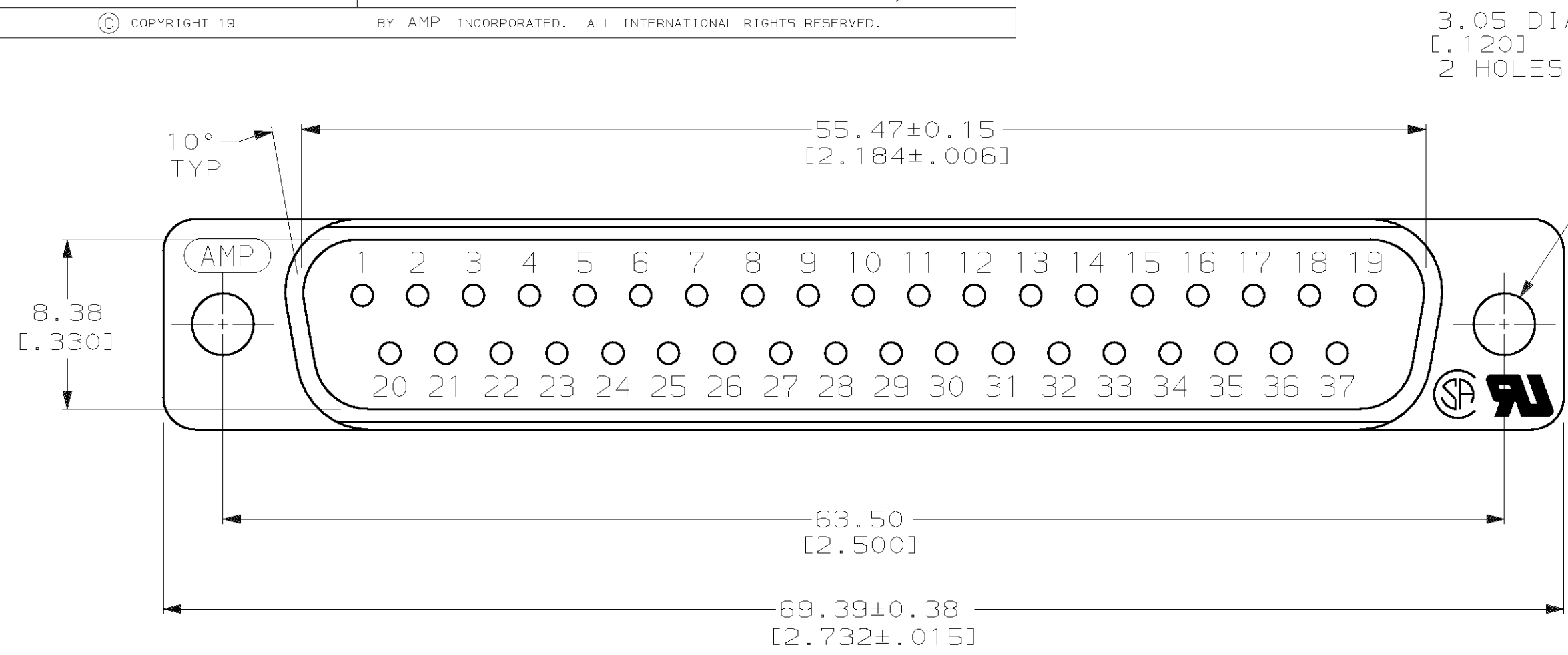
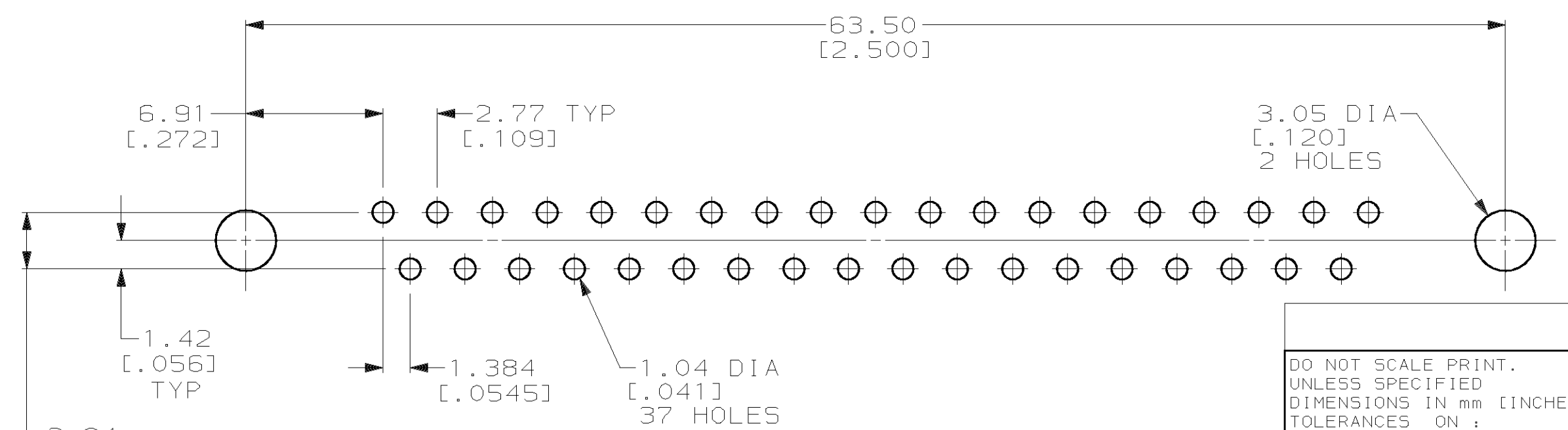
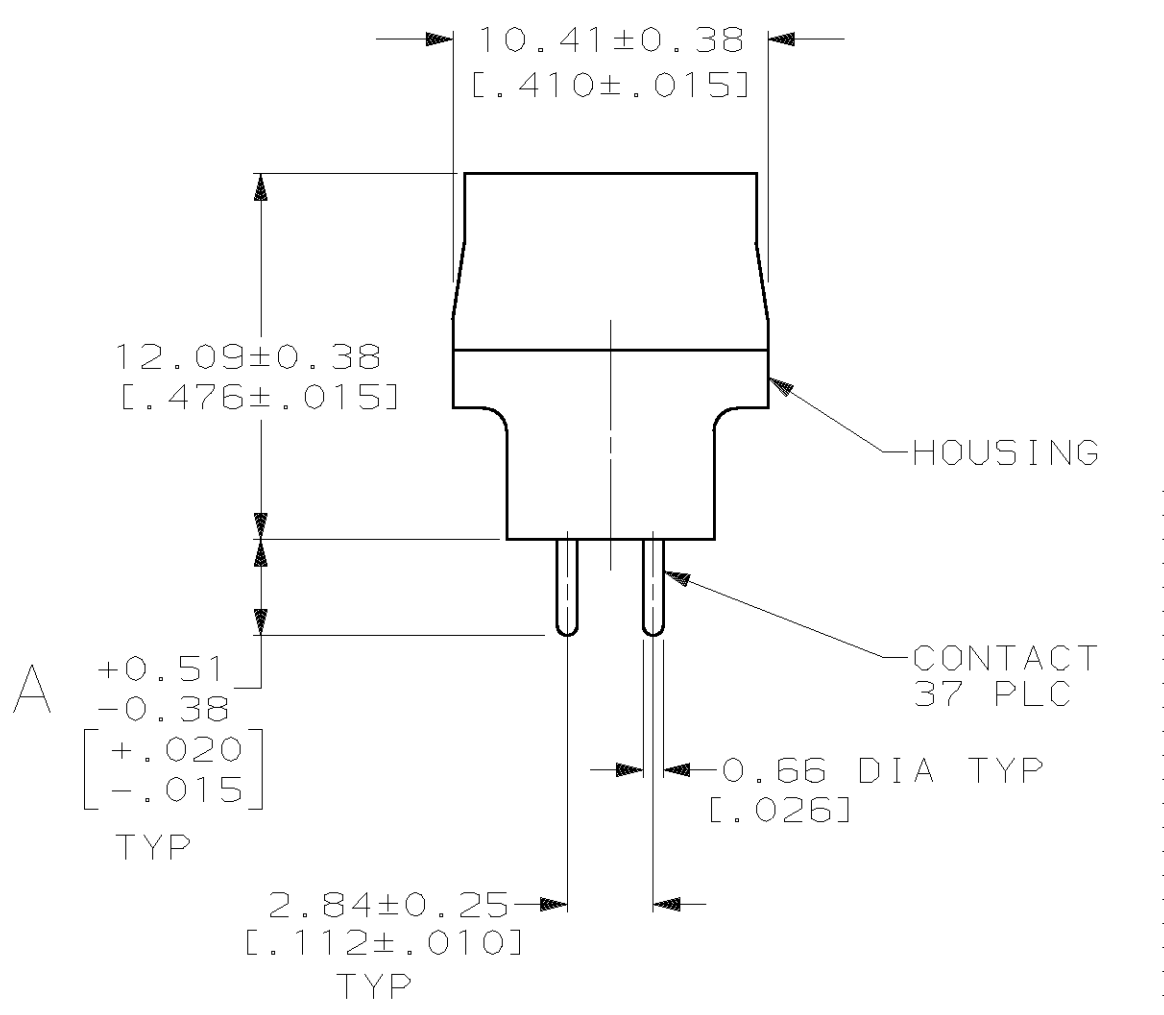
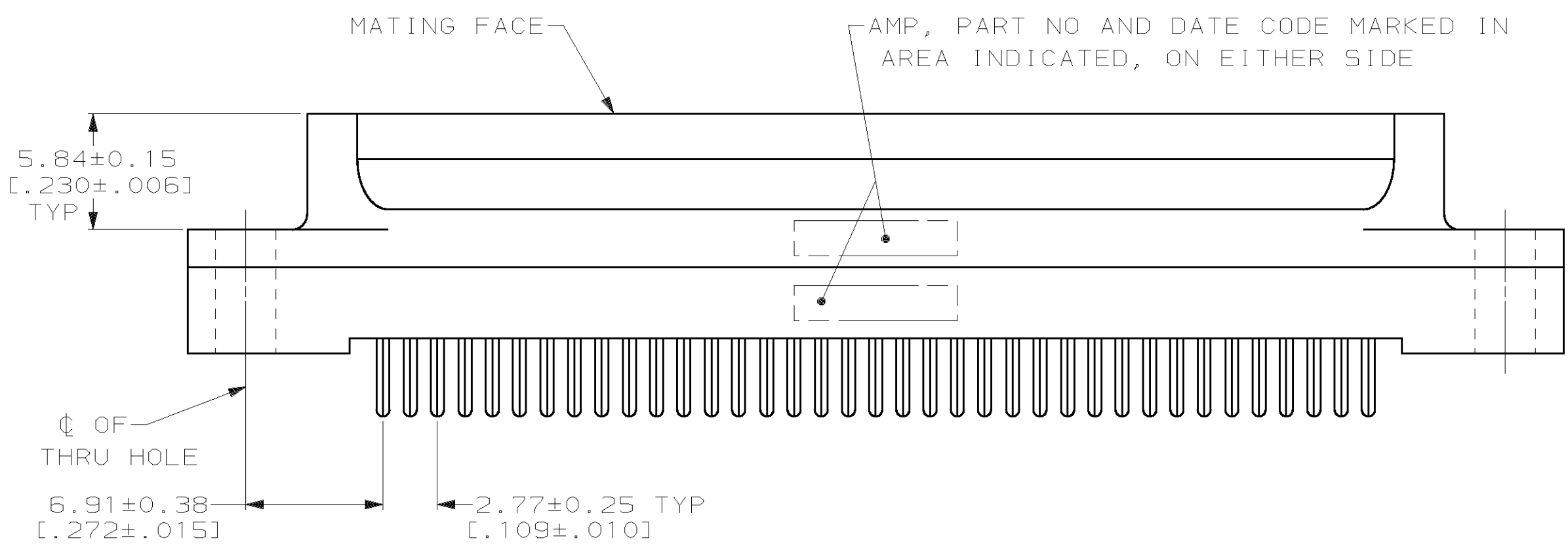


THIS DRAWING IS UNPUBLISHED. RELEASED FOR PUBLICATION
 © COPYRIGHT 19 BY AMP INCORPORATED. ALL INTERNATIONAL RIGHTS RESERVED.

LOC	DIST	P	F	ZONE	LTR	DESCRIPTION	DATE	APPD
BD	77				E	REDRAWN & REVISED, ECN BD3361	11-89	-
					F	OBS-4, -5, -6 PER EC 0020-964-93	04/11/94	CR
					G	SUPERSEDED -2 PER EC 0020-506-96	06 MAR 97	RT
					H	REV PER EC 0640-421-98	17 MAR 99	RT



- 1 HOUSING: BLACK POLYESTER, UL 94V-0 RATED; CONTACT: BRASS PER MIL-C-50.
- 2 GOLD PLATING PER MIL-G-45204, TIN PLATING PER MIL-T-10727, NICKEL PLATING PER QQ-N-290.
- 3 GOLD PLATED FOR A LENGTH OF 3.81 [0.150] MIN FROM MATING END, GOLD FLASH IN MATED AREA, 2.54µm [0.000100] MIN TIN OR TIN-LEAD FOR A LENGTH OF DIMENSION A FROM OPPOSITE END, ALL OVER 1.27µm [0.000050] MIN NICKEL.
- 4 0.76µm [0.000030] MIN GOLD FOR A LENGTH OF 3.81 [0.150] MIN FROM MATING END, 2.54µm [0.000100] MIN TIN OR TIN-LEAD FOR A LENGTH OF DIMENSION A FROM OPPOSITE END, ALL OVER 1.27µm [0.000050] MIN NICKEL.



	A	CONTACT FINISH	PART NO
OBSOLETE	6.35 [0.250]	4	208009-6
OBSOLETE	6.35 [0.250]	3	208009-5
OBSOLETE	4.32 [0.170]	4	208009-4
	4.32 [0.170]	3	208009-3
SUPSD BY 208009-1	3.18 [0.125]	4	208009-2
	3.18 [0.125]	3	208009-1

RECOMMENDED PC BOARD MOUNTING DIMENSIONS

DO NOT SCALE PRINT. UNLESS SPECIFIED DIMENSIONS IN mm [INCHES] TOLERANCES ON: 2 PLC DEC ± 0.13 [0.005] 3 PLC DEC ± - ANGLES ± 2°	DR 11-14-89 J McCLINTON	AMP INCORPORATED Harrisburg, Pa. 17105	
	CHK 1-31-90 R. STONE		
MATERIAL	APPD 2-2-90 S. SCHIEFERLY	NAME PLUG ASSEMBLY, SIZE 4, 37 POSN, VERTICAL, AMPLIMITE® HD-20	
	APPD 2-5-90 C. ROHDE	PRODUCT SPEC 108-40025	
FINISH CONTACT: SEE TABLE	APPLICATION SPEC -	SIZE C	CAGE CODE 00779
	WEIGHT -	SCALE 4:1	DRAWING NO 208009
			SHEET 1 OF 1

单击下面可查看定价，库存，交付和生命周期等信息

[>>TE Connectivity\(泰科\)](#)