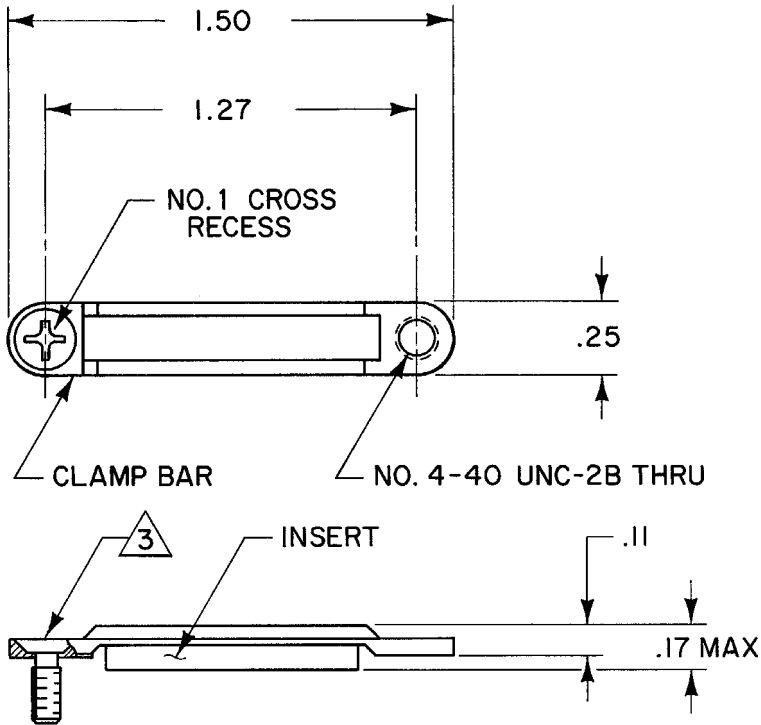


REVISIONS			
LTR	DESCRIPTION	DATE	APPROVED
C	REVISED PER ECN T-013037	99 Sept 28	JB

If this document is printed it becomes uncontrolled.  
Check with the web for latest revision.



NOTES:

- PART IS USED ON MTC TYPE PLUG AND RECEPTACLE ASSEMBLIES ( TWO REQUIRED PER CONNECTOR ASSEMBLY ).
- MATERIALS: CLAMP BAR - STAINLESS STEEL  
INSERT - FLUROSILICONE ELASTOMER

PART SUPPLIED WITH ONE CAPTIVATED D-659-0049 FLAT HEAD SCREW.

**SPECIFICATION CONTROL DRAWING** © Raychem Corporation 1982

WEIGHT:  
.0151 LBS  
[6.849gr.]  
MAX.

DRAWN	JAMAL	4-19-82
CHECKED	<i>Wick</i>	5/21/82
APPROVED	<i>John</i>	5/28/82
APPROVED	<i>Ray</i>	5-28-82

**Raychem**  
RAYCHEM CORPORATION  
300 CONSTITUTION DRIVE  
MENLO PARK, CALIFORNIA 94025

TITLE  
**1" MTC CABLE CLAMP**

UNLESS OTHERWISE SPECIFIED  
DIMENSIONS ARE IN INCHES.  
TOLERANCE - .XX : ±.01  
DO NOT SCALE THIS DRAWING

SIZE	CODE IDENT. NO.	DWG. NO.
<b>A</b>	<b>06090</b>	<b>D-659-0047</b>
		SHEET   OF

单击下面可查看定价，库存，交付和生命周期等信息

[>>TE Connectivity\(泰科\)](#)