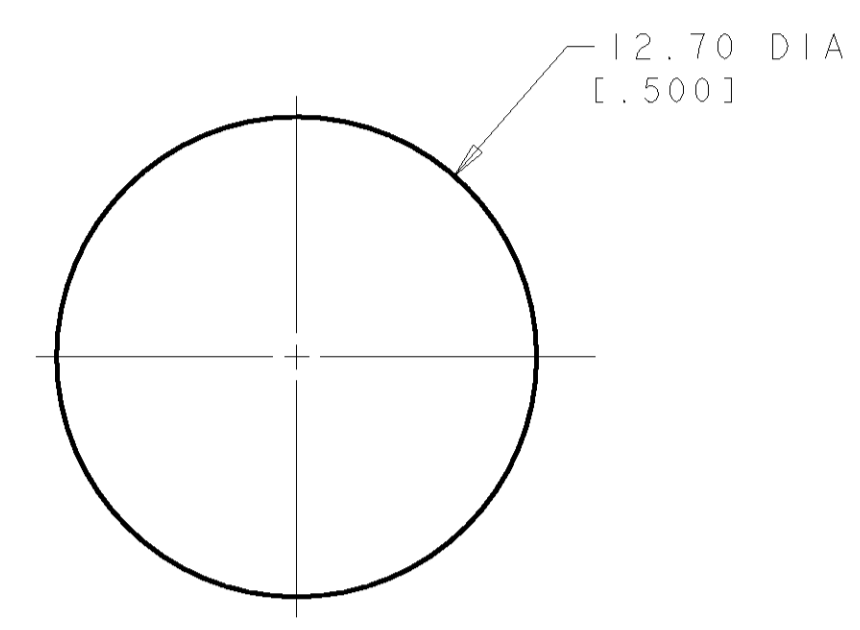
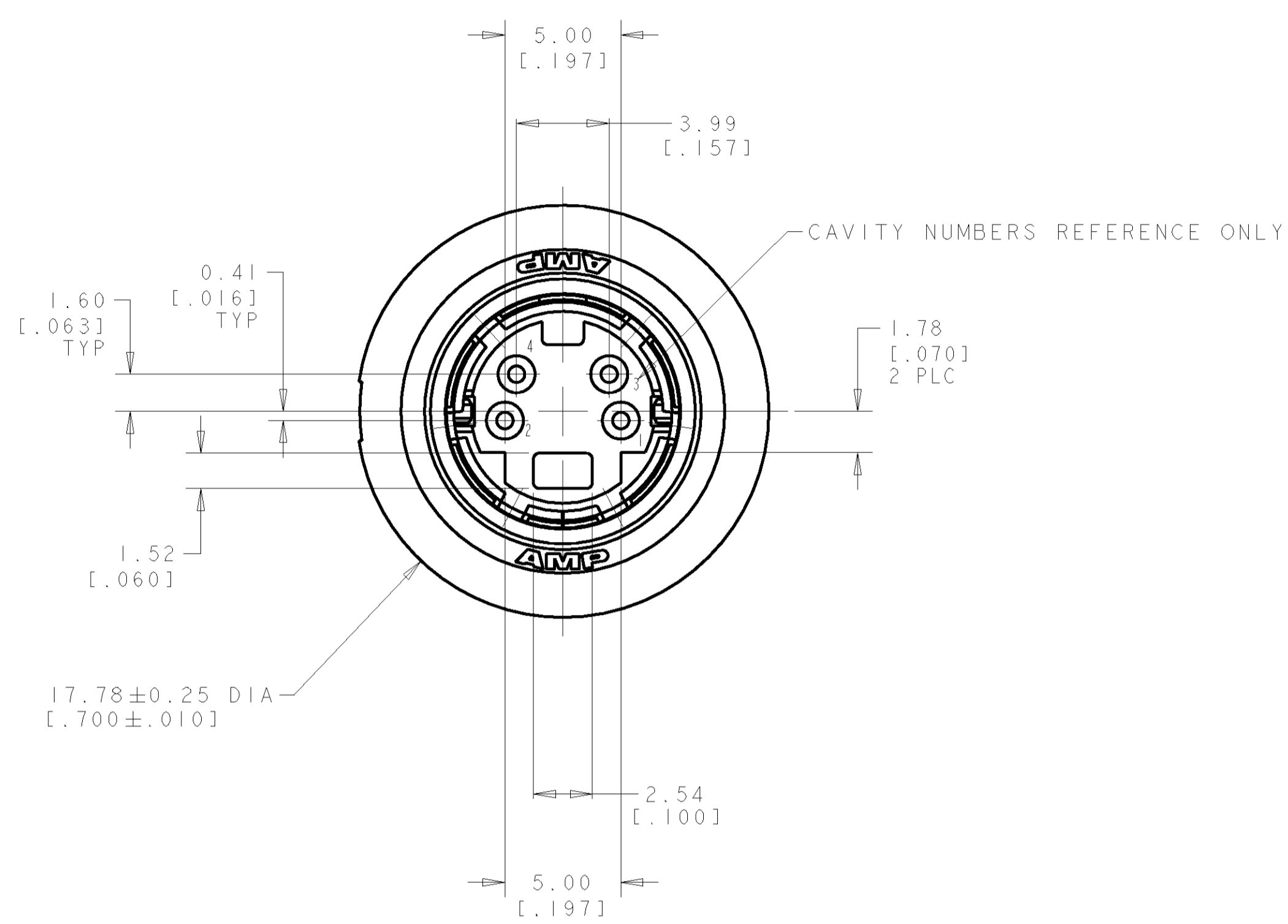
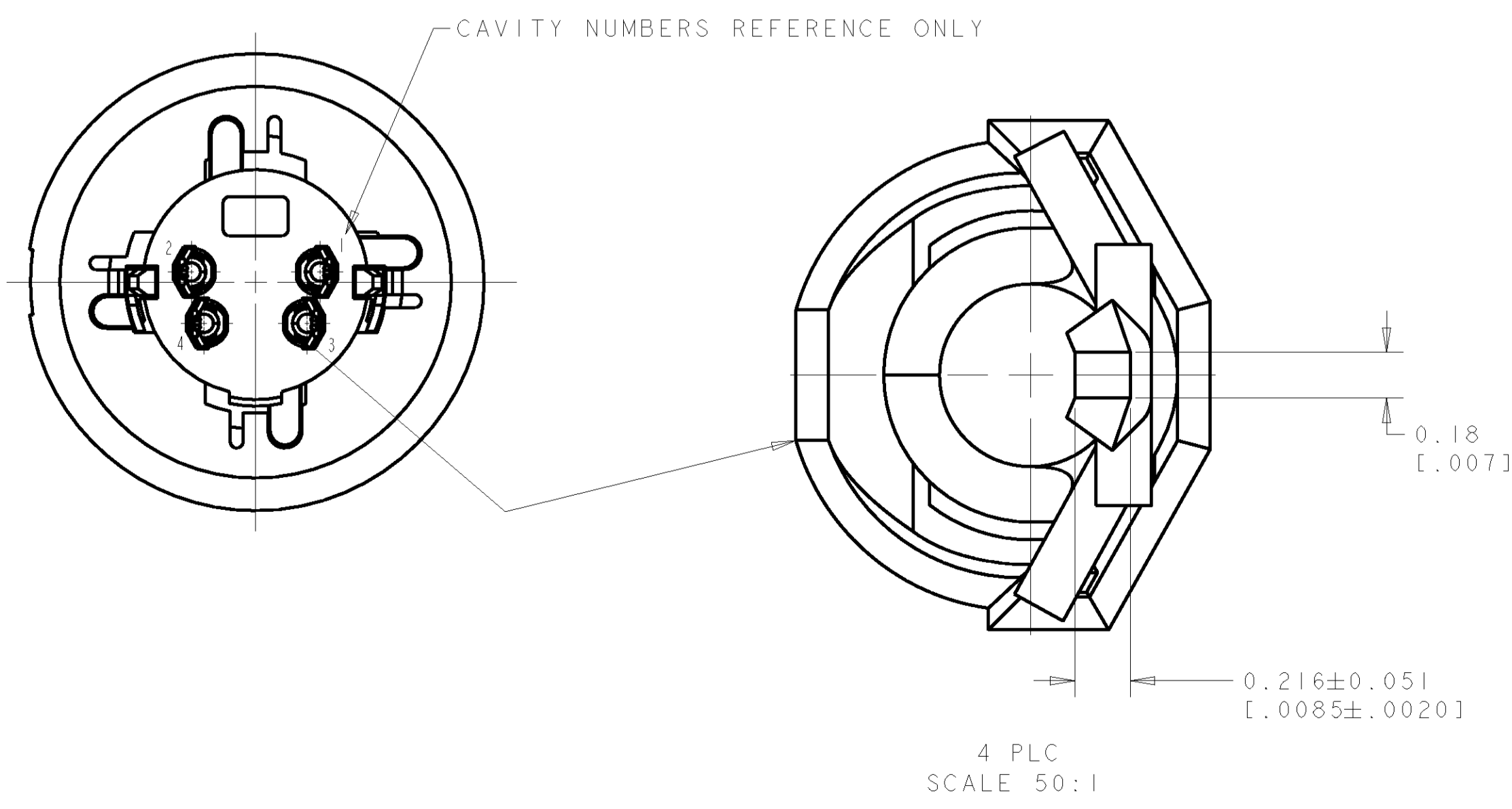
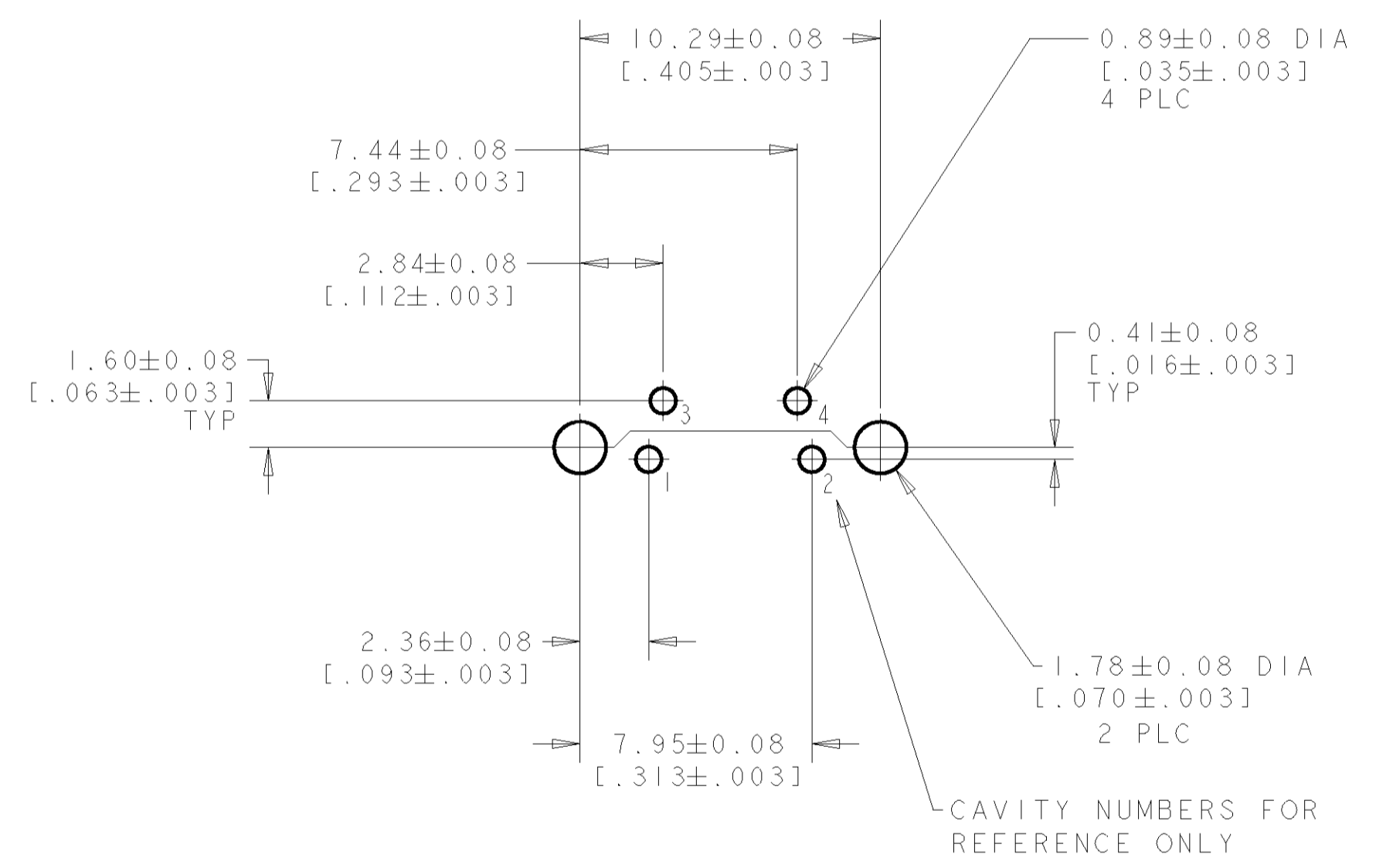
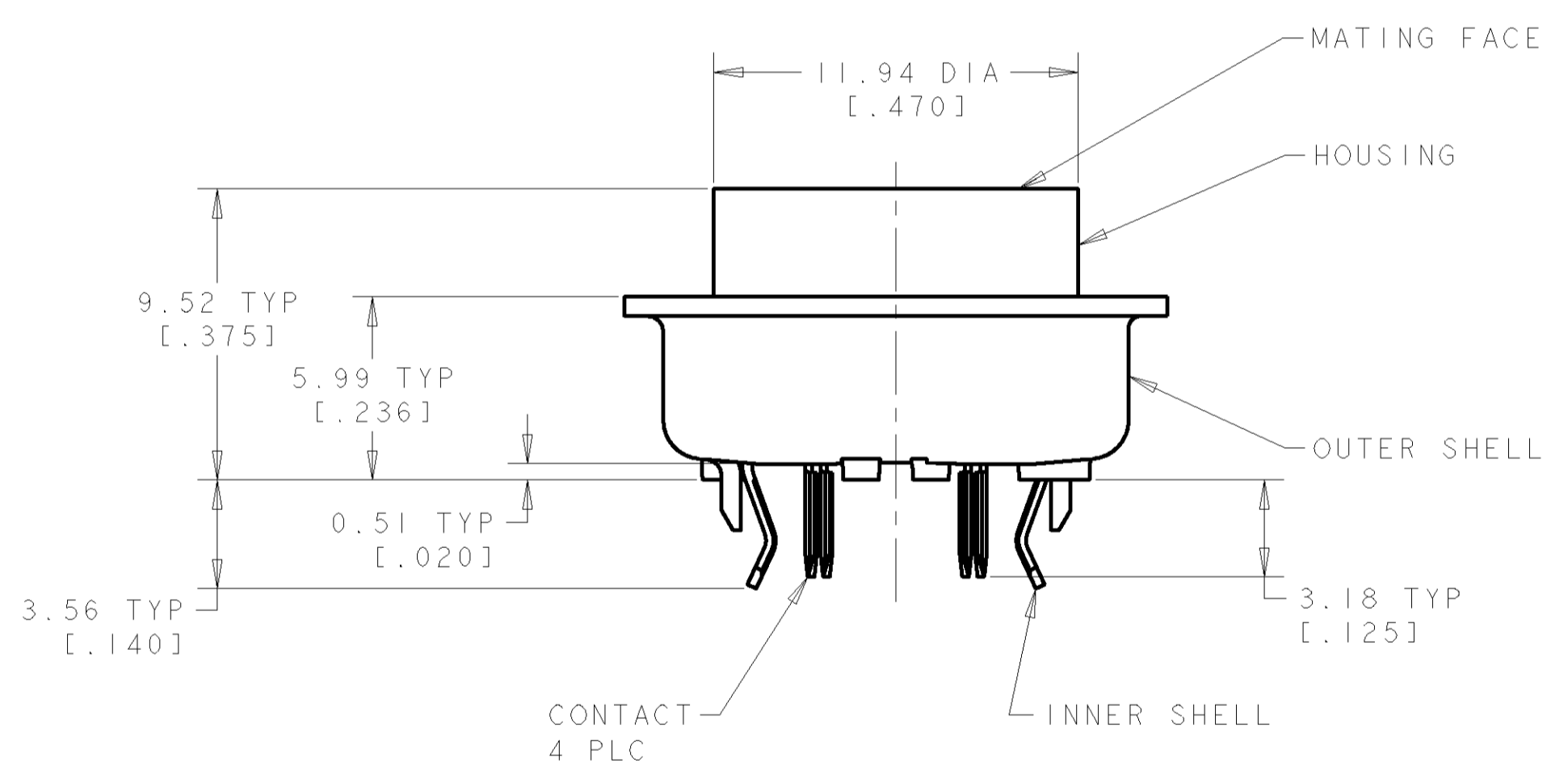


REVISONS		DATE	DNM	APRD		
LOC	DIST	F. LTR	DESCRIPTION	DATE	DNM	APRD
0			NPR FP00-0216-04	30AUG2004	LWY	LSF



- △ SHELLS: BRASS; CONTACTS: PHOSPHOR BRONZE; HOUSING: POLYESTER, UL 94V-0 RATED, BLACK.
- △ 0.76 μm [.000030] MIN GOLD ON MATING END FOR A LENGTH OF 1.37 [.054] MIN ON INSIDE, 2.54 μm [.000100] MIN TIN FOR A LENGTH OF 3.30 [.130] MIN FROM OPPOSITE END, ALL OVER 1.27 μm [.000050] MIN NICKEL.
- △ 0.38 μm [.000015] MIN GOLD ON MATING END FOR A LENGTH OF 1.37 [.054] MIN ON INSIDE, 2.54 μm [.000100] MIN TIN FOR A LENGTH OF 3.30 [.130] MIN FROM OPPOSITE END, ALL OVER 1.27 μm [.000050] MIN NICKEL.
- 4. RECEPTACLE ASSEMBLY MATES WITH 4 PIN, 8.99±0.10 [.354±.004] DIAMETER PLUG.



DIMENSIONS: mm [INCHES]		TOLERANCES UNLESS OTHERWISE SPECIFIED:		DWN: WYLEE 30AUG2004		ENR: SF LEONG		APRD: SF LEONG		NAME: RECEPTACLE ASSEMBLY, 4 POSN, LOW FLANGE, SHIELDED, VERTICAL, MINIATURE CIRCULAR DIN	
0 PLC	±	1 PLC	±0.13 [.005]	SIZE	CAGE CODE	DRAWING NO	SCALE	SHEET	OF	REV	
2 PLC	±	3 PLC	±	A11	00779	5750317	5:1	1	1	0	
4 PLC	±	5 PLC	±	CUSTOMER DRAWING							

单击下面可查看定价，库存，交付和生命周期等信息

[>>TE Connectivity\(泰科\)](#)