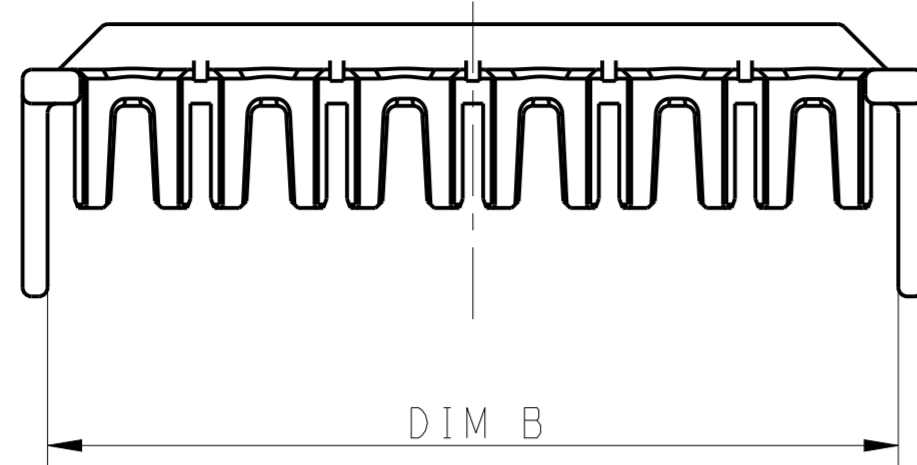
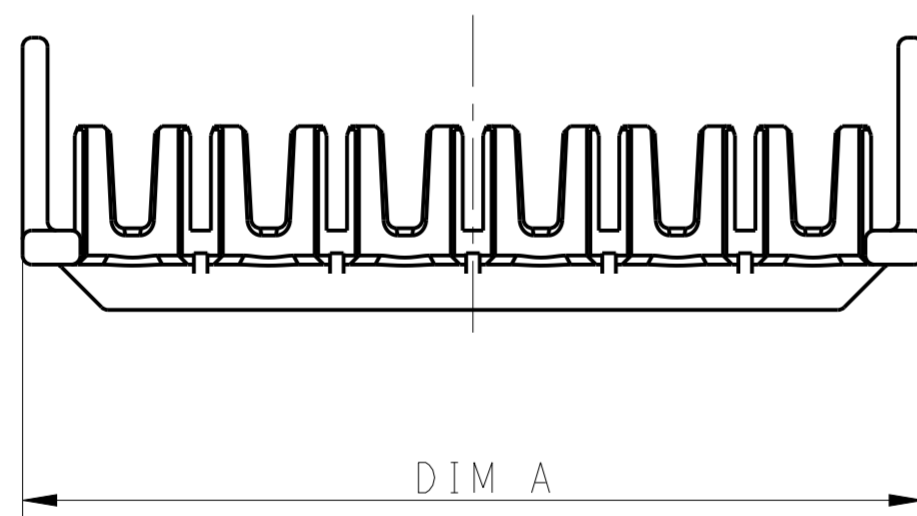
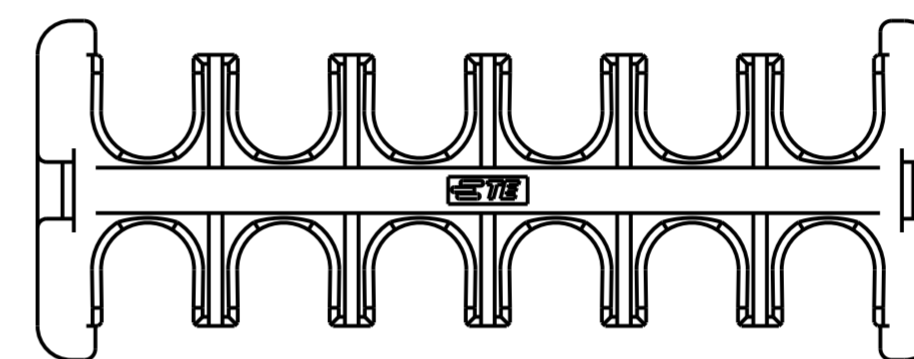
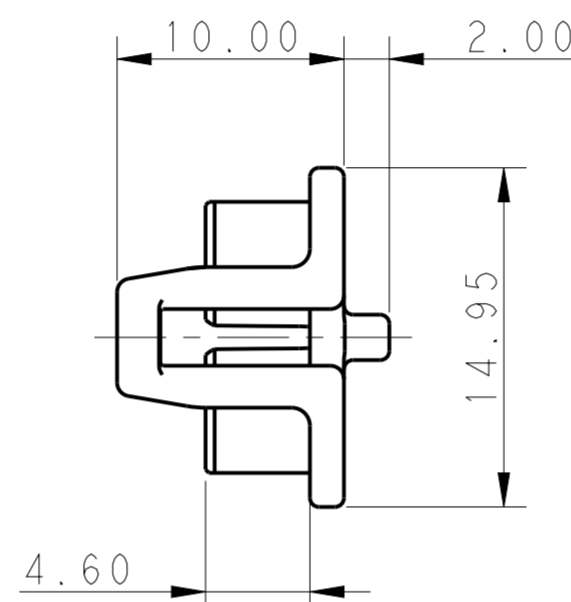
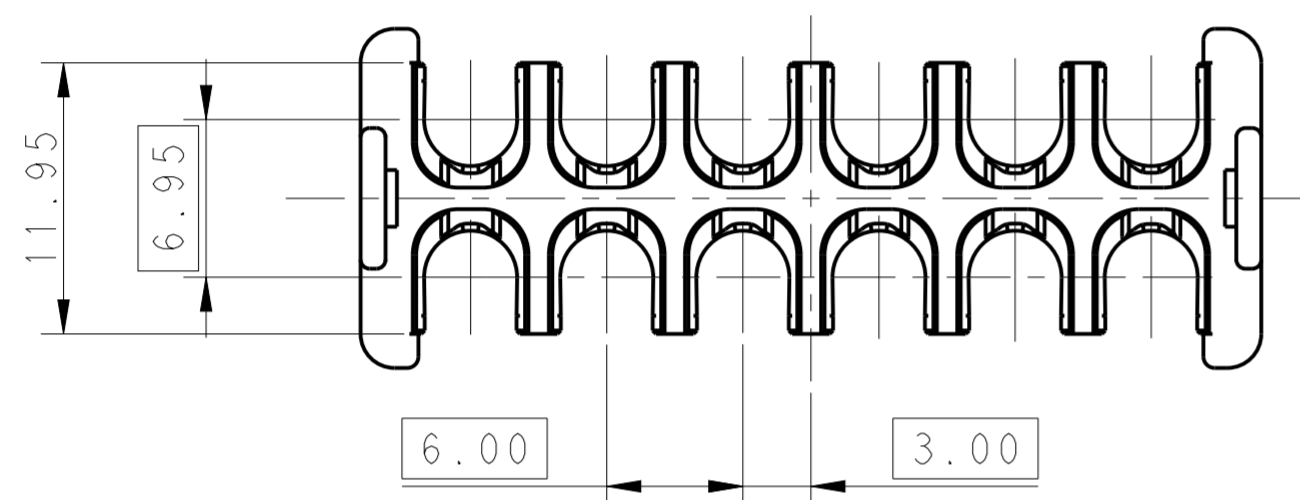


THIS DRAWING IS UNPUBLISHED. RELEASED FOR PUBLICATION 20
 © COPYRIGHT 20 BY - ALL RIGHTS RESERVED.

REVISIONS							
LOC	DIST	P	LTR	DESCRIPTION	DATE	DWN	APVD
-	-		C	REVISED PER ECR-21-100678	08APR2021	SS	VS



POS.	DIM.A	DIM.B
2*6	39.70	37.5
2*5	33.70	31.5
2*4	27.70	25.5
2*3	21.70	19.5



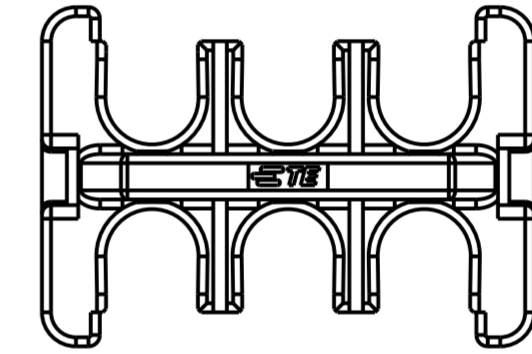
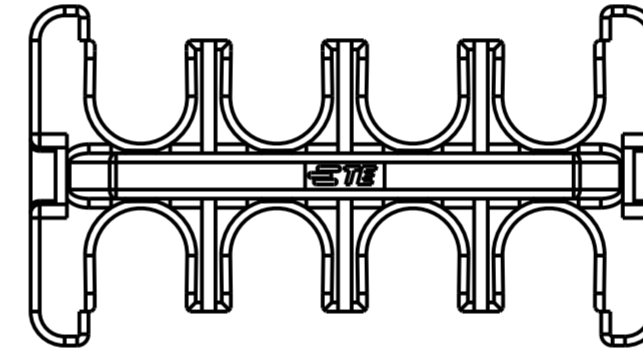
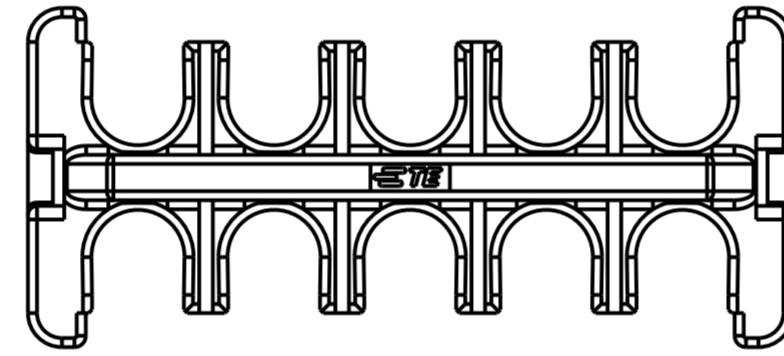
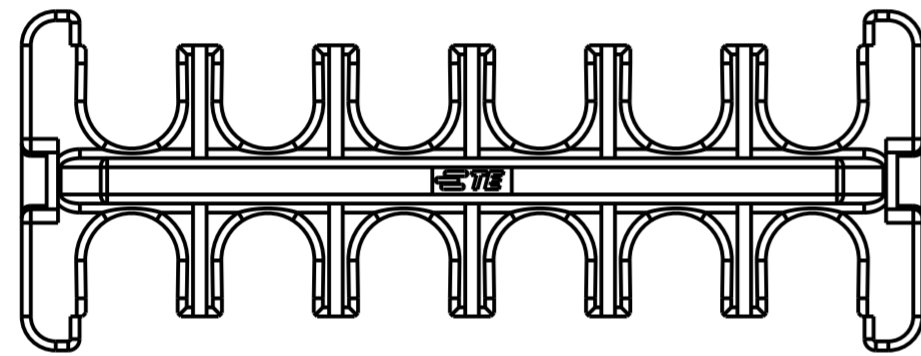
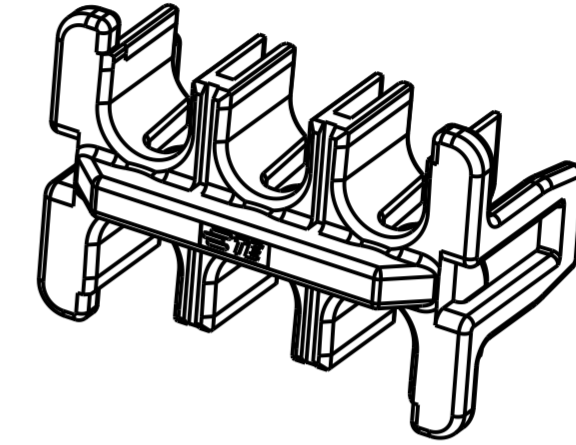
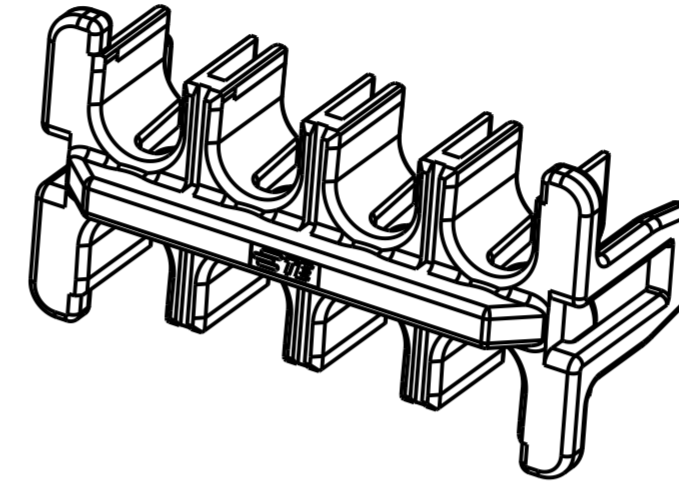
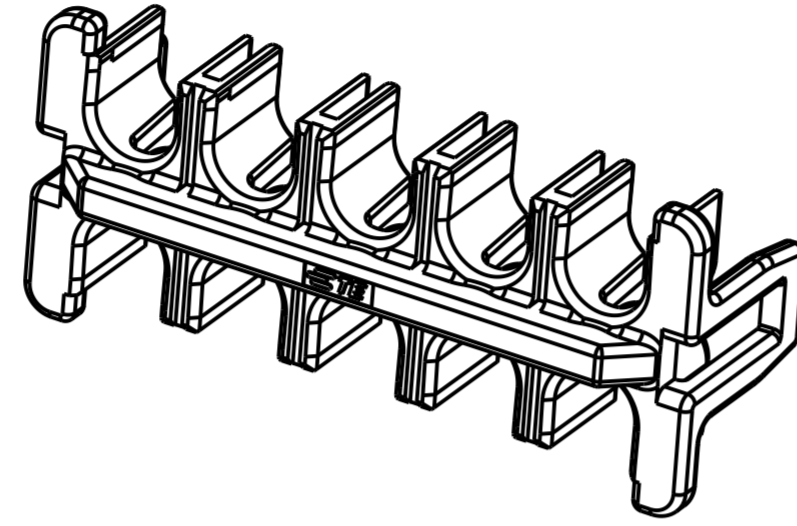
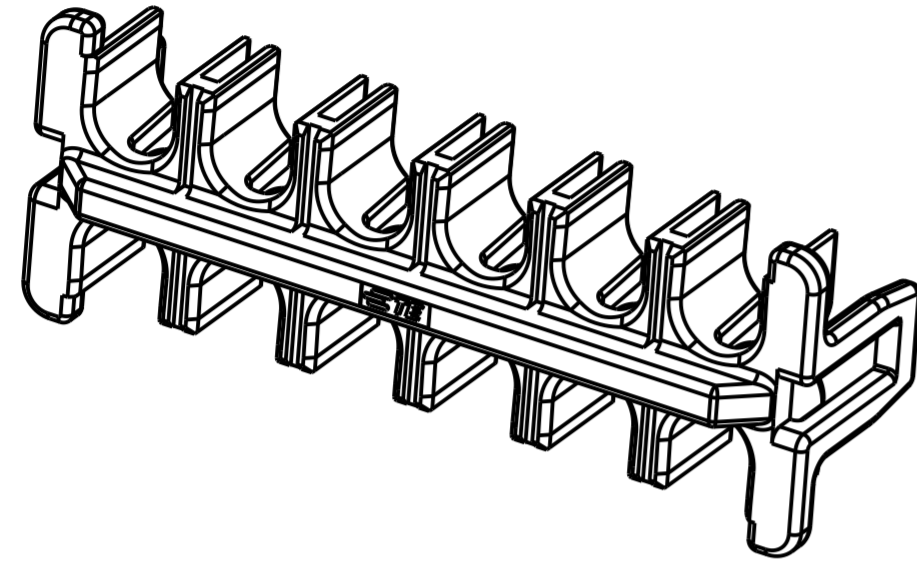
NOTE

- ① HIGH TEMP VERSIONS ARE RATED 150°C MAX AND ARE RECOMMENDED FOR USE WITH HIGH TEMP AND GLOW WIRE RATED HOUSINGS.
- ② HOT WIRE IGNITION (HWI) VERSIONS ARE MOLDED IN A RESIN THAT COMPLIES WITH TE PENDING HOT WIRE IGNITION TEST AND ARE RECOMMENDED FOR USE WITH HWI HOUSINGS THAT ALSO COMPLY.
- ③ STANDARD TEMPERATURE VERSIONS, RATED 140°C MAX ARE RECOMMENDED FOR USE WITH STANDARD TEMP AND GLOW WIRE RATED HOUSINGS.
- 4. MATING CONN, P/N
 CAP HSG: *-1971*7*-*/*-22322***-*/*-22323***-
 PLUG HSG: *-1971*7*-*/*-22322***-*/*-22323***-
- 5. FLAMMABILITY RATING: UL94 V-0

THIS DRAWING IS A CONTROLLED DOCUMENT.		DWN TOMMY WU 09JUL2012	STE TE Connectivity	
		CHK HAPYE WU 09JUL2012		
		APVD YUHONG MAO 09JUL2012	NAME TPA, DOUBLE ROW POWER TRIPLE LOCK	
DIMENSIONS: mm		PRODUCT SPEC 108-106118	SIZE CAGE CODE DRAWING NO RESTRICTED TO	
TOLERANCES UNLESS OTHERWISE SPECIFIED:		APPLICATION SPEC 114-106118	A2 00779 C-1971778	
0 PLC ± -		WEIGHT -	SCALE - SHEET 1 OF 2 REV C	
1 PLC ± 0.35		Customer Drawing		
2 PLC ± 0.25				
3 PLC ± -				
4 PLC ± -				
ANGLES ± -				
FINISH				
MATERIAL 1				

THIS DRAWING IS UNPUBLISHED. RELEASED FOR PUBLICATION 20
 © COPYRIGHT 20 BY - ALL RIGHTS RESERVED.

LOC	DIST	REVISIONS			
P	LTR	DESCRIPTION	DATE	DWN	APVD
-	-	SEE SHEET 1	-	-	-



2*6 POSITIONS

2*5 POSITIONS

2*4 POSITIONS

2*3 POSITIONS

COLOR	MATERIAL	TYPE	POSITIONS	P/N
RED	PBT GF	STANDARD TEMP △3	2*6	△6 4-1971778-6
			2*5	△6 4-1971778-5
			2*4	△6 4-1971778-4
			2*3	△6 4-1971778-3
NATURAL	PBT GF	HWI △2	2*6	2-1971778-6
			2*5	2-1971778-5
			2*4	2-1971778-4
BLACK	NYLON PA66	HIGH TEMP △1	2*6	1971778-6
			2*5	1971778-5
			2*4	1971778-4
2*3	1971778-3			

THIS DRAWING IS A CONTROLLED DOCUMENT.

DIMENSIONS:	TOLERANCES UNLESS OTHERWISE SPECIFIED:
mm	0 PLC ± -
	1 PLC ±0.35
	2 PLC ±0.25
	3 PLC ± -
	4 PLC ± -
MATERIAL	ANGLES ± -
	FINISH ± -

DWN	09JUL2012
CHK	TOMMY WU
APVD	09JUL2012
	HAPYE WU
	YUHONG MAO
PRODUCT SPEC	108-106118
APPLICATION SPEC	114-106118
WEIGHT	-

STE TE Connectivity

NAME: TPA, DOUBLE ROW POWER TRIPLE LOCK

SIZE: A2 CAGE CODE: 00779C DRAWING NO: 1971778 RESTRICTED TO: -

Customer Drawing SCALE: - SHEET 2 OF 2 REV C

单击下面可查看定价，库存，交付和生命周期等信息

[>>TE Connectivity\(泰科\)](#)