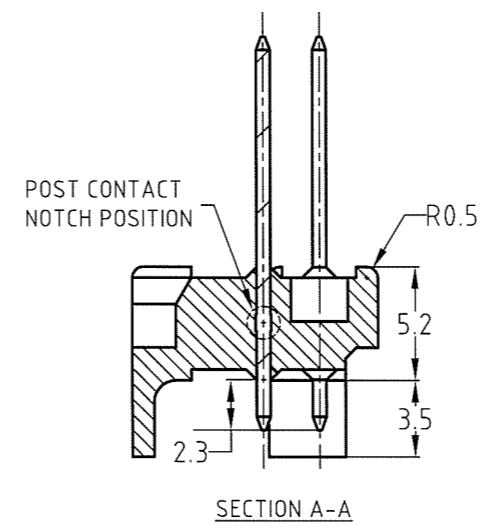
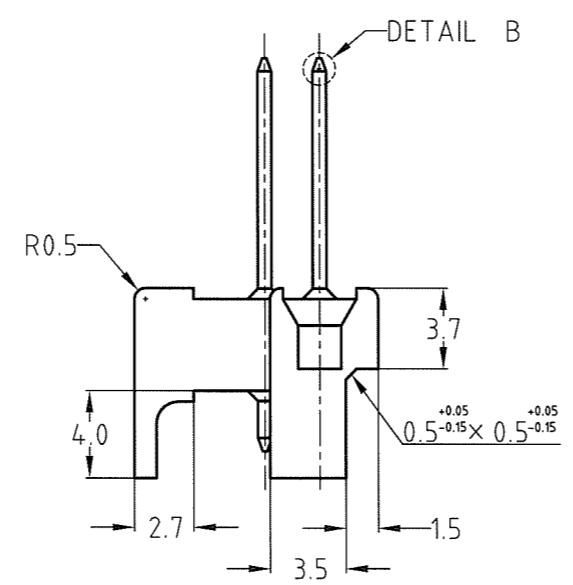
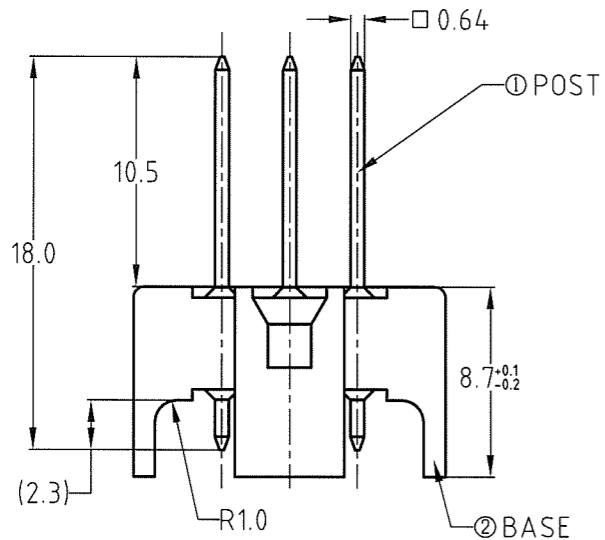
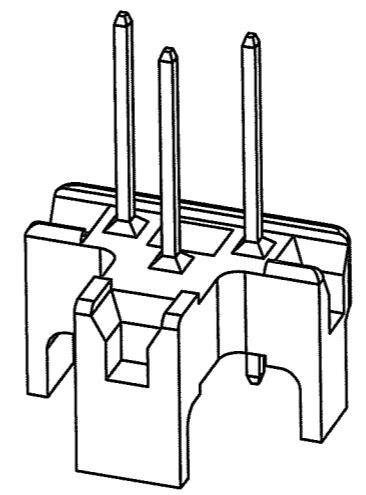
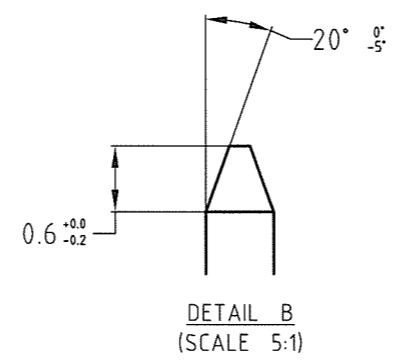
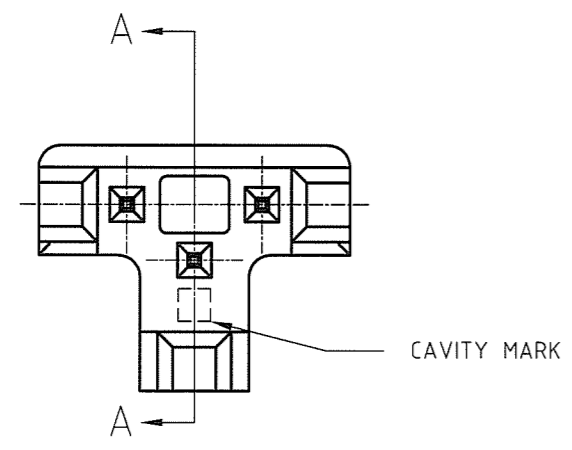


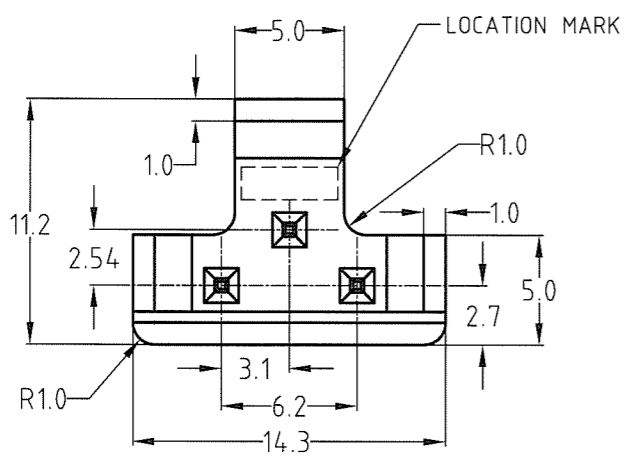
THIS DRAWING IS UNPUBLISHED. RELEASED FOR PUBLICATION  
 © COPYRIGHT BY TYCO ELECTRONICS CORPORATION. ALL RIGHTS RESERVED.

LOC	DIST	REVISIONS					
J	-	P	LTR	DESCRIPTION	DATE	DWN	APVD
		J		REVISED ECR-07-021382	10SEP'07	J.H	S.M

-1: 本図  
AS SHOWN



NOTE:  
 1. APPLICABLE PROTECTIVE HSG: P/N 1473836-1  
 注記:  
 1. 適用プロテクティブ・ハウジング型番: 1473836-1



	FINISH	MATERIAL
② BASE	— // —	PBT (GLASS FILLED 30%) UL94-V0
① POST	全面Ni 1.27 μm上に金めっき0.8 μm	BRASS

THIS DRAWING IS A CONTROLLED DOCUMENT.		DWN Y.SUEMITSU 18.JUN'01	Tyco Electronics Corporation Kawasaki, Japan	
DIMENSIONS: 単位: 耗 mm		CHK Y.KASHIWA 18.JUL'01	NAME 名称	
TOLERANCES UNLESS OTHERWISE SPECIFIED: 一般公差		APVD Y.KASHIWA 18.JUL'01	MQS PRTECTIVE TERMINAL INSERT 3POS	
$\begin{matrix} < 6 & \pm 0.1 \\ 6 \leq < 30 & \pm 0.2 \\ 30 \leq < 100 & \pm 0.3 \\ & \pm - \\ & \pm - \end{matrix}$		PRODUCT SPEC 108-5789		SIZE A3
MATERIAL 材料 SEE TABLE		APPLICATION SPEC 取付適用規格		CAGE CODE 00779
FINISH 仕上 SEE TABLE		WEIGHT -		DRAWING NO 1473837
		CUSTOMER DRAWING		RESTRICTED TO -
		SCALE 尺度 3:1		SHEET 1 of 1
				REV J

单击下面可查看定价，库存，交付和生命周期等信息

[>>TE Connectivity\(泰科\)](#)