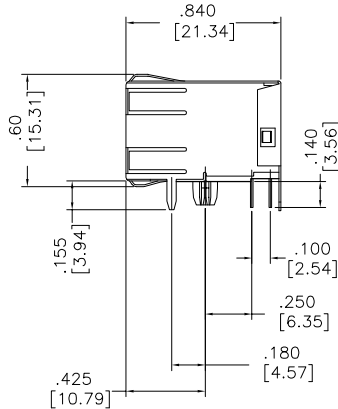
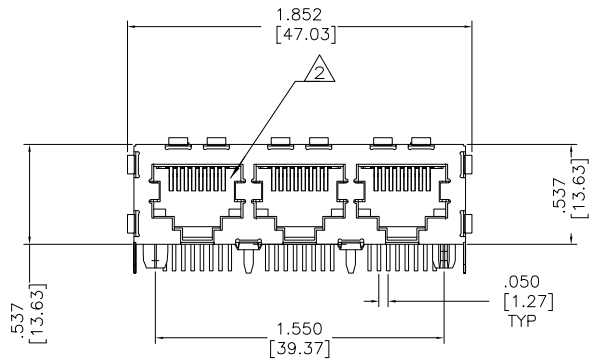
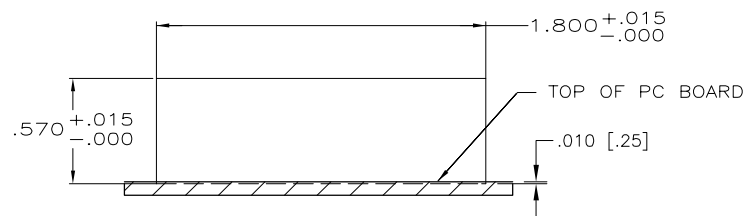
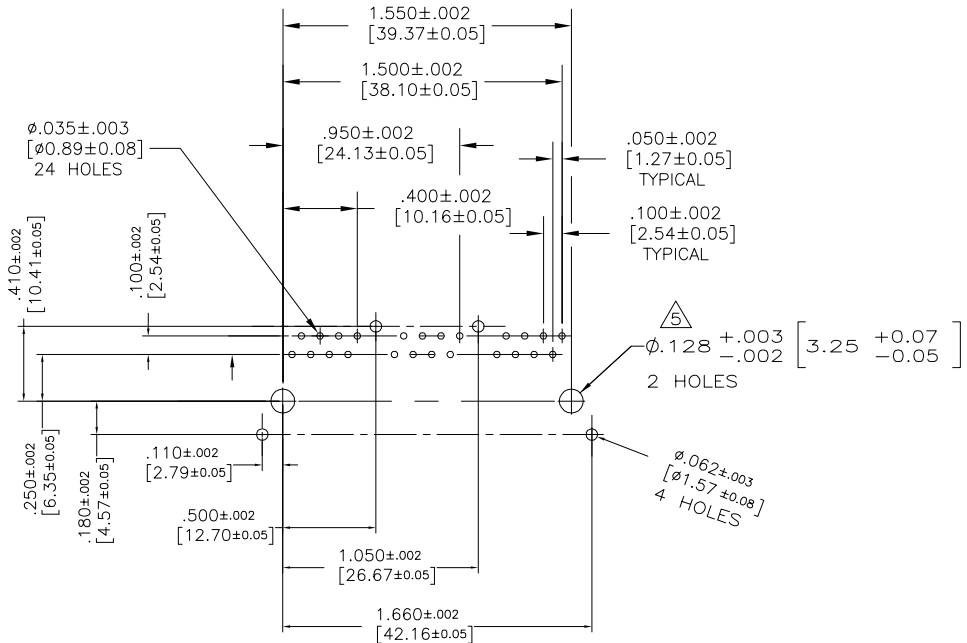


THIS DRAWING IS UNPUBLISHED. RELEASED FOR PUBLICATION
 © COPYRIGHT BY TYCO ELECTRONICS CORPORATION. ALL RIGHTS RESERVED.

LOC	DIST	REVISIONS					
AA	00	P	LTR	DESCRIPTION	DATE	DWN	APVD
		B1		ECR-09-004284	16APR2009	TY	SY



- MATERIAL: HOUSING - HTN NYLON, BLACK, IR REFLOW PROCESSING COMPATIBLE, UL 94V-0. TERMINALS - .013[0.33] THICK PHOS BRONZE PLATED WITH .000050[1.27μm] THICK HARD GOLD IN LOCALIZED AREA AND .000150[3.81μm] THICK MATTE TIN IN SOLDER AREA OVER .000050[1.27μm] THICK NICKEL UNDERPLATE. SHIELD - 0.010[.254m] THK. COPPER ALLOY PLATED WITH .000050[1.27μm] MIN. NICKEL AND .000080[2.03μm] MIN. HOT TIN DIP ON PCB GROUND TABS.
- JACK CAVITY CONFORMS TO FCC RULES AND REGULATIONS, PART 68 SUBPART F.
- ALL DIMENSIONS SHOWN ARE NOMINAL UNLESS OTHERWISE SPECIFIED.
- ALL DIMENSIONS SHOWN IN BRACKETS [] ARE IN MILLIMETERS.
- USE #30 DRILL BIT OR 3.25 MM DRILL BIT WHEN PRODUCING THESE PRINTED CIRCUIT BOARD HOLES.



SUGGESTED PC BOARD LAYOUT
 COMPONENT SIDE
 SEE APPLICATION SPECIFICATION

THIS DRAWING IS A CONTROLLED DOCUMENT.		DWN V. SLACK 1-28-92	1761825-1 PART NUMBER	
DIMENSIONS: INCHES		CHK B. FOX 6-08-92	Tyco Electronics Corporation Harrisburg, Pa 17105-3608	
TOLERANCES UNLESS OTHERWISE SPECIFIED:		APVD G. REED 6-08-92	NAME	
0 PLC ± -		PRODUCT SPEC		
1 PLC ± -		108-1163		
2 PLC ± .01[0.25]		APPLICATION SPEC		
3 PLC ± .005[0.13]		114-2048		
4 PLC ± -		SIZE CAGE CODE DRAWING NO RESTRICTED TO		
ANGLES ± -		A2 00779 C=1761825		
MATERIAL FINISH		WEIGHT		
SEE NOTE 1		CUSTOMER DRAWING		
SEE NOTE 1		SCALE 2:1 SHEET 1 OF 1 REV B1		

单击下面可查看定价，库存，交付和生命周期等信息

[>>TE Connectivity\(泰科\)](#)