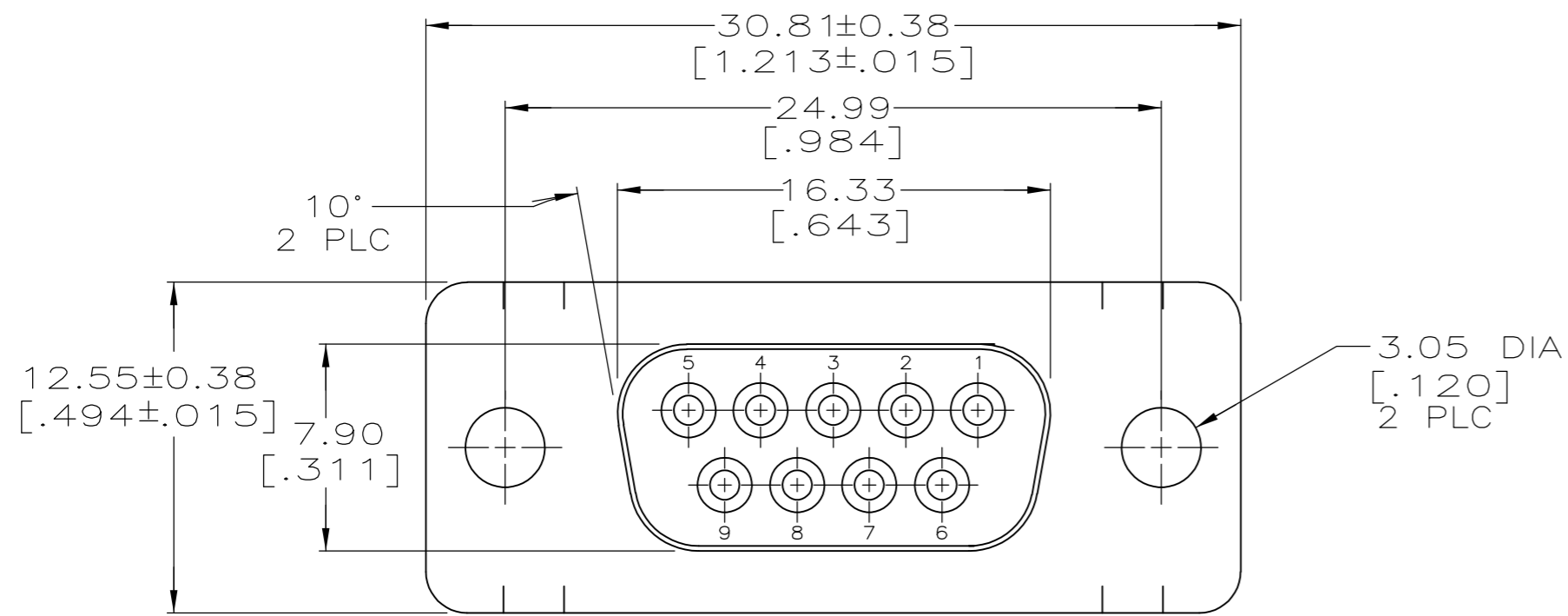
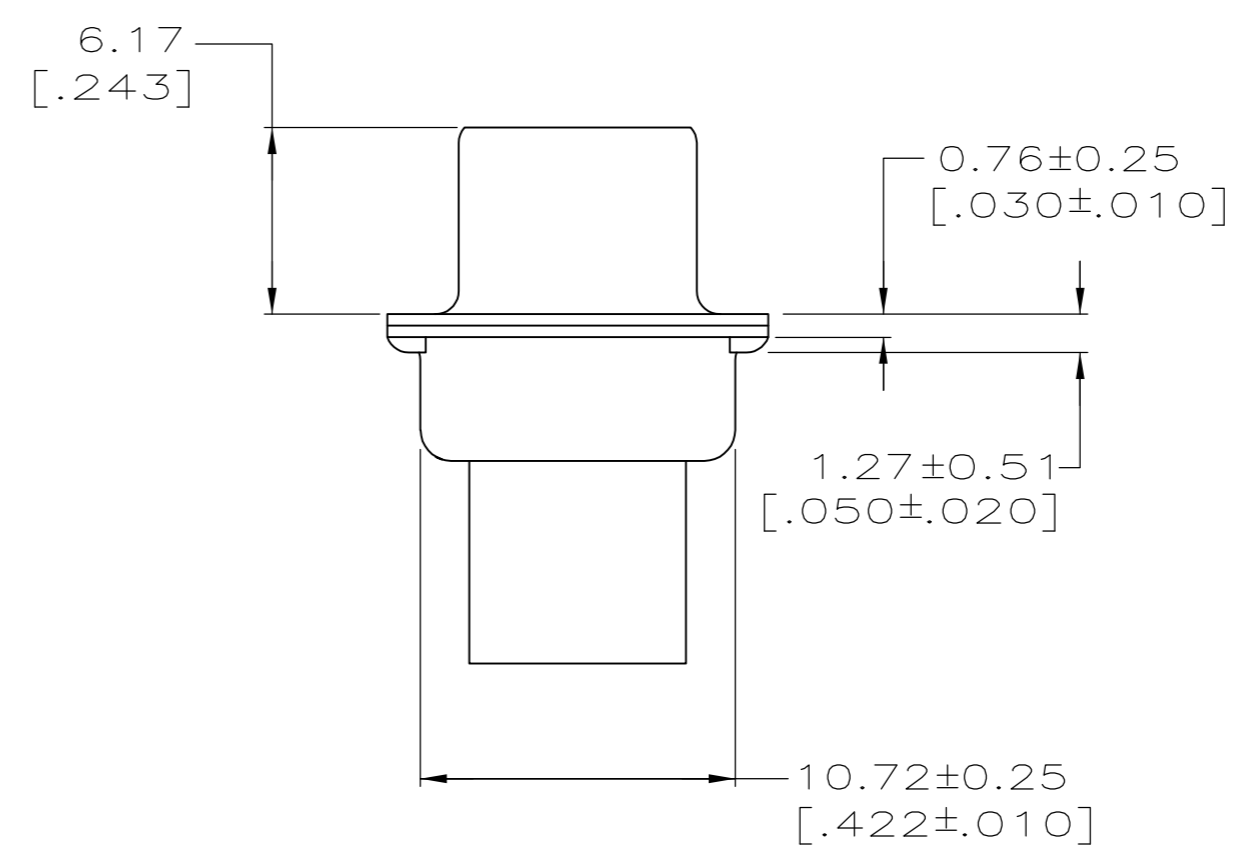
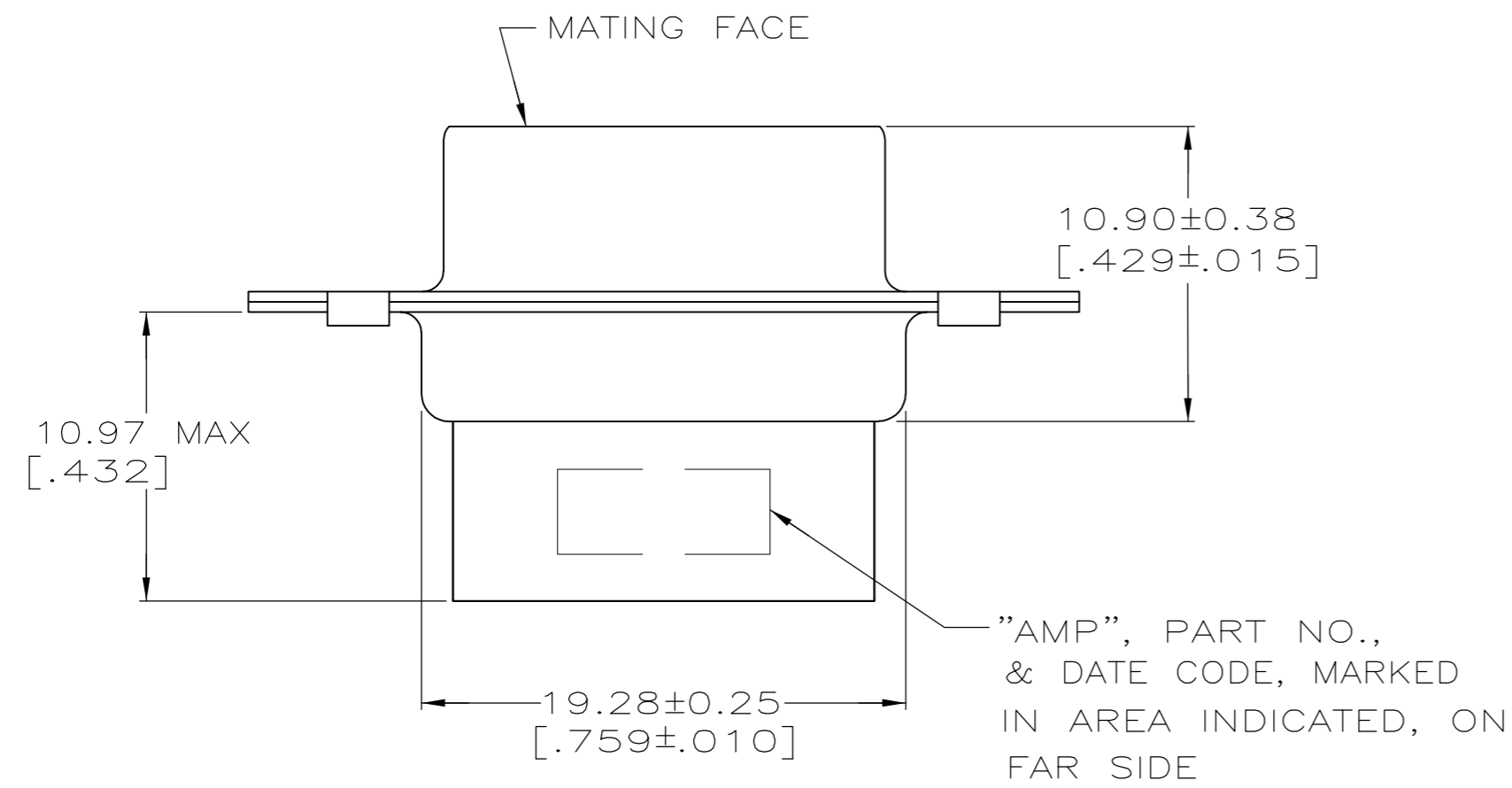


THIS DRAWING IS UNPUBLISHED. RELEASED FOR PUBLICATION
 © COPYRIGHT - By - ALL RIGHTS RESERVED.

LOC		DIST		REVISIONS			
P	LTR	DESCRIPTION	DATE	DWN	APVD		
GP	00	M	REVISED PER ECO-14-011808	09AUG2014	AP	SB	



- 1 CONNECTOR ACCEPTS SIZE 20 DF SOCKET CONTACTS, RETENTION TINES ARE AN INTEGRAL PART OF INSERT.
- 2 CONNECTOR COMPLIES WITH 108-40005 WHERE APPLICABLE.
- 3 MOLDED PARTS: GLASS-FILLED PBT OR GLASS-FILLED NYLON, UL94V-0 RATED. COLOR: BLACK
- 4 SHELLS: STEEL PER ASTM A109.
- 5 ZINC PLATED PER ASTM B633; TYPE II; CLASS SC1; YELLOW CHROMATE.
- 6 TIN PLATED PER MIL-T-10727 OVER COPPER PER MIL-C-14550.
- 7 CHROME PLATED.
- 8 ZINC PLATED .000200-.000400 THICK, YELLOW TRIVALENT CHROMIUM CHROMATE COATING.



PACKAGING TYPE	SHELL FINISH	PART NO
STANDARD	8	205203-8
OBSOLETE SMALL PACK	5	205203-6
STANDARD	6	205203-3
OBSOLETE STANDARD	5	205203-1

THIS DRAWING IS A CONTROLLED DOCUMENT.		DWN S. WELDON 7-19-85	TE TE Connectivity	
DIMENSIONS: INCHES		CHK J. GERACE 7-29-85		
TOLERANCES UNLESS OTHERWISE SPECIFIED:		APVD V. KUMAR 7-31-85	NAME	
0 PLC ± -		PRODUCT SPEC	RCPT CONNECTOR, SIZE 1, 9 POSN, AMPLIMITE, HDP	
1 PLC ± -		APPLICATION SPEC	-	
2 PLC ± 0.13 [.005]		WEIGHT	SIZE A2	CAGE CODE 00779
3 PLC ± -		FINISH	DRAWING NO C=205203	RESTRICTED TO
4 PLC ± -		SHELLS: SEE TABLE	SCALE 4:1	SHEET 1 of 1
ANGLES ± -		CUSTOMER DRAWING	REV M	

单击下面可查看定价，库存，交付和生命周期等信息

[>>TE Connectivity\(泰科\)](#)

[>>点击查看相关商品](#)