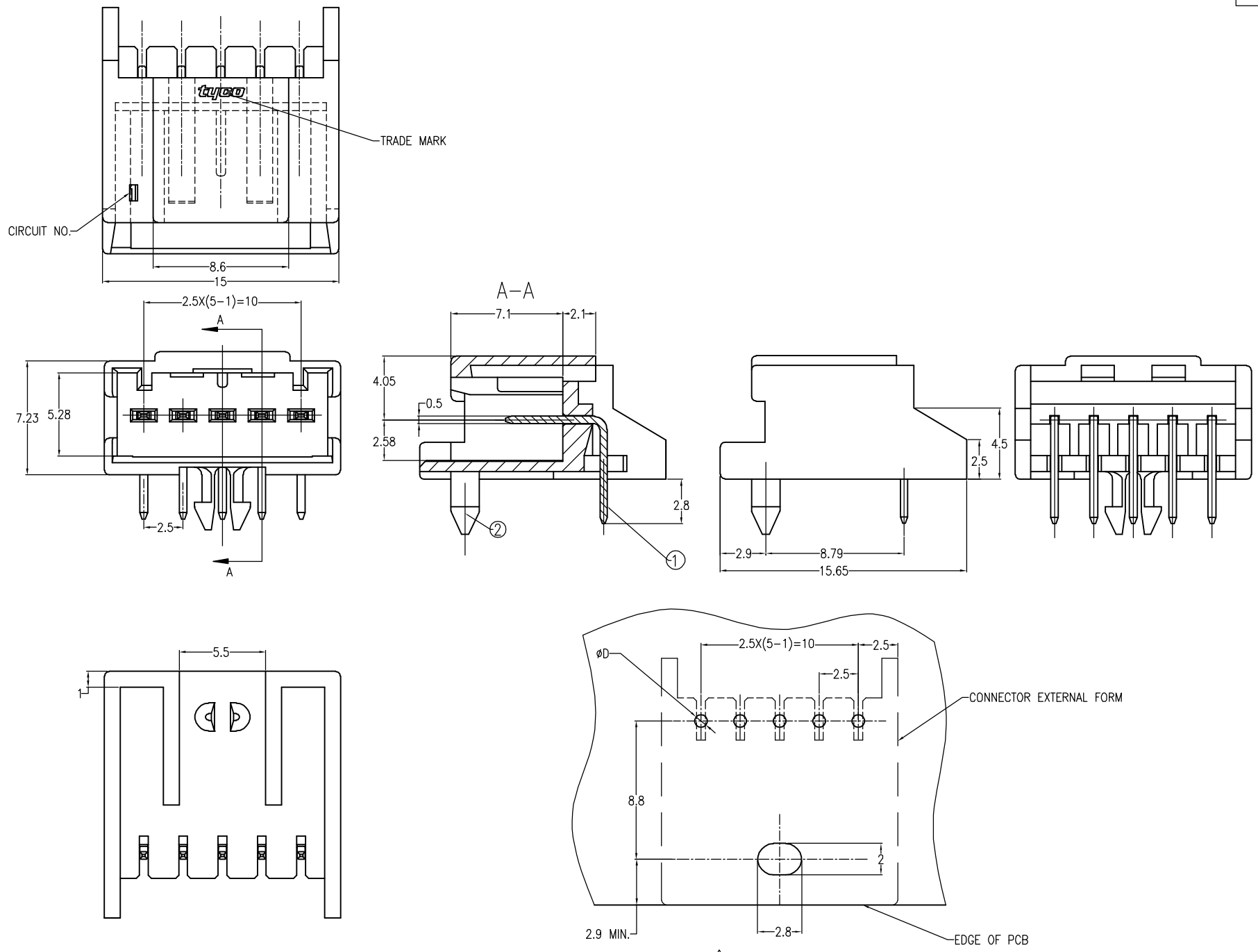


THIS DRAWING IS UNPUBLISHED. RELEASED FOR PUBLICATION
 © COPYRIGHT BY TYCO ELECTRONICS CORPORATION. ALL RIGHTS RESERVED.

LOC	DIST	REVISIONS					
ES	00	P	LTR	DESCRIPTION	DATE	DWN	APVD
			O	NEW RELEASED	14DEC05	LH	MS
			A	ECR-06-013614	8JUN06	WS	MS



- NOTES;
- GENERAL TOLERANCE: ± 0.3 , $\pm 1^\circ$
 - APPLICABLE PCB THICKNESS 1.6mm
 - MATING CONN. P/N
 PLUG HOUSING (66 NYLON GLASS FILLED);
 Ⓐ P/N x-1747066-5 (5POS)
 - APPLICABLE PCB LAYOUT SEE FIG.1
 - APPLICABLE PCB HOLE DIA. (ϕ D)
 PUNCHED HOLE: $0.7 \pm_{-0}^{+0.1}$ mm
 DRILLED HOLE: 0.9 ± 0.05 mm

TABLE 1

Ⓒ	HEADER HOUSING	66NYLON GLASS FILLED
Ⓓ	POST CONTACT	TIN PLATED COPPER ALLOY
P/N	PART NAME	MATERIAL & FINISH

BLUE	1903535-5
BLACK	1903535-4
YELLOW	1903535-3
RED	1903535-2
NATURAL	1903535-1
COLOR	P/N

P.C.B. LAYOUT $\triangle 5$ FIG. 1
 (GENERAL TOLERANCE ± 0.1)

THIS DRAWING IS A CONTROLLED DOCUMENT.		DWN LI HELEN 14DEC.05	Tyco Electronics Corporation Shanghai, CHINA	
DIMENSIONS: mm		CHK A. OOISHI 14DEC.05		
TOLERANCES UNLESS OTHERWISE SPECIFIED:		APVD M. SHINDO 14DEC.05	NAME GRACE INERTIA CONNECTOR 2.5 HEADER ASSEMBLY (H-TYPE) (5 POS)	
0 PLC $\pm -$ 1 PLC $\pm -$ 2 PLC $\pm -$ 3 PLC $\pm -$ 4 PLC $\pm -$ ANGLES $\pm -$		PRODUCT SPEC -	RESTRICTED TO -	
MATERIAL SEE TABLE 1		FINISH SEE TABLE 1	SIZE A3	CAGE CODE 00779
		WEIGHT -	DRAWING NO C-1903535	
CUSTOMER DRAWING			SCALE 3:1	SHEET 1 OF 1
			REV A	

单击下面可查看定价，库存，交付和生命周期等信息

[>>TE Connectivity\(泰科\)](#)