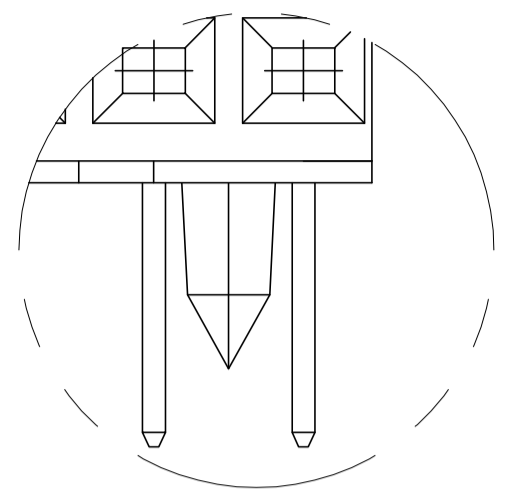
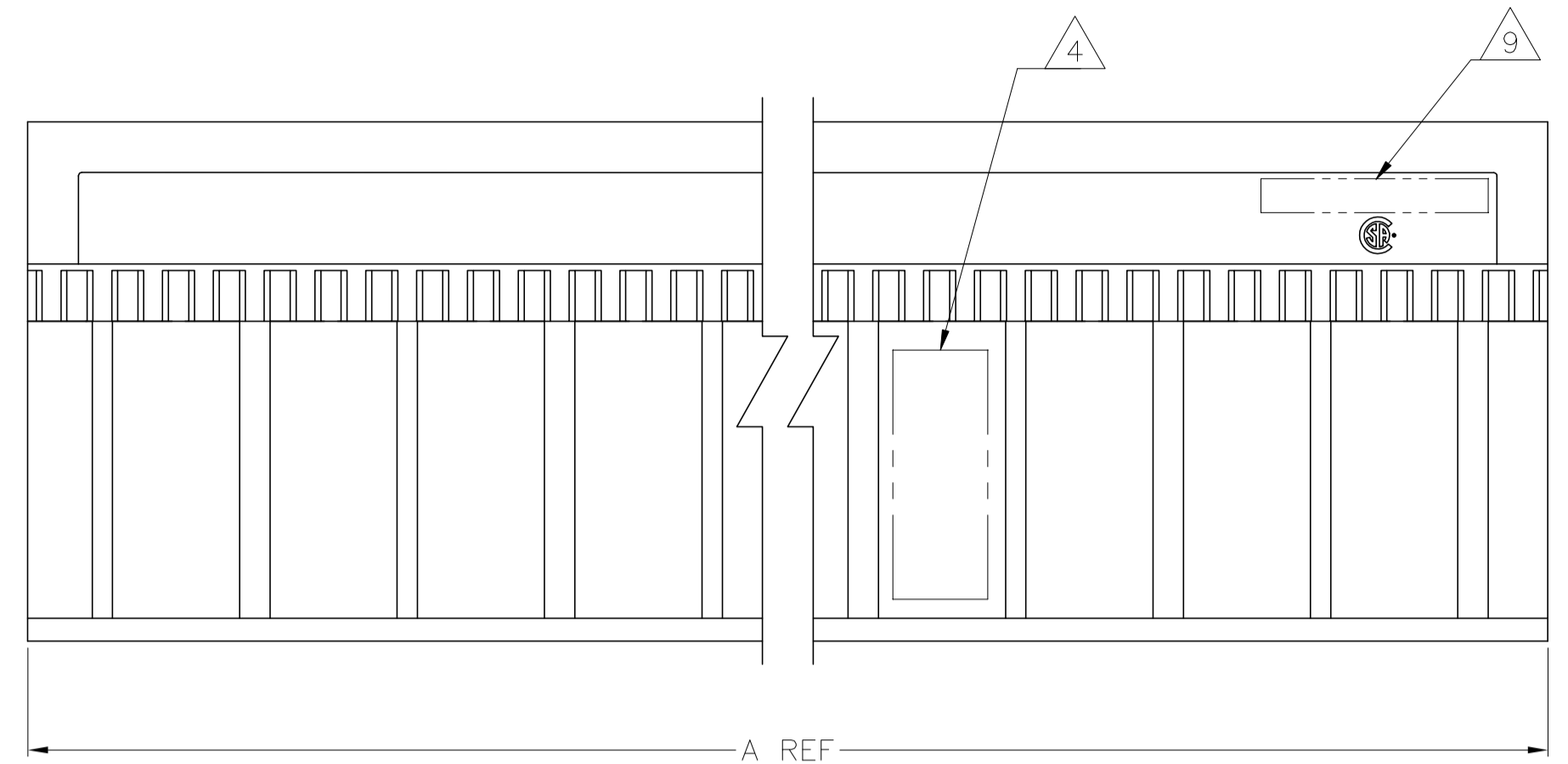
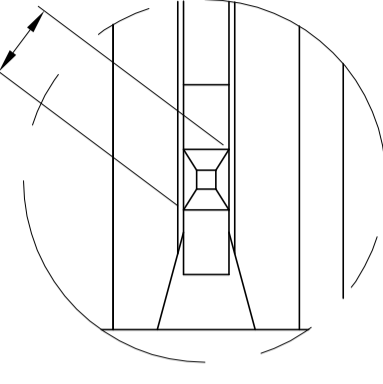


REVISIONS				
P	LTR	DESCRIPTION	DATE	APP'D
B		REVISED PER ECO-18-018290	03OCT2019	AP DS



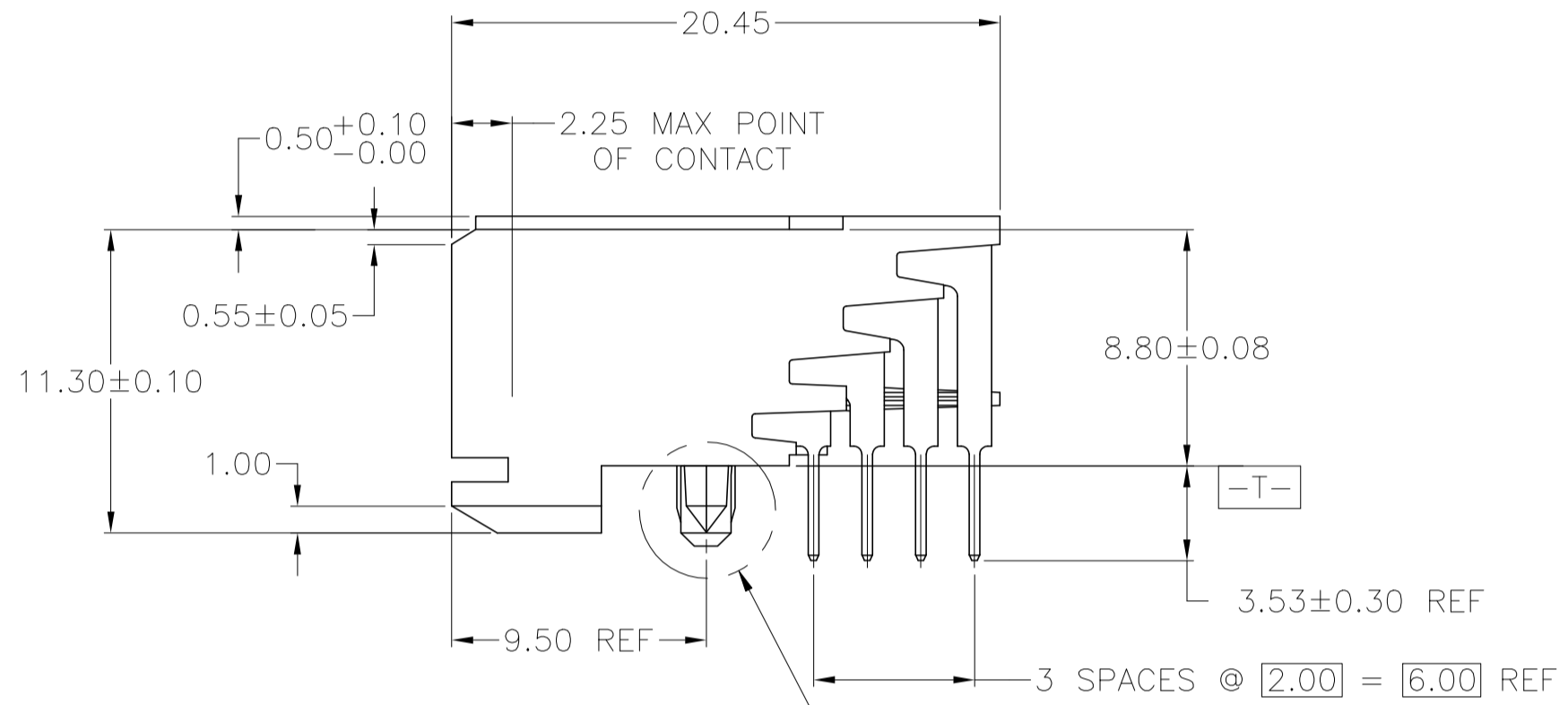
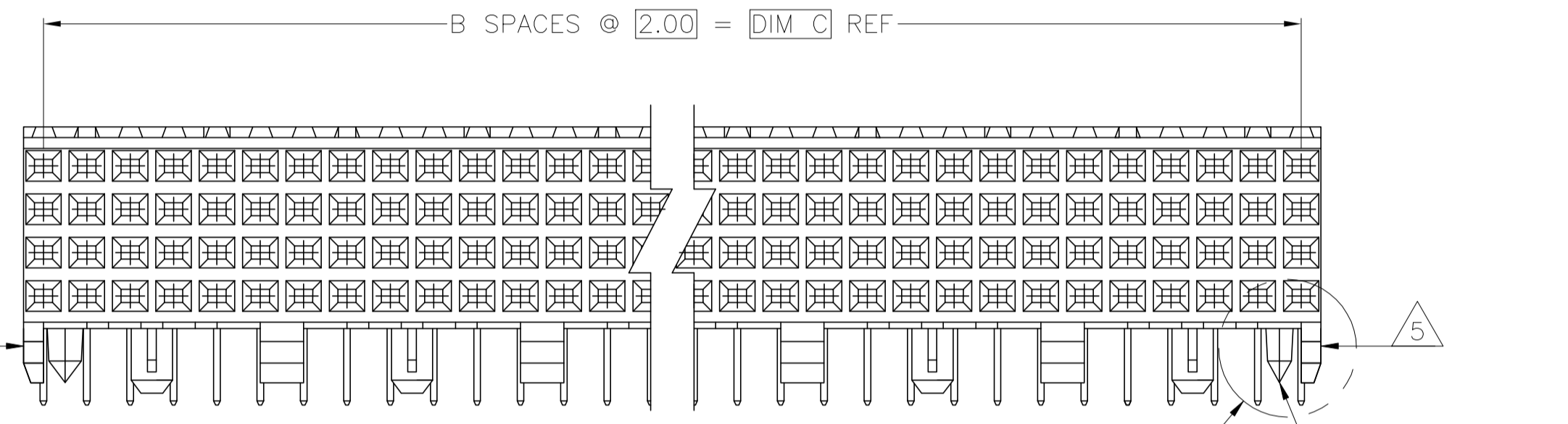
0.51±0.05 TYP  
 $\varnothing 0.20(M)$  T | A(M) W(M)



DETAIL X  
SCALE 10:1

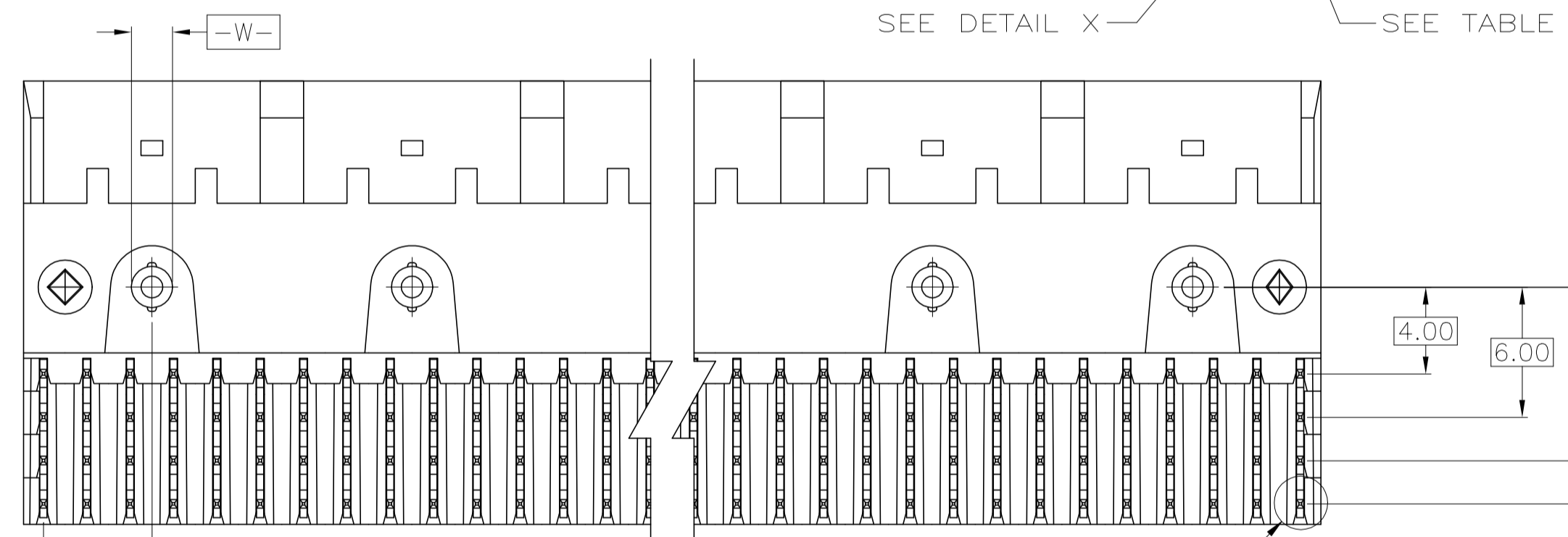
DETAIL Z  
SCALE 20:1

- 1 HOUSING MATERIAL: LIQUID CRYSTAL POLYMER. COLOR: NATURAL.
- 2 CONTACT MATERIAL: PHOSPHOR-BRONZE.
- 3 CONTACT FINISH:  
 UNDERPLATE (ENTIRE CONTACT) - 0.00127 MIN NICKEL PER SAE-AMS-QQ-N-290.  
 ON MATING SURFACES- CONFORMS TO ALL TESTING SPECIFIED FOR TELCORDIA UNCONTROLLED ENVIRONMENT  
 ON LEADS- 0.00381 MIN TIN PER ASTM B 545, OVER UNDERPLATE  
 LUBRICATION (MIN MATING SURFACES): SURFACE CONDITIONER AFTER PLATING.



REFER TO DETAIL FOR COLD HOLD CONFIGURATION

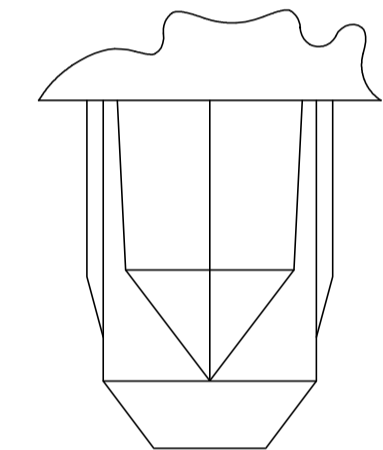
- 4 PART MARKING, LOCATED APPROXIMATELY AS SHOWN.
- 5 CUSTOMIZED PART, HOUSING MOLDED WITHOUT END GUIDE LUGS.
- 6 OBSOLETE PART NUMBER.
- 7 CONTACT FINISH:  
 UNDERPLATE (ENTIRE CONTACT) - 0.00127 MIN NICKEL PER SAE-AMS-QQ-N-290.  
 ON MATING SURFACES- CONFORMS TO ALL TESTING SPECIFIED FOR TELCORDIA UNCONTROLLED ENVIRONMENT  
 ON LEADS- FLASH GOLD PER ASTM B 488, OVER UNDERPLATE  
 LUBRICATION (MIN MATING SURFACES): SURFACE CONDITIONER AFTER PLATING.



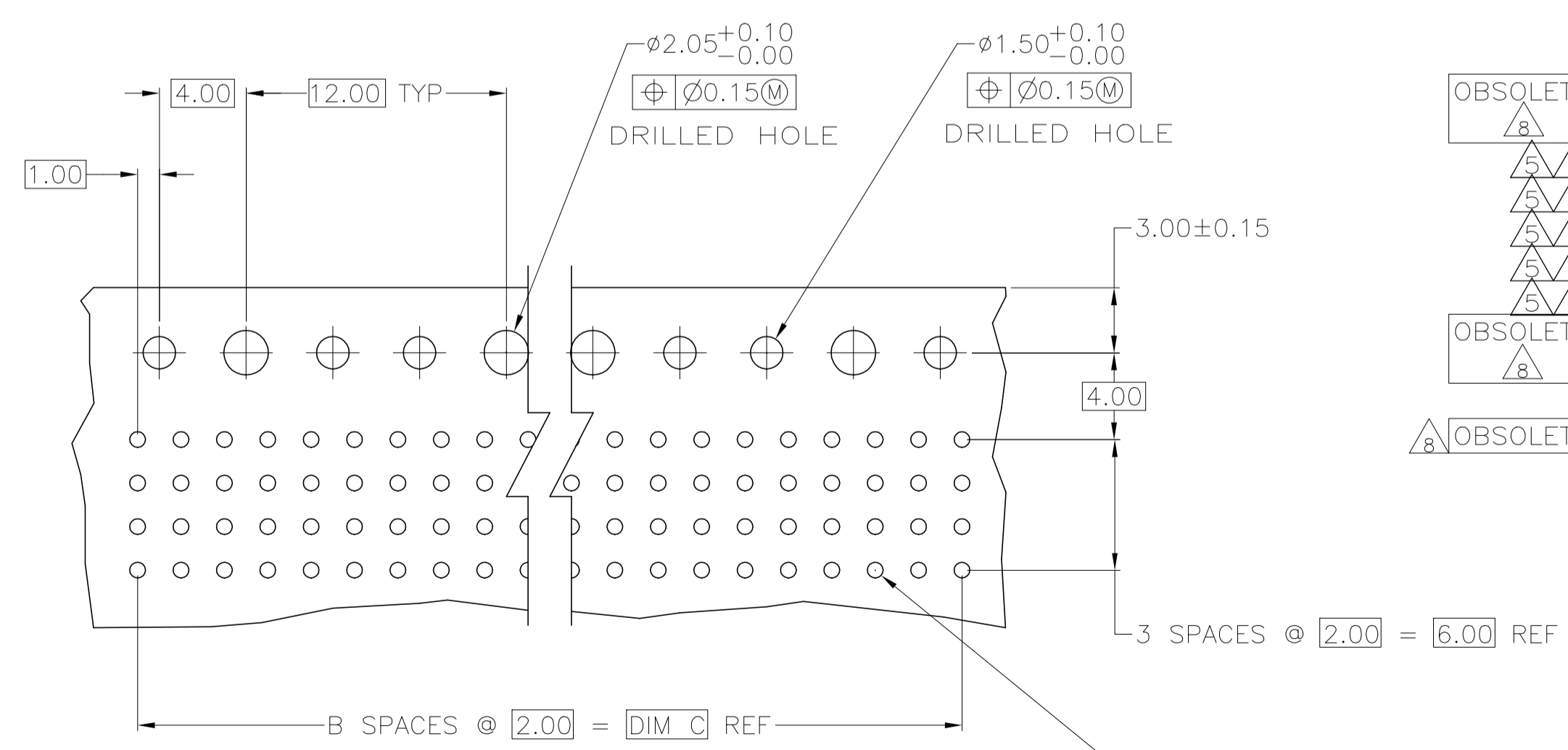
SEE DETAIL X SEE TABLE

SEE DETAIL Z

- 8 OBSOLETE PARTS: OBSOLETE CIS STREAMLINING PER D.RENAUD/D.SINISI
- 9 TE OR TE CONNECTIVITY LOGO IS LOCATED.



TYPICAL COLD HOLD FOR ALL ASSEMBLIES



RECOMMENDED CIRCUIT PATTERN PER IPC-D300 TYPE II, CLASS C (COMPONENT SIDE)

	NO	70	35	71.88	144	2-5536510-8	
	NO	94	47	95.88	192	2-5536510-7	
	NO	46	23	47.88	96	2-5536510-6	
	NO	22	11	23.88	48	2-5536510-5	
	YES	94	47	95.88	192	2-5536510-4	
	YES	46	23	47.88	96	2-5536510-3	
	NO	34	17	35.88	72	1-5536510-5	
	NO	22	11	23.88	48	1-5536510-4	
	NO	94	47	95.88	192	1-5536510-3	
	NO	106	53	107.88	216	1-5536510-2	
	NO	70	35	71.88	144	1-5536510-1	
	NO	130	65	131.88	264	1-5536510-0	
	NO	106	53	107.88	216	5536510-9	
	NO	118	59	119.88	240	5536510-8	
	NO	82	41	83.88	168	5536510-7	
	NO	58	29	59.88	120	5536510-6	
	NO	70	35	71.88	144	5536510-5	
	NO	94	47	95.88	192	5536510-4	
	NO	46	23	47.88	96	5536510-3	
	NO	22	11	23.88	48	5536510-2	
	YES	10	5	11.88	24	5536510-1	
	POSITIONING PEGS	C	B	A	FINISH	NO OF POSN	PART NUMBER

THIS DRAWING IS A CONTROLLED DOCUMENT. DWG: B. MCMASTER 31AUG04, DRW: R. WERTZ 31AUG04, APVD: R. WERTZ 31AUG04, NAME: STE TE Connectivity

DIMENSIONS: mm, TOLERANCES UNLESS OTHERWISE SPECIFIED: 0 PLC ±, 1 PLC ±, 2 PLC ±.13, 3 PLC ±, 4 PLC ±, ANGLES ±.

MATERIAL: 1, 2, FINISH: 3, 7, WEIGHT: 0.000000, SCALE: 4:1, SHEET: 1 OF 1, REV: B

RECEPTACLE ASSEMBLY, SIGNAL MODULE, Z-PACK 2mm FB, 4 ROW, 3.53mm LEAD LENGTH

SIZE: A1, CAGE CODE: 00779, DRAWING NO: C=5536510, RESTRICTED TO: CUSTOMER DRAWING

单击下面可查看定价，库存，交付和生命周期等信息

[>>TE Connectivity\(泰科\)](#)