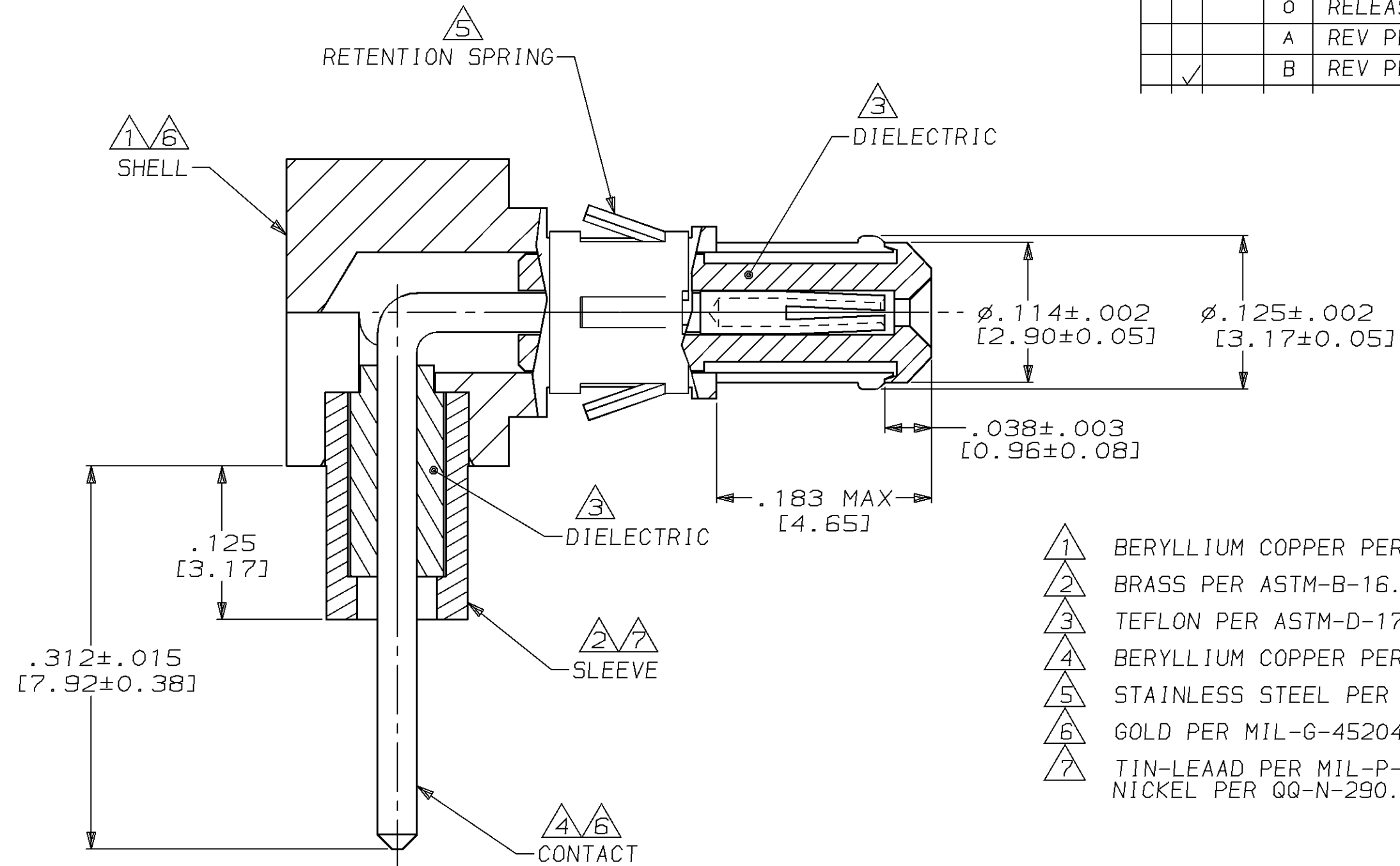


THIS DRAWING IS UNPUBLISHED. RELEASED FOR PUBLICATION, 19 .
 © COPYRIGHT 19 BY AMP INCORPORATED. ALL INTERNATIONAL RIGHTS RESERVED.

PROD	LOC	DIST	P	F
3349	DF	X0		
CODE				

REVISIONS				
ZONE	LTR	DESCRIPTION	DATE	APPD
	0	RELEASED PER 0600-1806-94	CT 3-94	JC
	A	REV PER 0600-2086-94	TT 10-94	JC
✓	B	REV PER 0600-2468-94	CT 1-95	JC



- 1 BERYLLIUM COPPER PER ASTM-B-196.
- 2 BRASS PER ASTM-B-16.
- 3 TEFLON PER ASTM-D-1710.
- 4 BERYLLIUM COPPER PER ASTM-B-197.
- 5 STAINLESS STEEL PER QQ-S-766
- 6 GOLD PER MIL-G-45204 OVER NICKEL PER QQ-N-290.
- 7 TIN-LEAD PER MIL-P-81728 OVER NICKEL PER QQ-N-290.

449864-1
 PART NO.

THIS DRAWING IS A CONTROLLED DOCUMENT FOR AMP INCORPORATED. IT IS SUBJECT TO CHANGE AND THE CONTROLLING ENGINEERING ORGANIZATION SHOULD BE CONTACTED FOR THE LATEST REVISION.

DO NOT SCALE PRINT. UNLESS SPECIFIED DIMENSIONS IN INCHES [mm] TOLERANCES ON: 2 PLC DEC ± - 3 PLC DEC ± .005 [0.13] ANGLES ± -	DR 3-15-94 C.C. THOMAS
	CHK 3-15-94 J. CABARLO
MATERIAL SEE CALLOUTS	APPD 3-15-94 J. CABARLO
	RLSE 3-15-94 C.C. THOMAS
FINISH SEE CALLOUTS	PRODUCT SPEC -
	APPLICATION SPEC -
	WEIGHT -

AMP AMP Incorporated Harrisburg, PA 17105-3608		
NAME PIN ASSY, RT ANGLE, MICROMINIATURE		
SIZE B	CAGE CODE 00779	DRAWING NO C-449864
SCALE 10:1	SHEET 1 OF 1	

单击下面可查看定价，库存，交付和生命周期等信息

[>>TE Connectivity\(泰科\)](#)