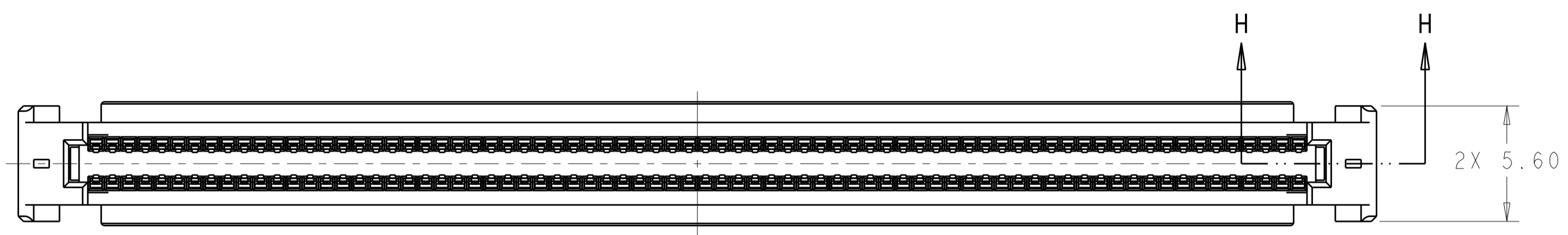
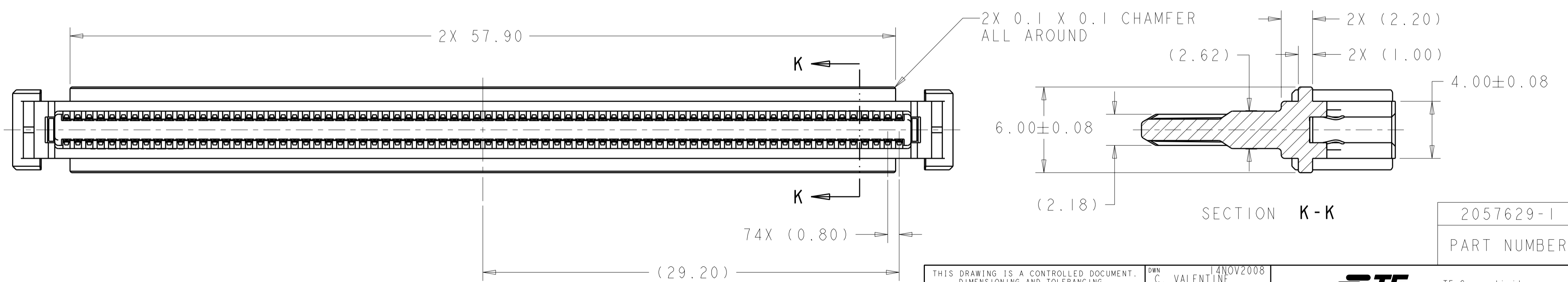
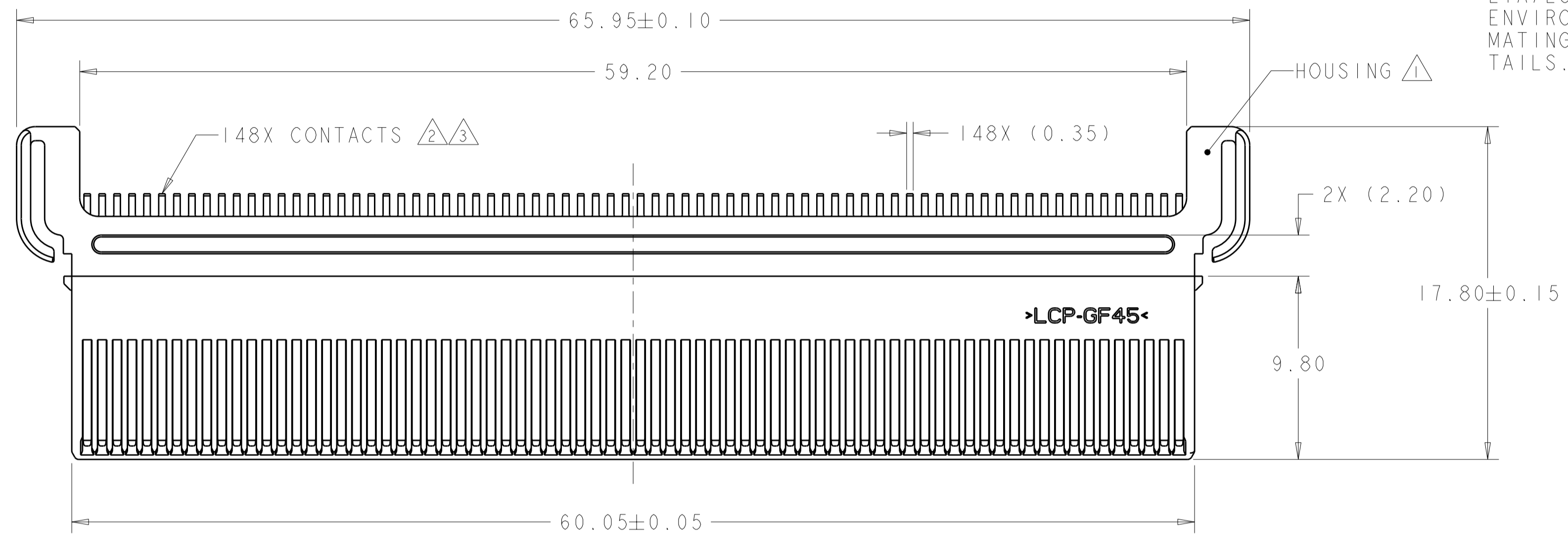


THIS DRAWING IS UNPUBLISHED. RELEASED FOR PUBLICATION 2008
 © COPYRIGHT 2008 BY - ALL RIGHTS RESERVED.

LOC	DIST	REVISIONS			
P	LTR	DESCRIPTION	DATE	DWN	APVD
GP	00	A	RELEASED PER ECO-12-006362	11MAY2012	CJV MRS



- ① HOUSING MATERIAL: POLYESTER LCP.
- ② CONTACT MATERIAL: COPPER ALLOY.
- ③ CONTACT FINISH: CONFORMS TO THE REQUIREMENTS OF TE CONNECTIVITY PRODUCT SPECIFICATION 108-2399. BASED ON EIA/ECA-364-1000.01A, (CONTROLLED ENVIRONMENT APPLICATIONS) ON MATING END, TIN PLATED ON SOLDER TAILS.



2057629-1
 PART NUMBER

THIS DRAWING IS A CONTROLLED DOCUMENT. DIMENSIONING AND TOLERANCING PER ASME Y14.5M-2009		DWN C. VALENTINE 14NOV2008	TE Connectivity NAME CONNECTOR ASSEMBLY, MODULE, 100 GIG PLUGGABLE	
DIMENSIONS: mm		CHK E. BRIGHT 14NOV2008		
TOLERANCES UNLESS OTHERWISE SPECIFIED:		APVD E. BRIGHT 14NOV2008	PRODUCT SPEC 108-2399	
0 PLC ±		APPLICATION SPEC 114-13262		SIZE A2
1 PLC ±		WEIGHT -		CAGE CODE 200779
2 PLC ±0.10		CUSTOMER DRAWING		DRAWING NO 2057629
3 PLC ±		SCALE 5:1		RESTRICTED TO -
4 PLC ±		SHEET 1 OF 2		REV A
ANGLES ±				
FINISH				

4

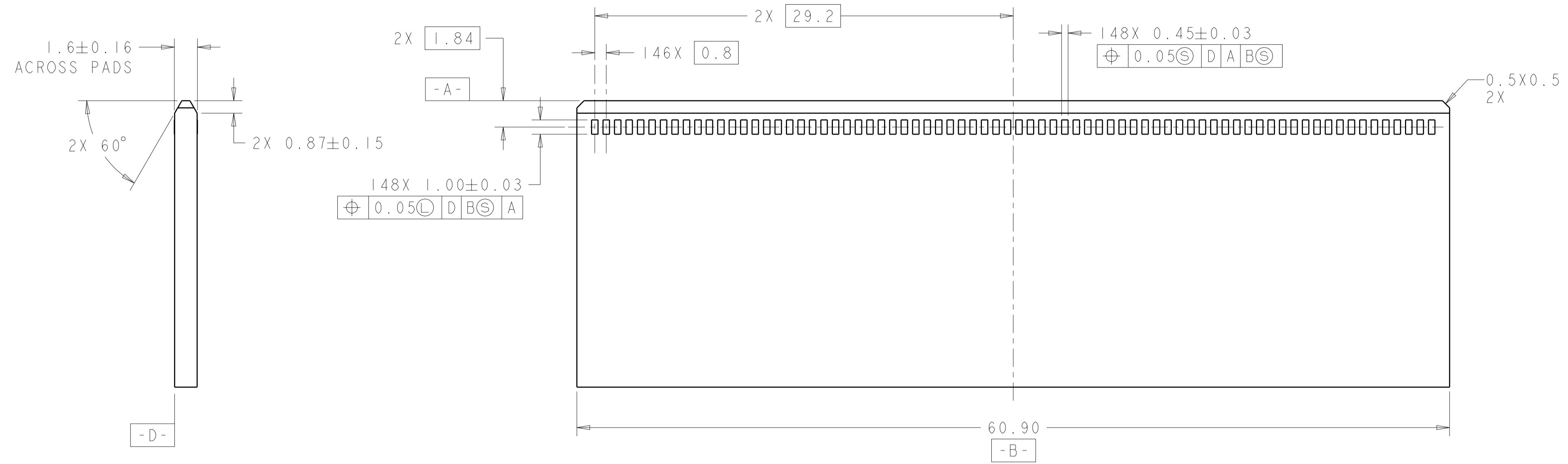
3

2

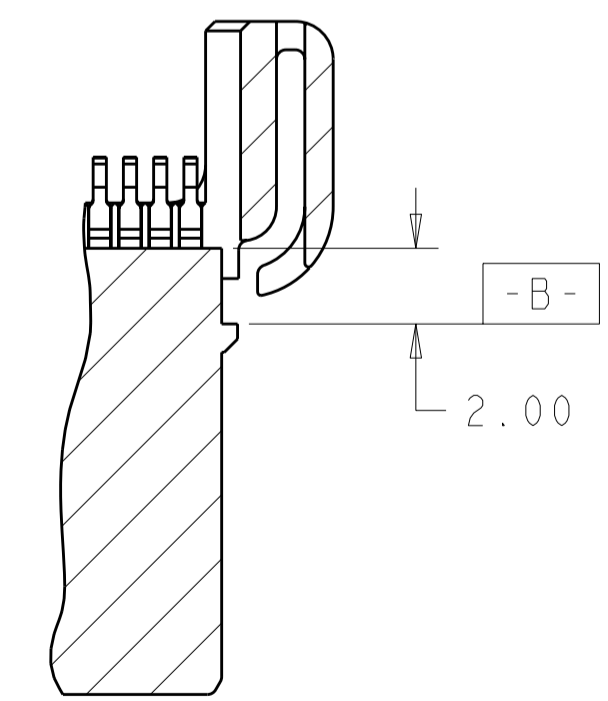
1

THIS DRAWING IS UNPUBLISHED. RELEASED FOR PUBLICATION 2008
 © COPYRIGHT 2008 BY - ALL RIGHTS RESERVED.

LOC	DIST	REVISIONS			
P	LTR	DESCRIPTION	DATE	DWN	APVD
GP	00	-	SEE SHEET 1	-	-



REQUIRED MODULE PC BOARD DIMENSIONS



SECTION H-H

THIS DRAWING IS A CONTROLLED DOCUMENT. DIMENSIONING AND TOLERANCING PER ASME Y14.5M-2009		DWN C. VALENTINE 14NOV2008	TE Connectivity	
DIMENSIONS: mm		CHK E. BRIGHT 14NOV2008		
TOLERANCES UNLESS OTHERWISE SPECIFIED:		APVD E. BRIGHT 14NOV2008	NAME CONNECTOR ASSEMBLY, MODULE, 100 GIG PLUGGABLE	
0 PLC ±	1 PLC ±	PRODUCT SPEC 108-2399	SIZE A200779	CAGE CODE C-2057629
2 PLC ±0.10	3 PLC ±	APPLICATION SPEC 114-13262	DRAWING NO.	RESTRICTED TO
4 PLC ±	ANGLES ±	WEIGHT		
FINISH		CUSTOMER DRAWING	SCALE 5:1	SHEET 2 OF 2 REV A

2057629

单击下面可查看定价，库存，交付和生命周期等信息

[>>TE Connectivity\(泰科\)](#)