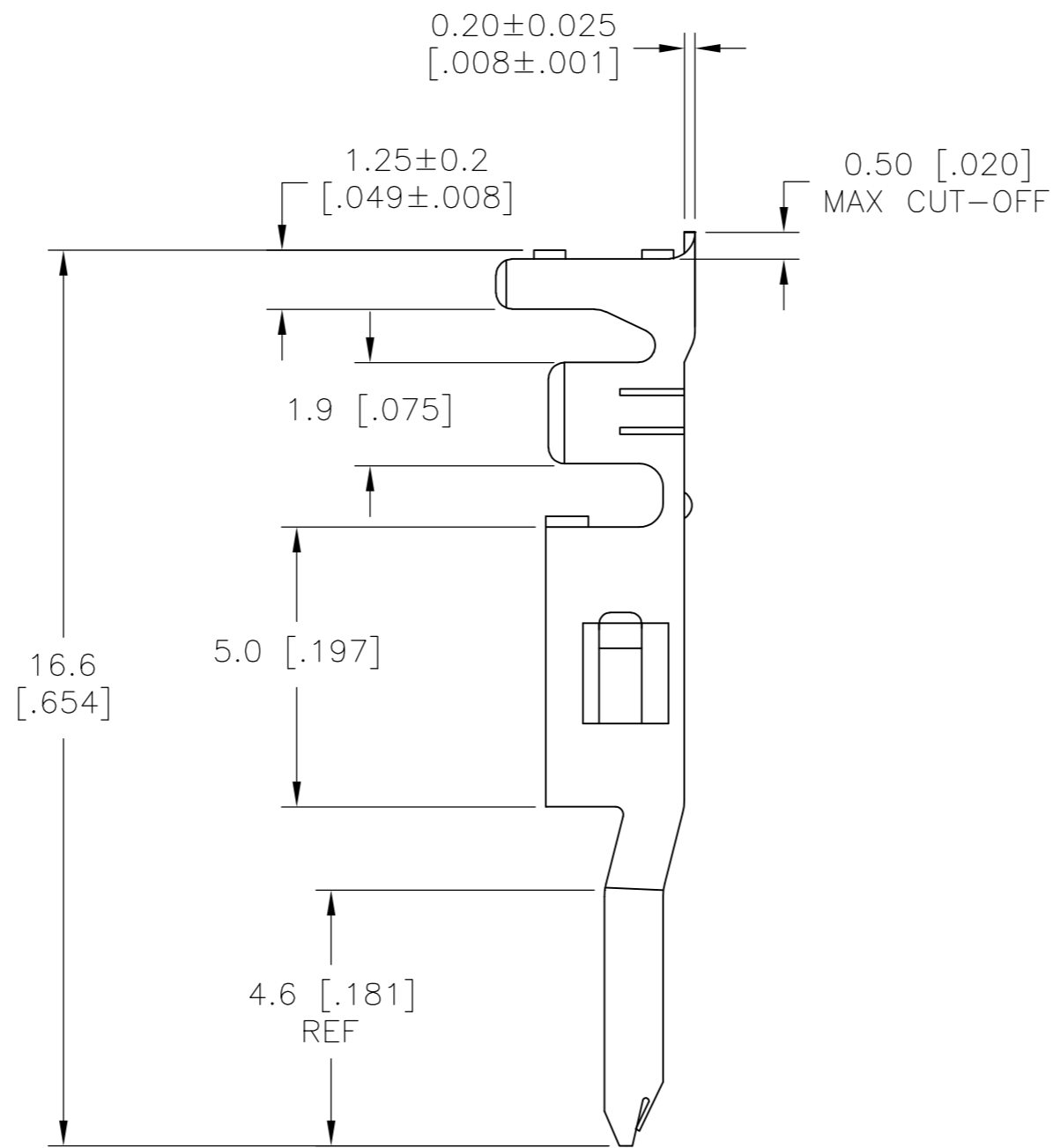
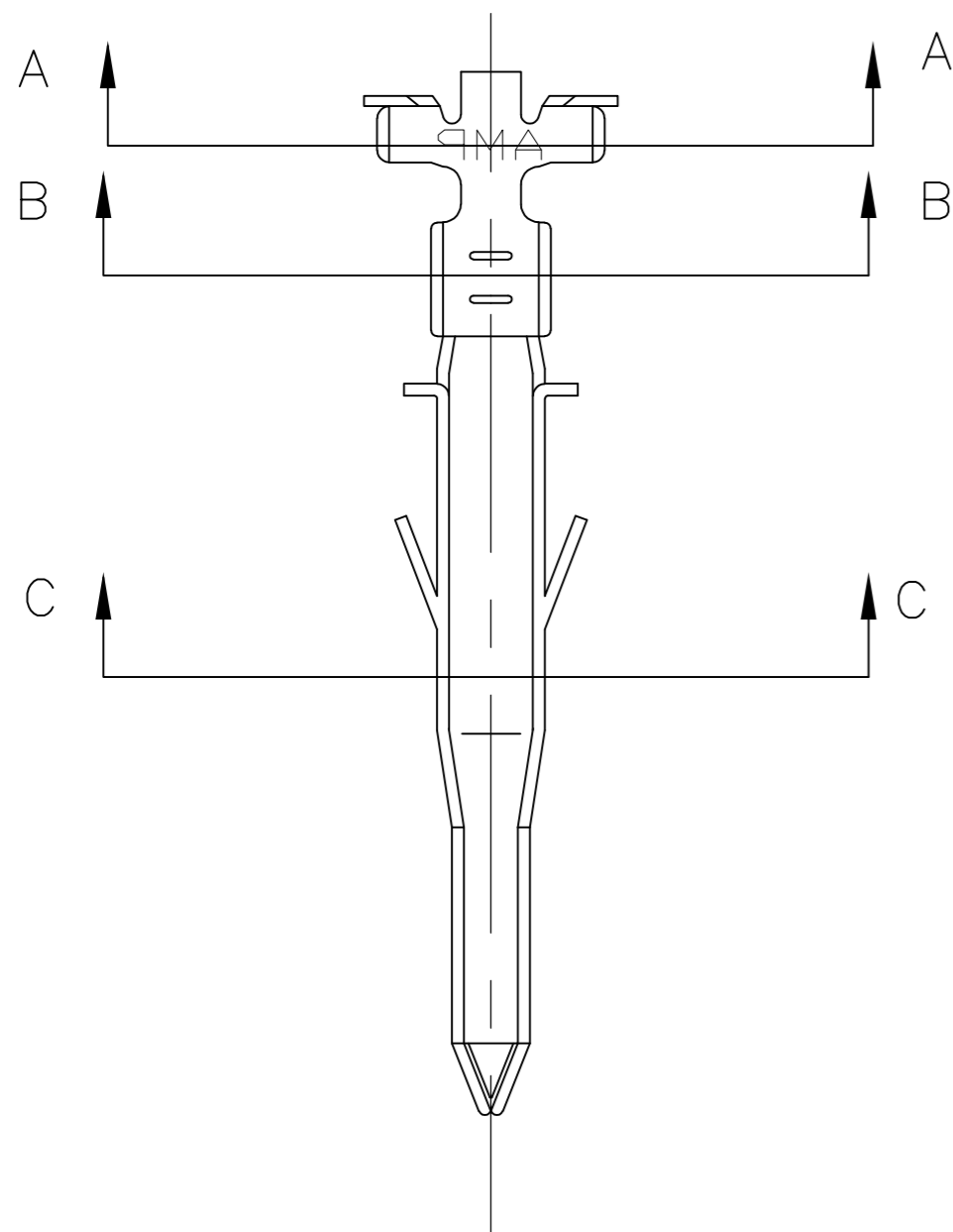
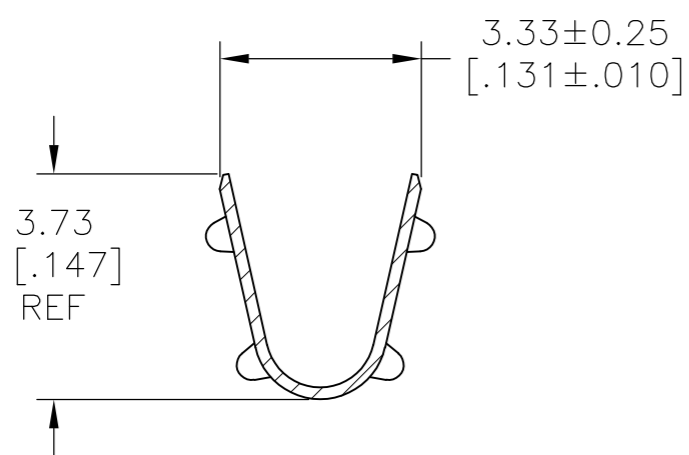


THIS DRAWING IS UNPUBLISHED. RELEASED FOR PUBLICATION
 © COPYRIGHT - By - ALL RIGHTS RESERVED.

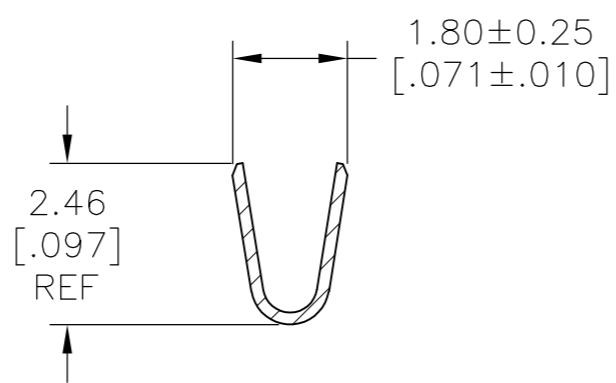
REVISIONS					
P	LTR	DESCRIPTION	DATE	DWN	APVD
A		FIRST RELEASED	15AUG2017	WH	DZ



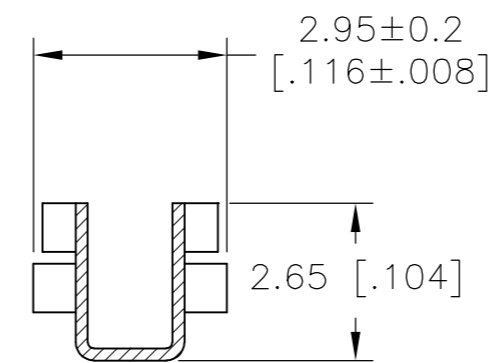
- 1 WIRE RANGE 0.3-0.82mm² [22-18 AWG]
- 2 INSULATION RANGE: DIA 1.50-3.10 mm [.060-.122 in]
- 3 FINISH: 2.54µm [.0001 in] MINIMUM PRE-TIN ALL OVER.
- 4 MATING PART: 2825211-1(STRIPE TYPE) OR 2825213-1(LOOSE TYPE)



SECTION A-A



SECTION B-B



SECTION C-C

PRE-TIN \triangle 3	HIGH PERFORMANCE COPPER ALLOY	2825212-1
FINISH	MATERIAL	PART NO.

THIS DRAWING IS A CONTROLLED DOCUMENT.		DWN WARREN HUO 15AUG2017	TE Connectivity	
DIMENSIONS: mm [INCHES]		CHK DANIEL ZHANG 15AUG2017	NAME DANIEL ZHANG	
TOLERANCES UNLESS OTHERWISE SPECIFIED:		APVD DANIEL ZHANG 15AUG2017	PRODUCT SPEC 108-150000	
0 PLC ± -		APPLICATION SPEC 114-13172		SIZE A2
1 PLC ± 0.25 [.010]		WEIGHT 0		CAGE CODE 00779
2 PLC ± 0.13 [.005]		CUSTOMER DRAWING		DRAWING NO C=2825212
3 PLC ± -		SCALE N/A		SHEET 1 of 1
4 PLC ± -		RESTRICTED TO -		REV A
ANGLES ± -				
FINISH SEE TABLE				

2825212

单击下面可查看定价，库存，交付和生命周期等信息

[>>TE Connectivity\(泰科\)](#)