

4

3

2

1

THIS DRAWING IS UNPUBLISHED. RELEASED FOR PUBLICATION 20  
© COPYRIGHT 20 BY TYCO ELECTRONICS CORPORATION. ALL RIGHTS RESERVED.

LOC	DIST	REVISIONS			
P	LTR	DESCRIPTION	DATE	DWN	APVD
DS	-				
	B	REVISED (ECR-14-005046)	11.JUL.'14	SJ	HG

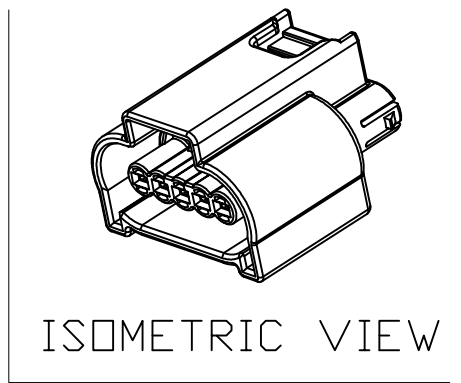
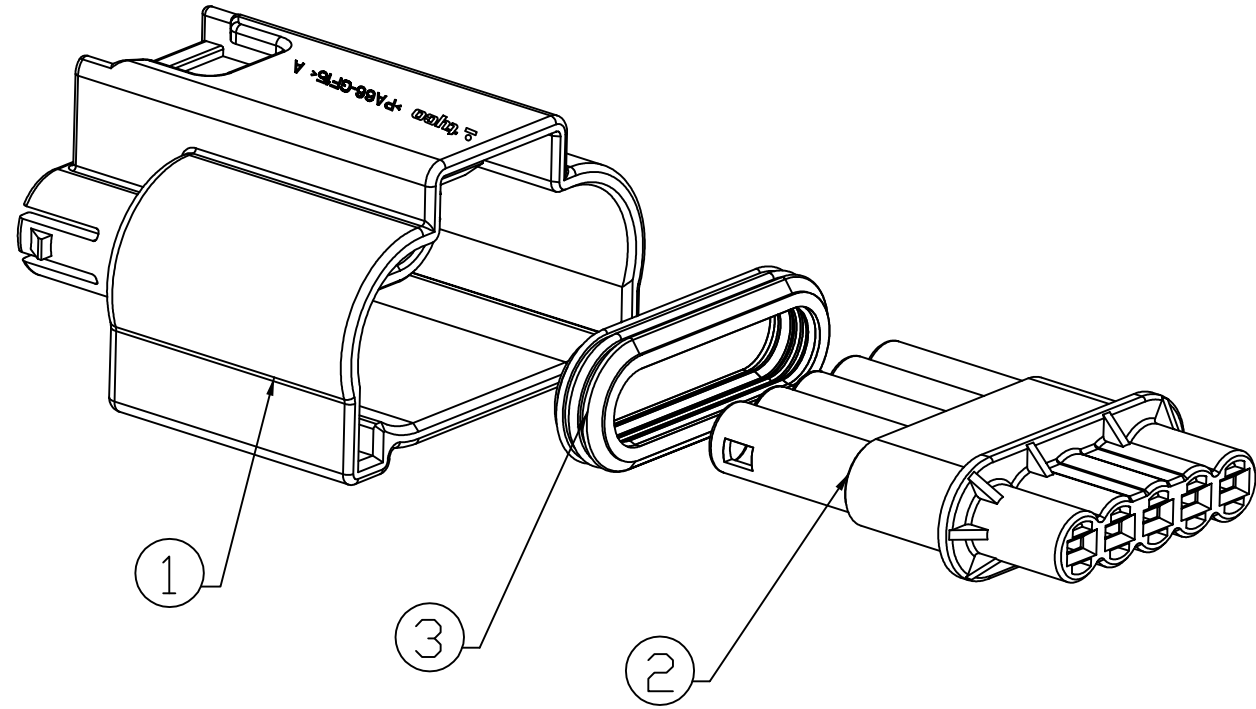
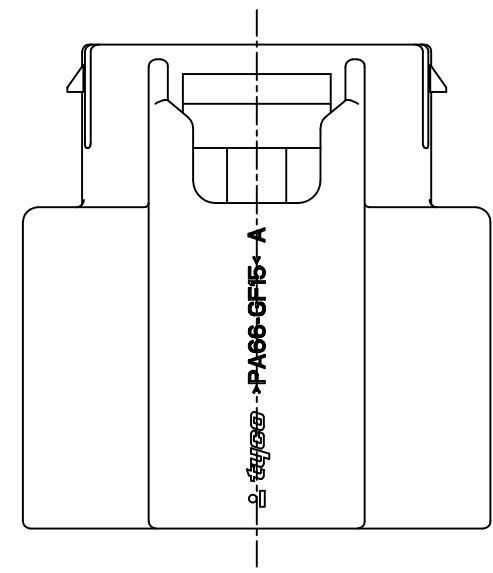


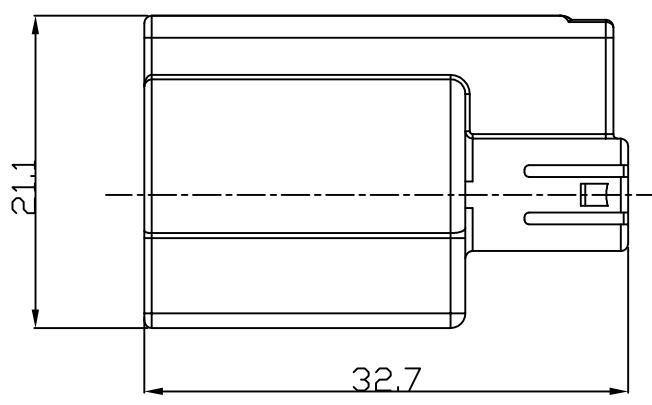
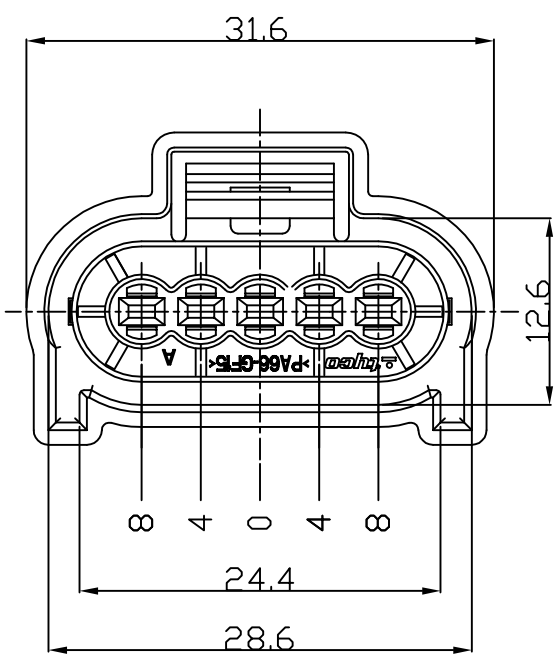
TABLE 2.

TAPE	PART NO.	INSULATION DIA. (mm)	COLOR
MCP1.5	1718705-1	0.9 - 1.2	GREEN
	964971-1	1.2 - 1.6	RED
	963530-1	1.4 - 1.9	GREY
	964972-1	1.9 - 2.3	YELLOW
	963531-1	CAVITY PLUG	WHITE

TABLE 1.

TAPE	PART NO.	WIRE RANGE (mm)	INSULATION DIA. (mm)	FINISH
MCP1.5	1241378-1	0.2 - 0.35	1.1 - 1.4	CuNiSi, Tin
	1241378-2			CuNiSi, Gold
	1241378-3			CuNiSi, Silver
	1241380-1	0.5 - 1.0	1.4 - 2.1	CuNiSi, Tin
	1241380-2			CuNiSi, Gold
	1241380-3			CuNiSi, Silver
	1418884-1	>1.0 - 1.5	2.2 - 2.4	CuNiSi, Tin
	1418884-2			CuNiSi, Gold
	1418884-3			CuNiSi, Silver

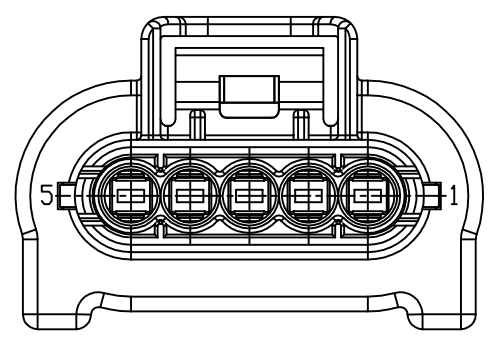
ASSY P/N	DESCRIPTION
1897208-1	1.5 MCP 5P PLUG ASSY



NOTE ;

1. GENERAL TOLERANCE : ±0.3, ±3.0°
2. THE MATING CONNECTOR: 1897207-2
3. APPLICABLE RECETACLE CONTACT P/N: TABLE 1.
4. APPLICABLE WIRE SEAL P/N: TABLE 2

NO.	DESCRIPTION	MATERIAL	COLOR	Q'TY
③	SEAL	SILICON	ORANGE	1
②	SUB PLUG HS'G	PA66-GF15	BLACK	1
①	MAIN PLUG HS'G	PA66-GF15	BLACK	1



THIS DRAWING IS A CONTROLLED DOCUMENT FOR TYCO ELECTRONICS CORPORATION IT IS SUBJECT TO CHANGE AND THE CONTROLLING ENGINEERING ORGANIZATION SHOULD BE CONTACTED FOR THE LATEST REVISION.		DWN SJ CHOI CHK JW JUNG APVD HG CHO PRODUCT SPEC			
DIMENSIONS: MM 		TOLERANCES UNLESS OTHERWISE SPECIFIED: 0 PLC ±- 1 PLC ±0.5 2 PLC ±0.13 3 PLC ±0.013 4 PLC ±0.0001 ANGLES ±-		NAME MCP 1.5 5P PLUG ASSY	
MATERIAL SEE TABLE		FINISH WEIGHT		SIZE A3 CAGE CODE 00779 DRAWING NO C-1897208 RESTRICTED TO -	
CUSTOMER DRAWING				SCALE 2:1 SHEET 1 OF 1 REV B	

单击下面可查看定价，库存，交付和生命周期等信息

[>>TE Connectivity\(泰科\)](#)