

THIS DRAWING IS UNPUBLISHED.

RELEASED FOR PUBLICATION

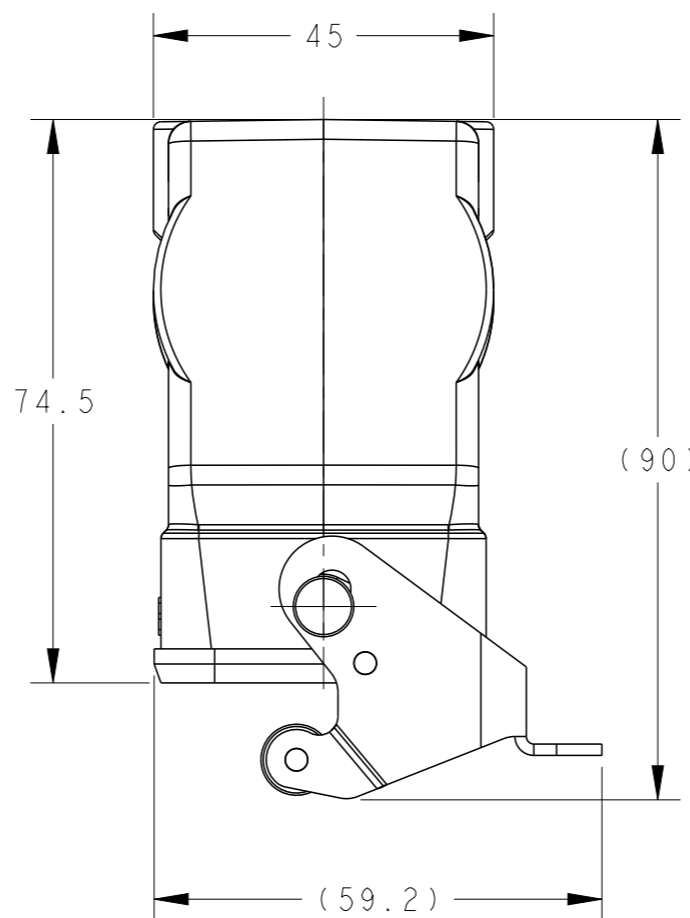
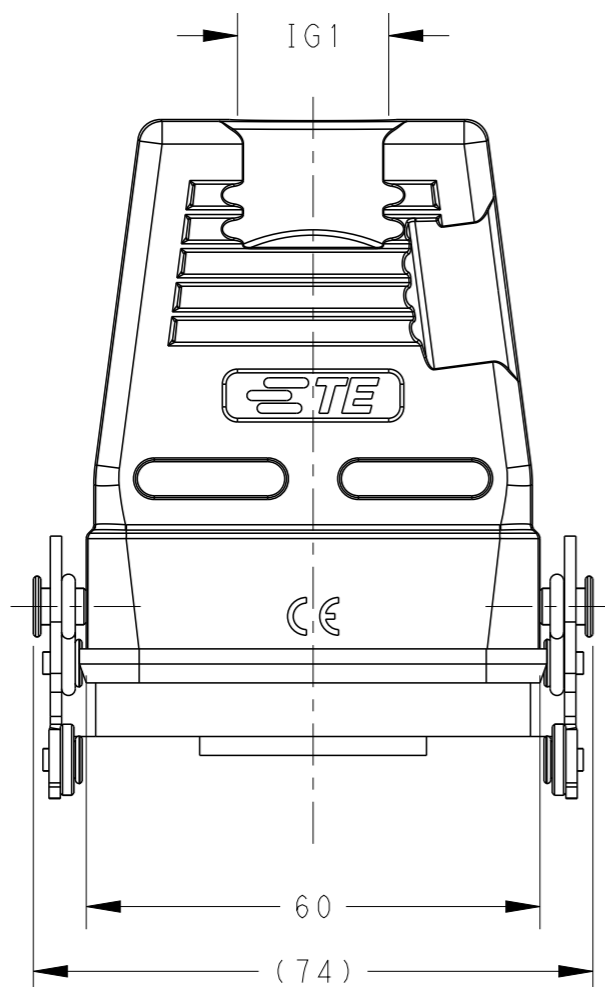
20

© COPYRIGHT 20 BY -

ALL RIGHTS RESERVED.

REVISIONS

P	LTR	DESCRIPTION	DATE	DWN	APVD
	A	INITIAL	23JUN2015	DW	CW
	A1	ECR-15-012067	10AUG2015	DW	CW
	B	ECR-20-007968	22JUN2020	WQR	CW

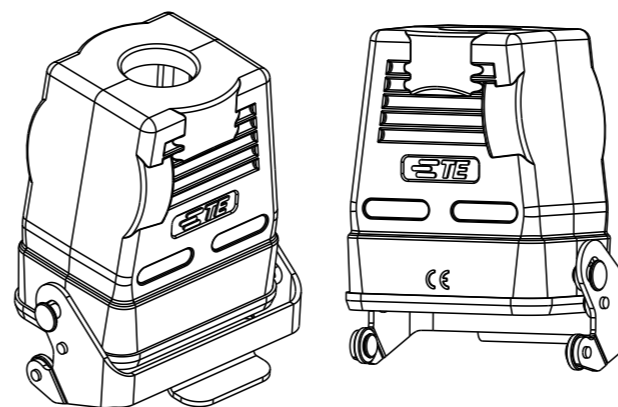
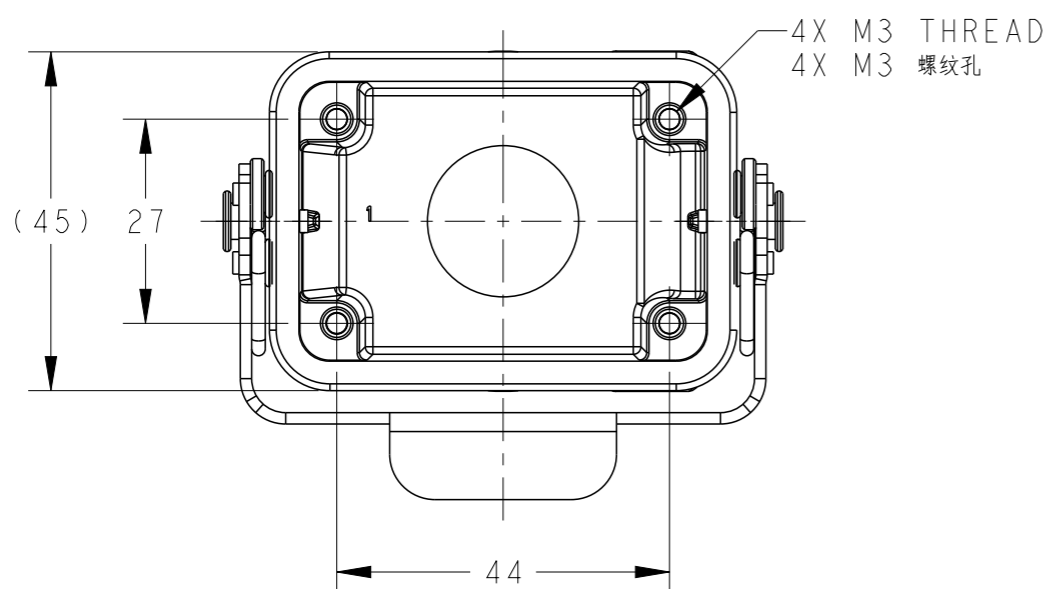


NOTES:

- 1. TECHNICAL CHARACTERISTICS:  
HOOD MATERIAL: DIE CAST ALUMINIUM ALLOY  
SURFACE: POWDER COATED, GREY  
DEGREE OF PROTECTION: IP65 (MATED)

注释:

- 1. 技术参数:  
电缆对接下壳材料: 铝合金  
表面处理: 粉末涂层, 灰色  
防护等级: IP65(配合)



SCALE 1:2

T1770062120-000	H6B-TBFHS-M20	M20
T1770062121-000	H6B-TBFHS-PG21	PG21
T1770062125-000	H6B-TBFHS-M25	M25
T1770062129-000	H6B-TBFHS-PG29	PG29
T1770062132-000	H6B-TBFHS-M32	M32
PART NUMBER	DESCRIPTION	IG1

DIMENSIONS:		TOLERANCES UNLESS OTHERWISE SPECIFIED:		APVD		NAME	
mm		0 PLC	±-	Xiang Xu		H6B-TBFHS-M/PG	
		1 PLC	±-	PRODUCT SPEC		108-137013	
		2 PLC	±-	APPLICATION SPEC		114-137013	
		3 PLC	±-	WEIGHT		-	
		4 PLC	±-	Customer Drawing		SCALE 1:1 SHEET 1 OF 1 REV B	
MATERIAL		FINISH		DATE		RESTRICTED TO	
-		-		23JUN2015		-	
				David Wang			
				Chris Wang			
				23JUN2015			
				23JUN2015			
				TE Connectivity			

单击下面可查看定价，库存，交付和生命周期等信息

[>>TE Connectivity\(泰科\)](#)