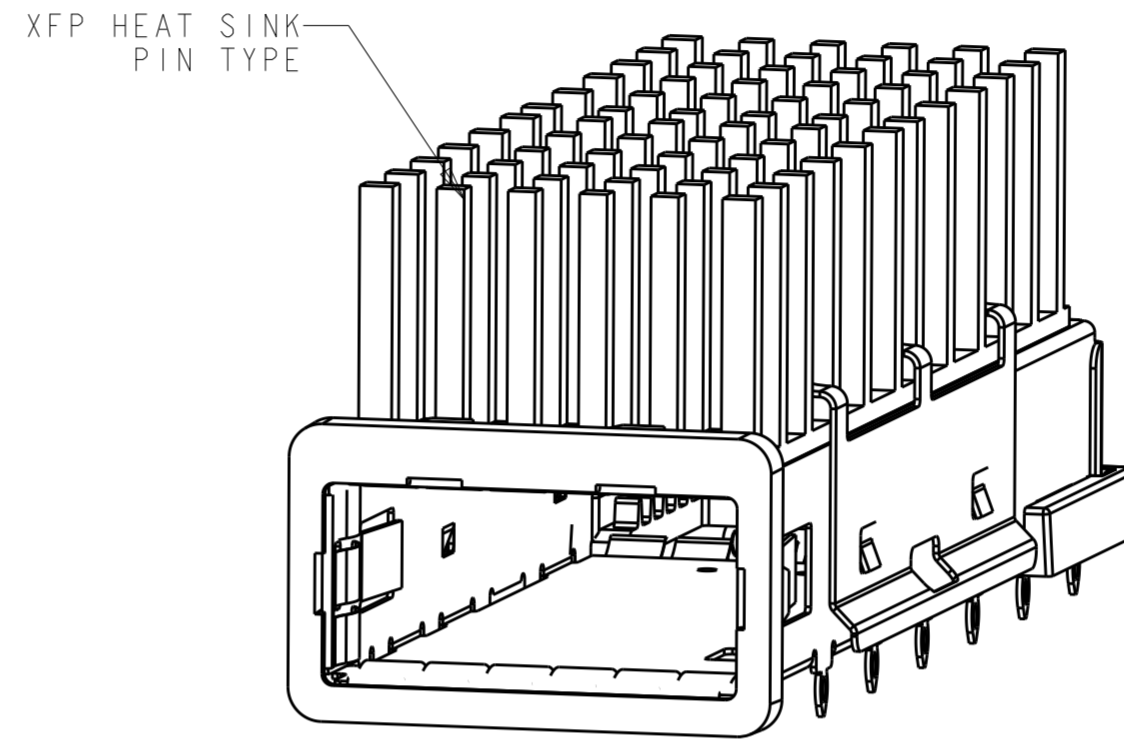
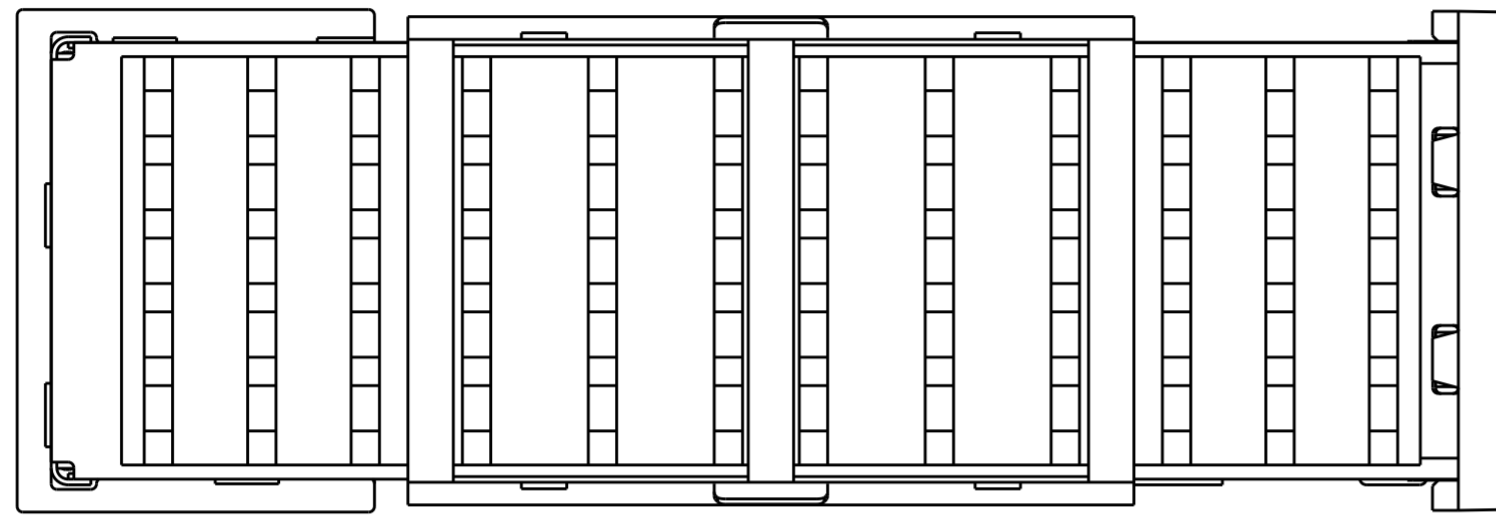
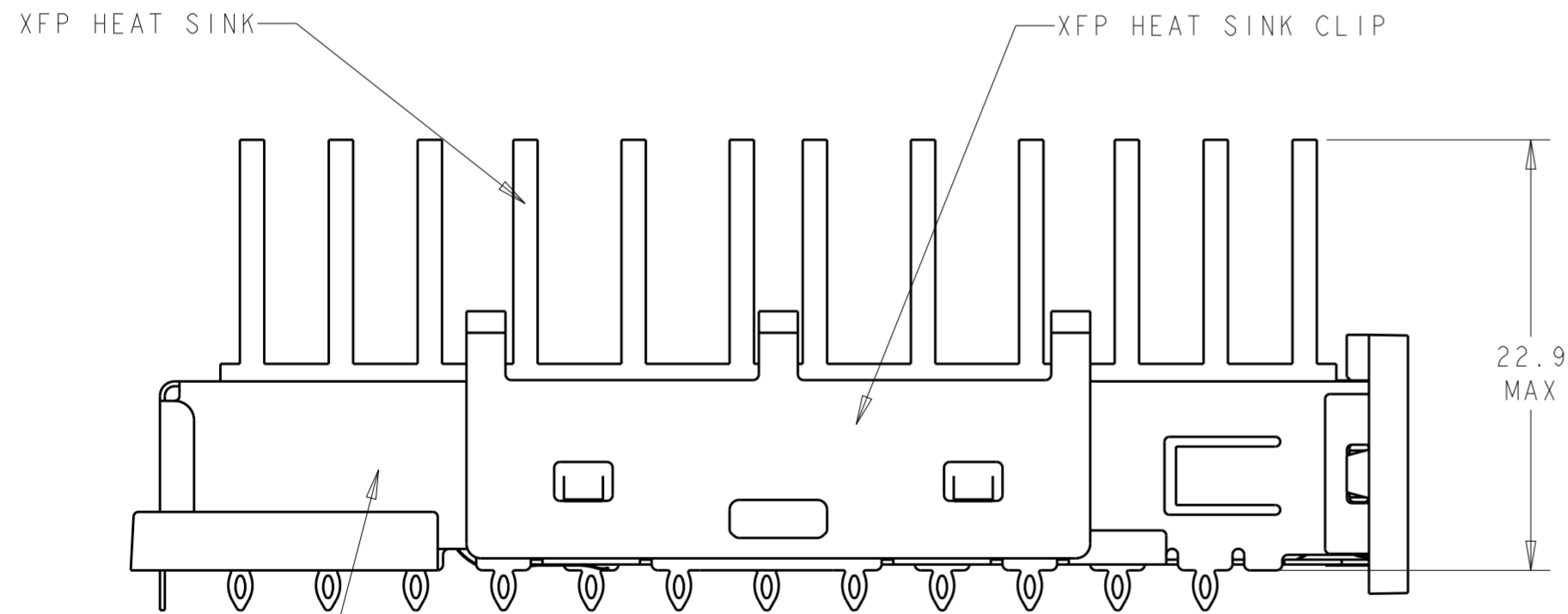


THIS DRAWING IS UNPUBLISHED. RELEASED FOR PUBLICATION 20  
 © COPYRIGHT 20 BY - ALL RIGHTS RESERVED.

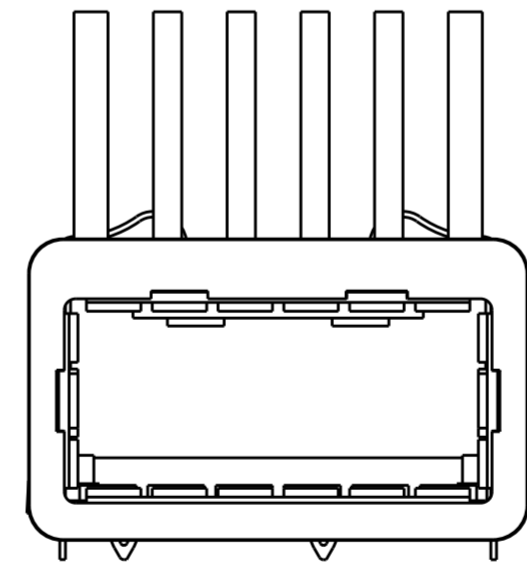
LOC	DIST	REVISIONS					
GP	00	P	LTR	DESCRIPTION	DATE	DWN	APVD
		D	I	REVISED PER ECR-17-012071	17AUG2017	IT	SH
		E		REVISED PER ECO-19-018836	12OCT2019	JY	SH



1888065-1  
SCALE 3:1



XFP CAGE ASSEMBLY



- NOTE
- MATES WITH XFP MSA COMPLIANT TRANSCEIVERS.
  - SEE COMPONENT DRAWINGS FOR COMPONENT DIMENSIONS AND INFORMATION.

ANODIZE BLACK	2363937-2	1489948-2	1489951-1	CUSTOMIZED	1888065-3
ANODIZE BLACK	2170391-2	1489948-2	1489951-1	NETWORKING	1888065-2
NICKEL PLATING	1542706-3	1489948-2	1489951-1	NETWORKING	1888065-1
HEAT SINK FINISH	HEAT SINK PART NUMBER	HEAT SINK CLIP PART NUMBER	CAGE ASSEMBLY PART NUMBER	APPLICATION	PART NUMBER

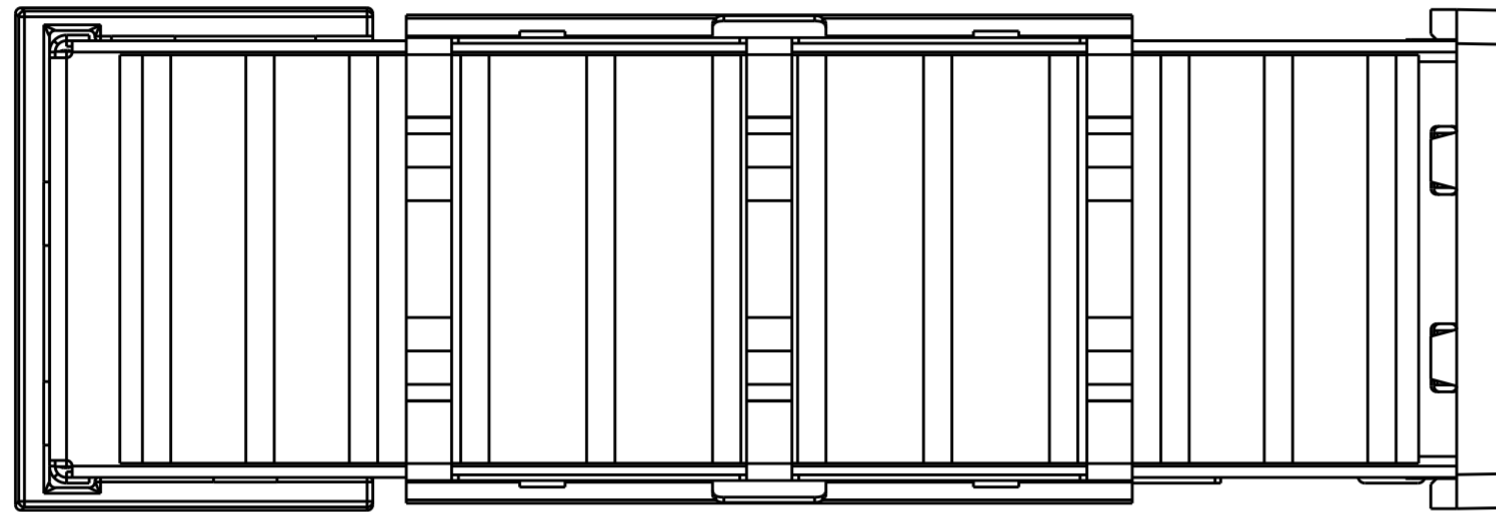
THIS DRAWING IS A CONTROLLED DOCUMENT.

DIMENSIONS: mm	TOLERANCES UNLESS OTHERWISE SPECIFIED:	DWN B. MCMMASTER 24MAY06	<b>STE</b> TE Connectivity
	0 PLC ±	CHK J. KOPPENHEFFER 24MAY06	
	1 PLC ±	APVD J. KOPPENHEFFER 24MAY06	
	2 PLC ±	NAME XFP KIT ASSEMBLY	
	3 PLC ±	PRODUCT SPEC 108-2127	
MATERIAL	FINISH	4 PLC ±	SIZE CAGE CODE DRAWING NO RESTRICTED TO
		ANGLES ±	A200779 C-1888065
		FINISH ±	SCALE 3:1 SHEET 1 OF 3 REV E

CUSTOMER DRAWING

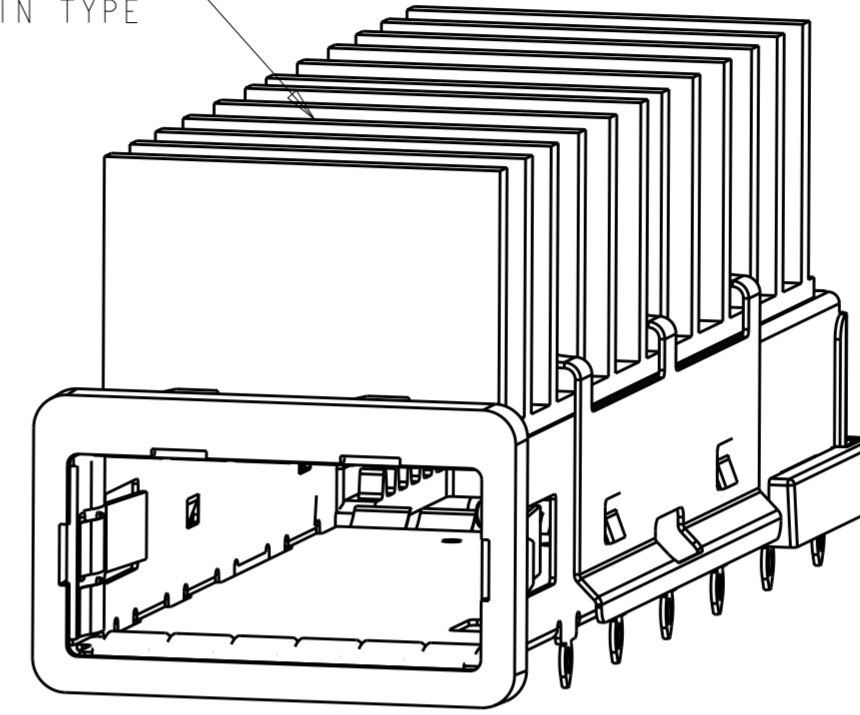
THIS DRAWING IS UNPUBLISHED. RELEASED FOR PUBLICATION 20  
 © COPYRIGHT 20 BY - ALL RIGHTS RESERVED.

LOC	DIST	REVISIONS					
GP	00	P	LTR	DESCRIPTION	DATE	DWN	APVD
		-		SEE SHEET 1	-	-	-

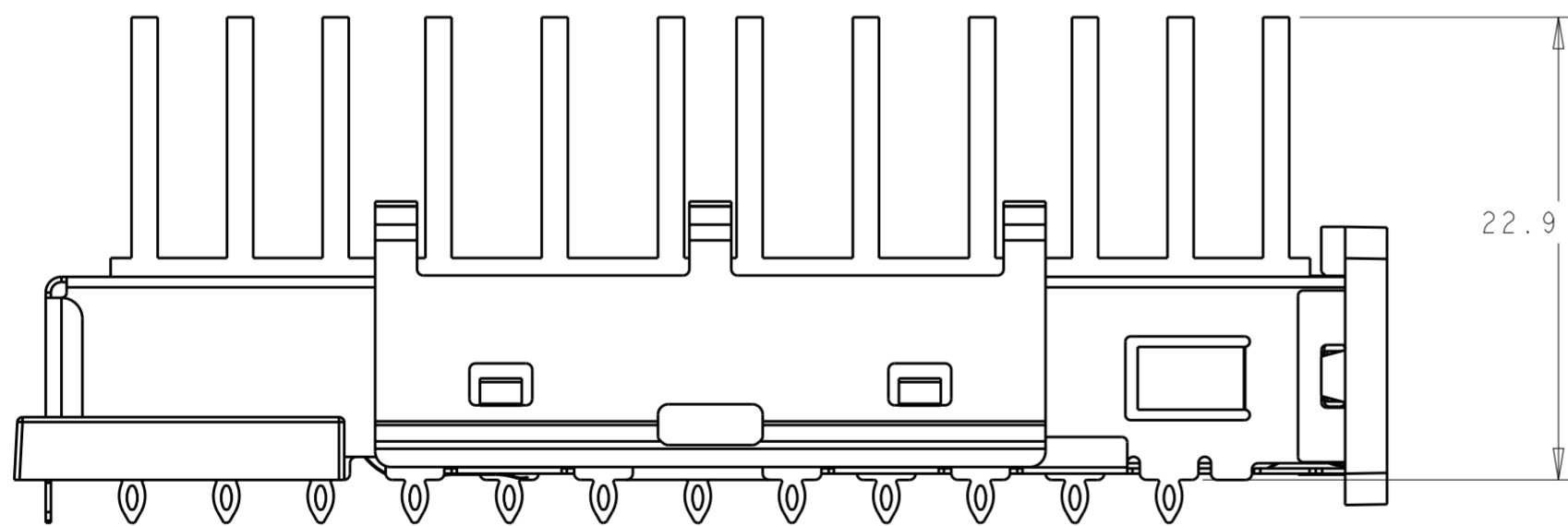


SCALE 3:1

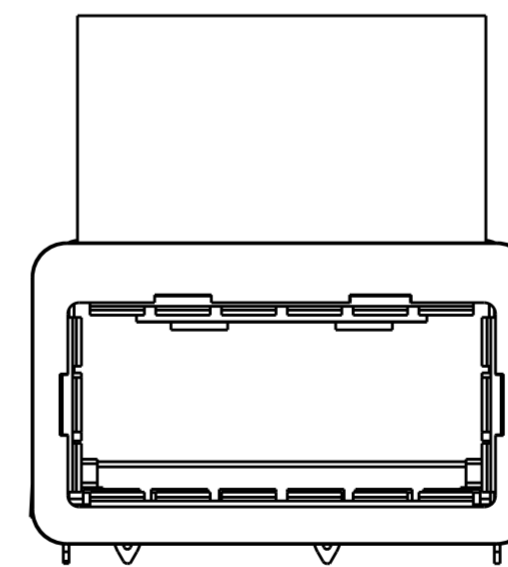
XFP HEAT SINK  
FIN TYPE




1888065-2  
SCALE 3:1



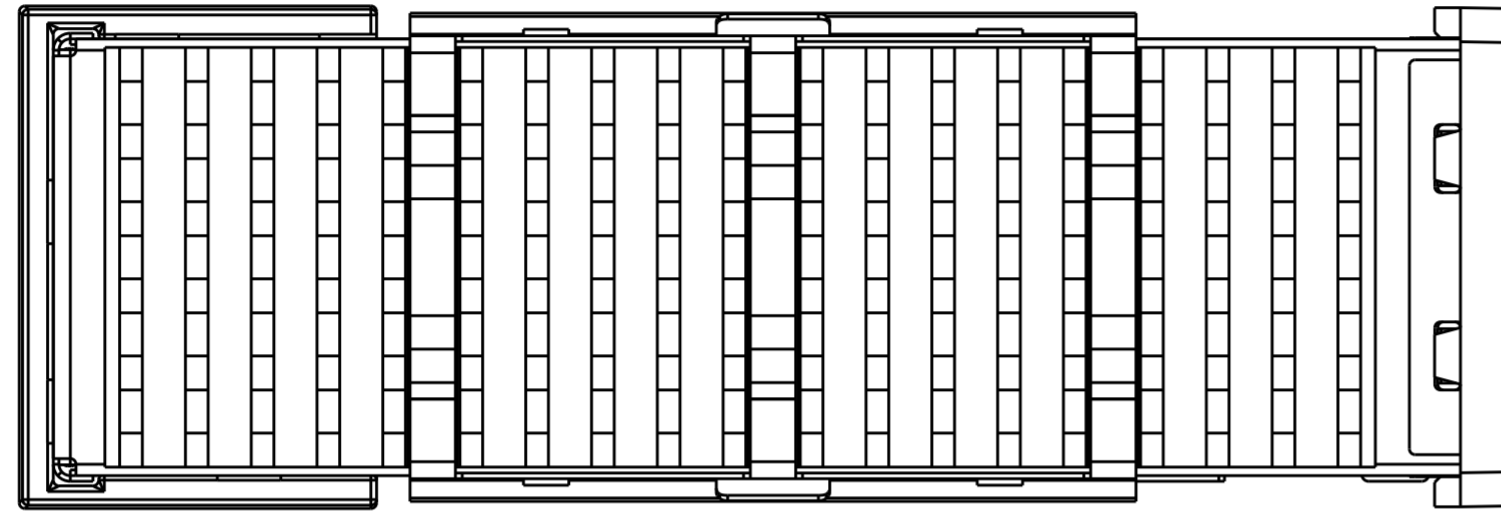
22.9 MAX



THIS DRAWING IS A CONTROLLED DOCUMENT.		DWN B. MCMASTER 24MAY06	 TE Connectivity	
DIMENSIONS:		CHK J. KOPPENHEFFER 24MAY06		
mm	TOLERANCES UNLESS OTHERWISE SPECIFIED:	APVD J. KOPPENHEFFER 24MAY06	NAME XFP KIT ASSEMBLY	
	0 PLC ± 1 PLC ± 2 PLC ± 3 PLC ± 4 PLC ± ANGLES ± FINISH	PRODUCT SPEC 108-2127 APPLICATION SPEC 114-13096 WEIGHT -	SIZE A200779	CAGE CODE C-1888065
MATERIAL	-	CUSTOMER DRAWING	RESTRICTED TO	
			SCALE 3:1	SHEET 2 OF 3 REV E

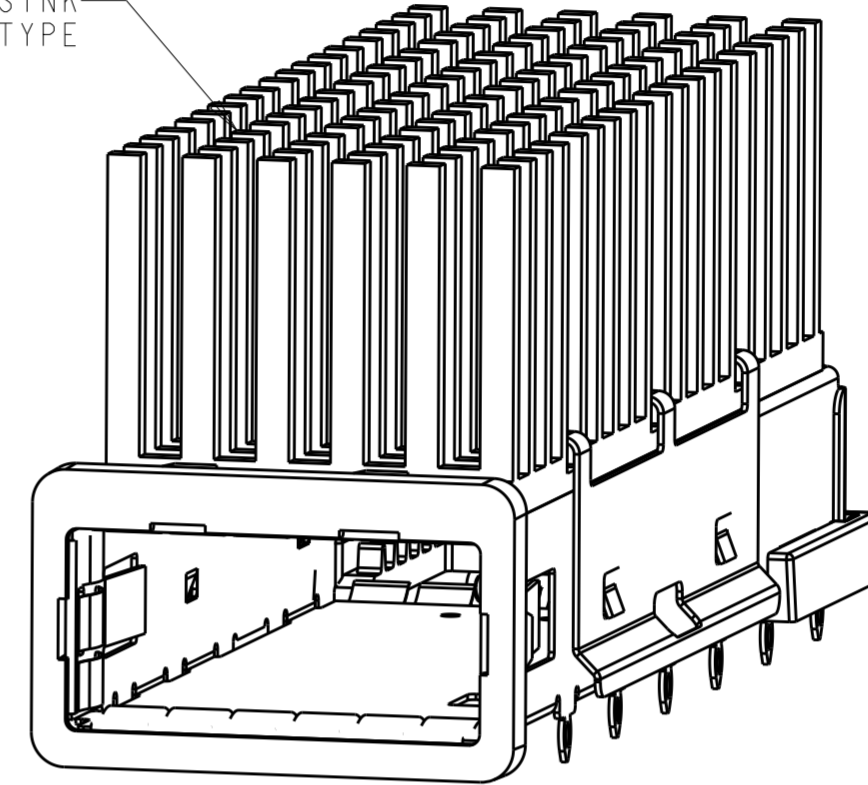
THIS DRAWING IS UNPUBLISHED. RELEASED FOR PUBLICATION 20  
 © COPYRIGHT 20 BY - ALL RIGHTS RESERVED.

LOC	DIST	REVISIONS			
P	LTR	DESCRIPTION	DATE	DWN	APVD
GP	00	-	SEE SHEET 1	-	-

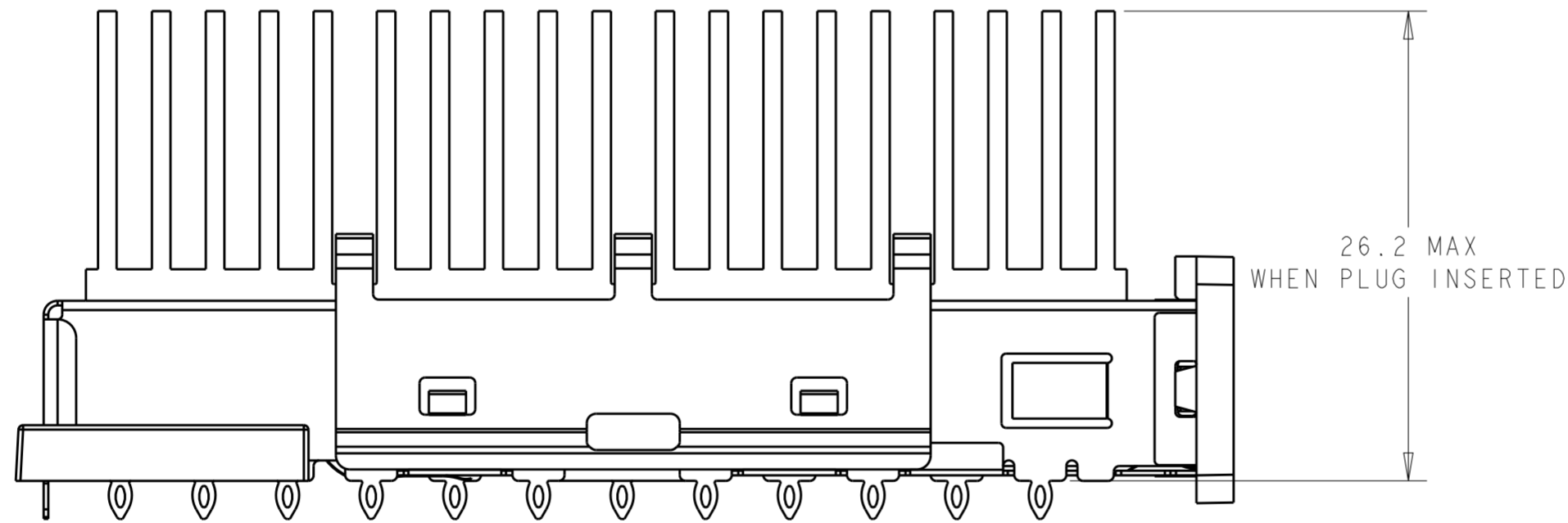


SCALE 3:1

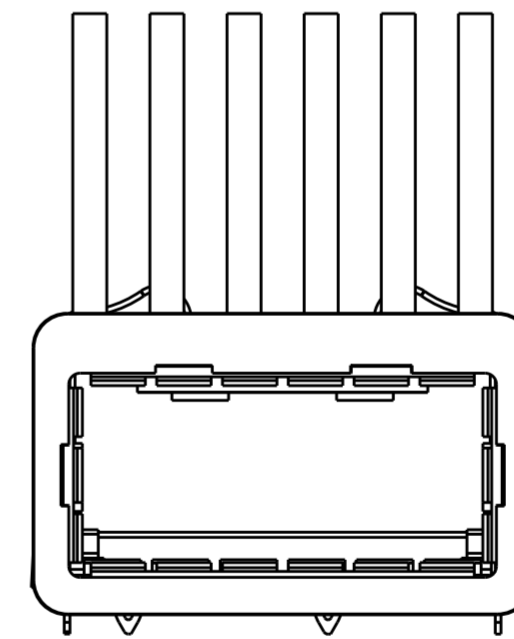
XFP HEAT SINK  
PIN TYPE



1888065-3  
SCALE 3:1



26.2 MAX  
WHEN PLUG INSERTED



THIS DRAWING IS A CONTROLLED DOCUMENT.		DWN B. MCMASTER	24MAY06	<b>STE</b> TE Connectivity
DIMENSIONS:		CHK J. KOPPENHEFFER	24MAY06	
TOLERANCES UNLESS OTHERWISE SPECIFIED:		APVD J. KOPPENHEFFER	24MAY06	
mm		NAME XFP KIT ASSEMBLY		
0 PLC ±		PRODUCT SPEC		SIZE CAGE CODE DRAWING NO RESTRICTED TO
1 PLC ±		108-2127		
2 PLC ±		APPLICATION SPEC		A200779 C-1888065
3 PLC ±		114-13096		
4 PLC ±		WEIGHT		SCALE 3:1 SHEET 3 OF 3 REV E
ANGLES ±		CUSTOMER DRAWING		
FINISH				

单击下面可查看定价，库存，交付和生命周期等信息

[>>TE Connectivity\(泰科\)](#)