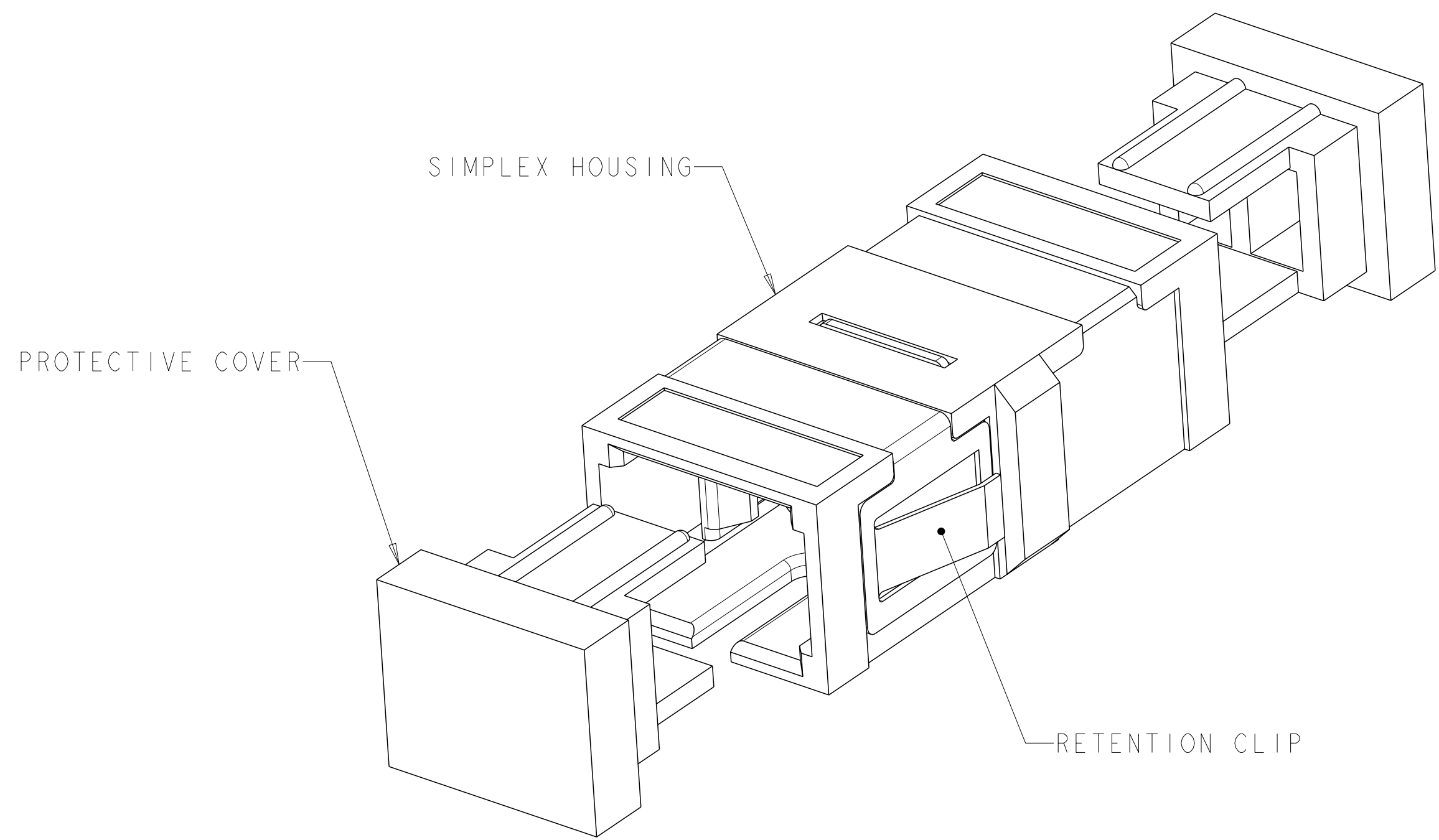
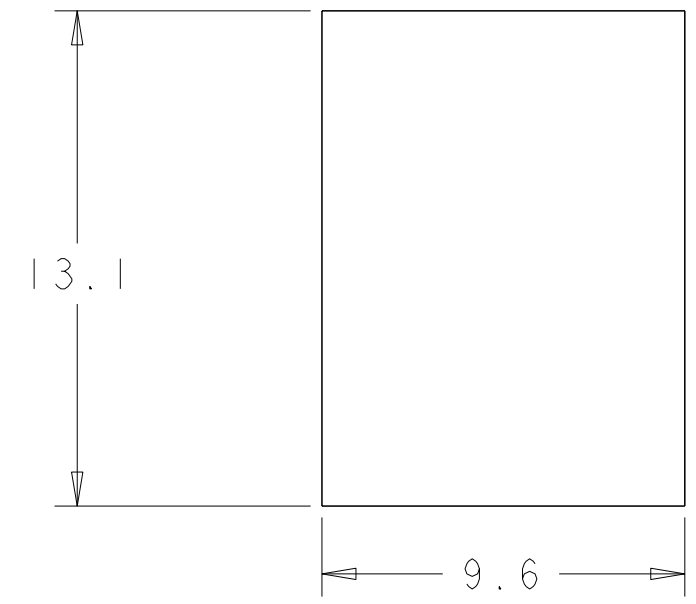
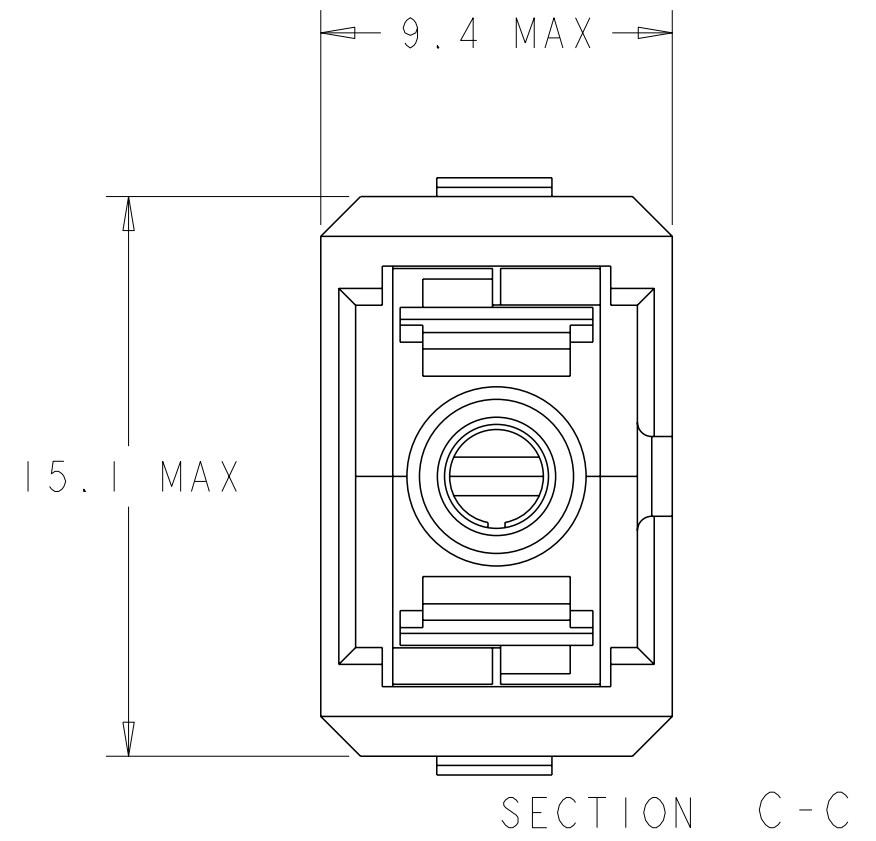
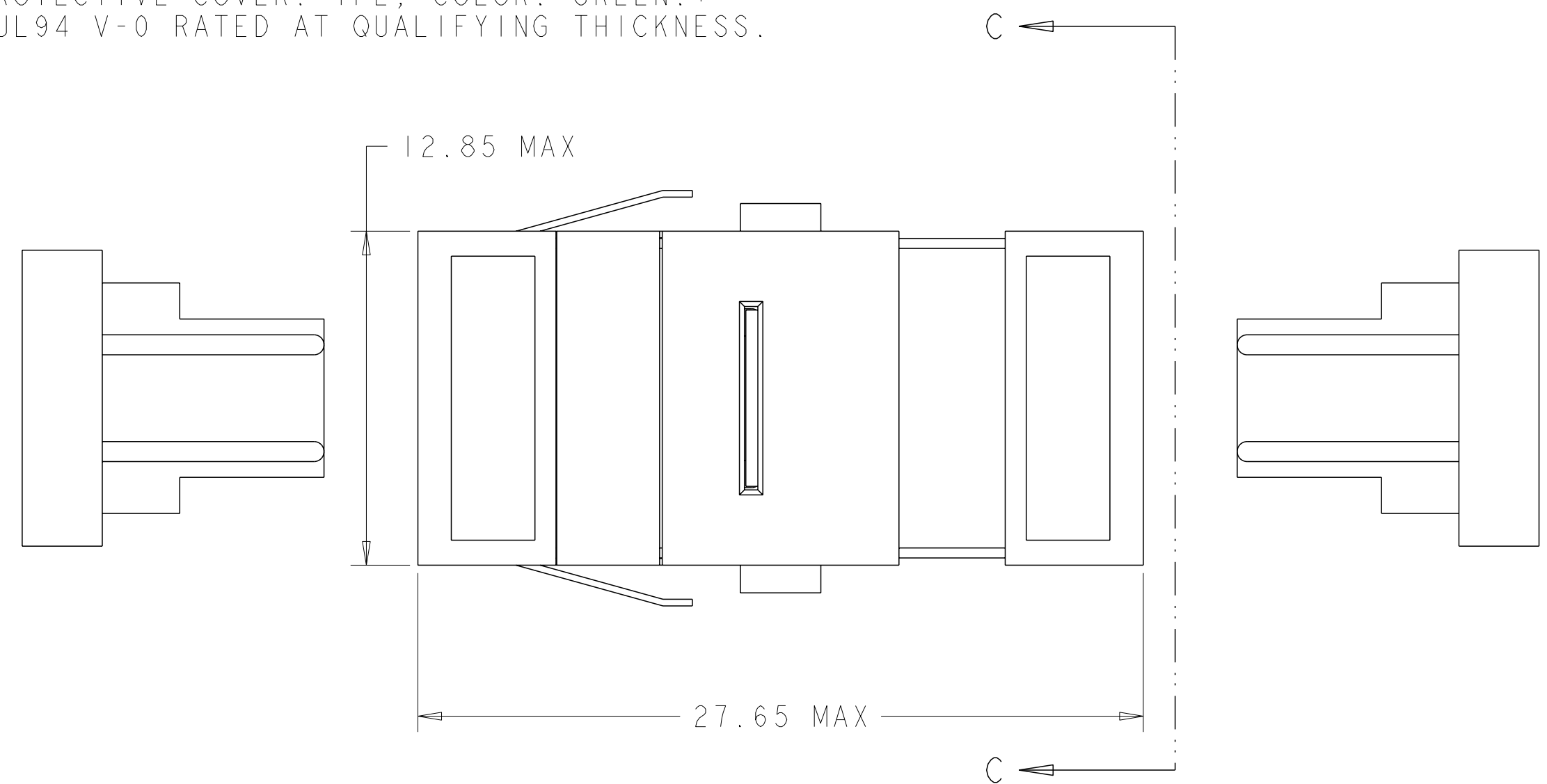


THIS DRAWING IS UNPUBLISHED. RELEASED FOR PUBLICATION
 © COPYRIGHT - ALL RIGHTS RESERVED.

LOC		DIST		REVISIONS			
P	LTR	DESCRIPTION	DATE	DWN	APVD		
B		ECR-14-014954	09OCT2014	HZ	RZ		

MATERIAL:
 HOUSING: PBT-GF30, COLOR: GREEN.*
 RETAINER: PEI-GF30, COLOR: BLACK.*
 RETENTION CLIP: STAINLESS STEEL.
 ALIGNMENT SLEEVE: CERAMIC
 PROTECTIVE COVER: TPE, COLOR: GREEN.*
 *UL94 V-0 RATED AT QUALIFYING THICKNESS.



SUGGESTED PANEL CUTOUT
 MAX PANEL THICKNESS 1.7

1985756-1
 PART NUMBER

THIS DRAWING IS A CONTROLLED DOCUMENT.		DWN B. BRIGGS 03JAN2008	STE TE Connectivity	
		CHK S. MILLER 03JAN2008		
DIMENSIONS: mm		APVD S. BUCHTER 03JAN2008	NAME ADAPTER, SC, SIMPLEX, APC	
TOLERANCES UNLESS OTHERWISE SPECIFIED: 0 PLC ± 1 PLC ±0.1 2 PLC ±0.05 3 PLC ± 4 PLC ±		PRODUCT SPEC -	RESTRICTED TO -	
MATERIAL -		FINISH -	APPLICATION SPEC -	WEIGHT -
-		CUSTOMER DRAWING	SIZE A200779	CAGE CODE C-1985756
-		SCALE 5:1	DRAWING NO -	SHEET 1 OF 1
-				REV B

单击下面可查看定价，库存，交付和生命周期等信息

[>>TE Connectivity\(泰科\)](#)