

4

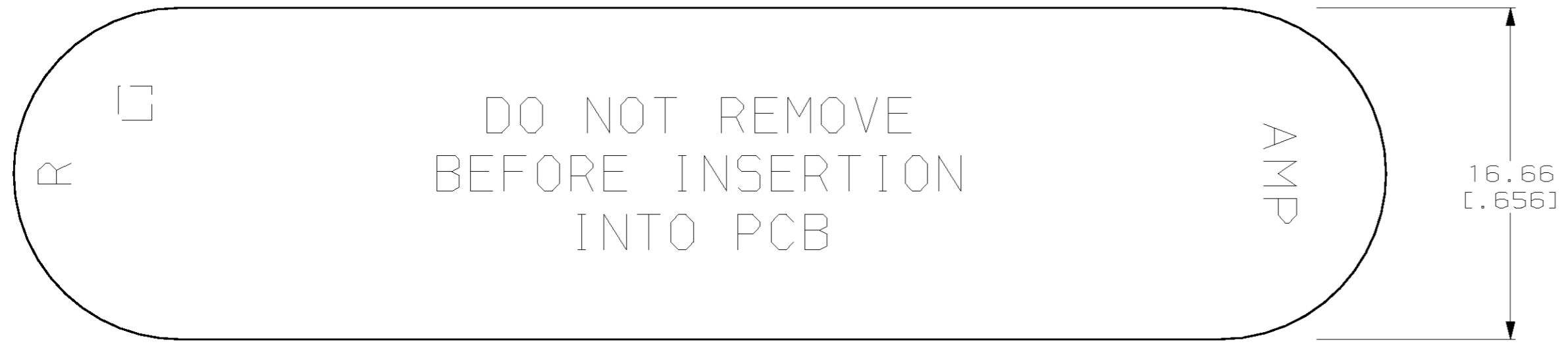
3

2

1

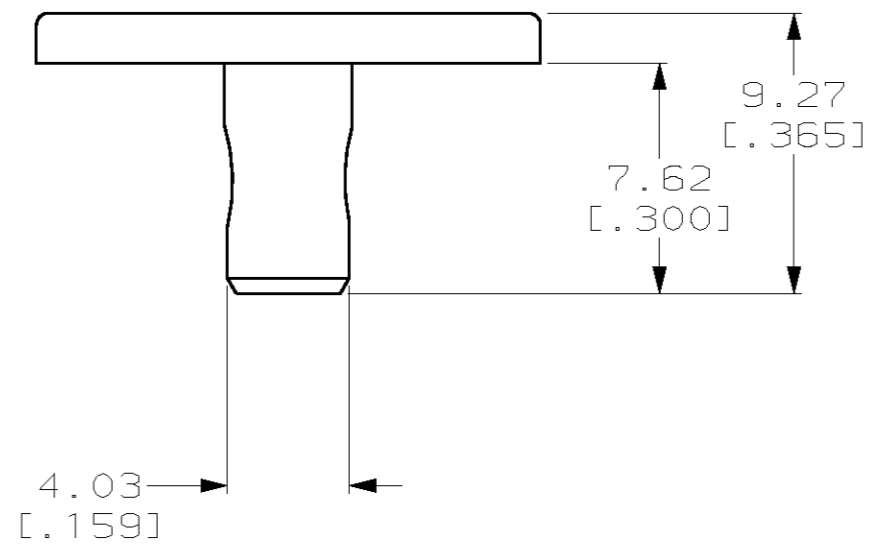
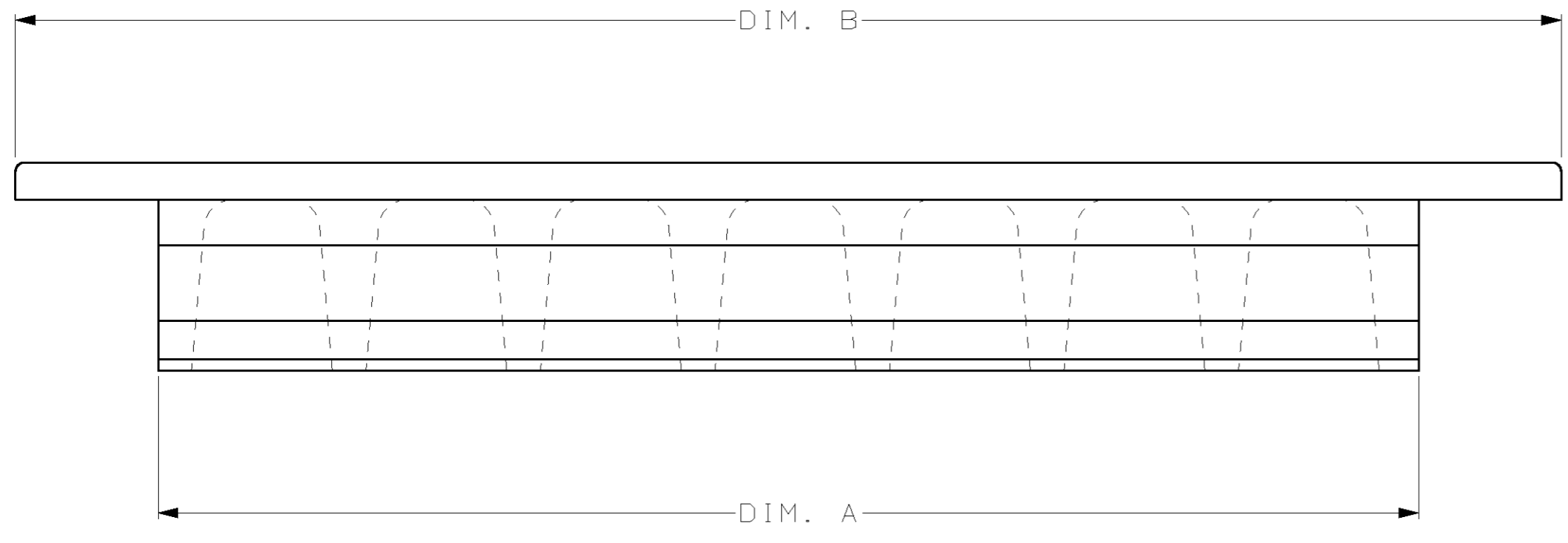
THIS DRAWING IS UNPUBLISHED. RELEASED FOR PUBLICATION, 19
 (C) COPYRIGHT 19 BY AMP INCORPORATED, ALL RIGHTS RESERVED.

LOC		DIST		REVISIONS			
P	LTR	DESCRIPTION		DATE	DWN	APVD	
AA	20	A		REVISED; EC 0UFO-0130-01	28SEP01	DLD	EWB



- 1. MATERIAL: POLYETHYLENE MOLDING COMPOUND, NATURAL.
- 2. DIMENSIONS ARE MAXIMUM UNLESS OTHERWISE SPECIFIED.

553441-4 SHOWN



64	84.07 [3.310]	71.37 [2.810]	553441-5
50	68.84 [2.710]	56.13 [2.210]	553441-4
36	53.59 [2.110]	40.89 [1.610]	553441-3
24	40.89 [1.610]	28.19 [1.110]	553441-2
14	29.72 [1.170]	17.02 [0.670]	553441-1
POSITION	DIM. B	DIM. A	PART NUMBER

THIS DRAWING IS A CONTROLLED DOCUMENT.		DWN DL DRUMMOND 265EP2001	AMP Incorporated Harrisburg, PA 17105-3608													
DIMENSIONS: mm [INCHES]		CHK DL DRUMMOND 265EP2001														
TOLERANCES UNLESS OTHERWISE SPECIFIED:		APVD EW BEILES 285EP2001														
<table border="0"> <tr><td>0 PLC</td><td>±</td></tr> <tr><td>1 PLC</td><td>±</td></tr> <tr><td>2 PLC</td><td>±</td></tr> <tr><td>3 PLC</td><td>±</td></tr> <tr><td>4 PLC</td><td>±</td></tr> <tr><td>ANGLES</td><td>±</td></tr> </table>		0 PLC	±	1 PLC	±	2 PLC	±	3 PLC	±	4 PLC	±	ANGLES	±	PRODUCT SPEC -	NAME RETAINER RECEPTACLE, ACTION PIN, CHAMP-LOK	
0 PLC	±															
1 PLC	±															
2 PLC	±															
3 PLC	±															
4 PLC	±															
ANGLES	±															
MATERIAL 	FINISH -	APPLICATION SPEC -	SIZE A2	CAGE CODE 00779												
CUSTOMER DRAWING		WEIGHT -	DRAWING NO C-553441	RESTRICTED TO -												
		SCALE 4:1	SHEET 1 OF 1	REV A												

553441

单击下面可查看定价，库存，交付和生命周期等信息

[>>TE Connectivity\(泰科\)](#)