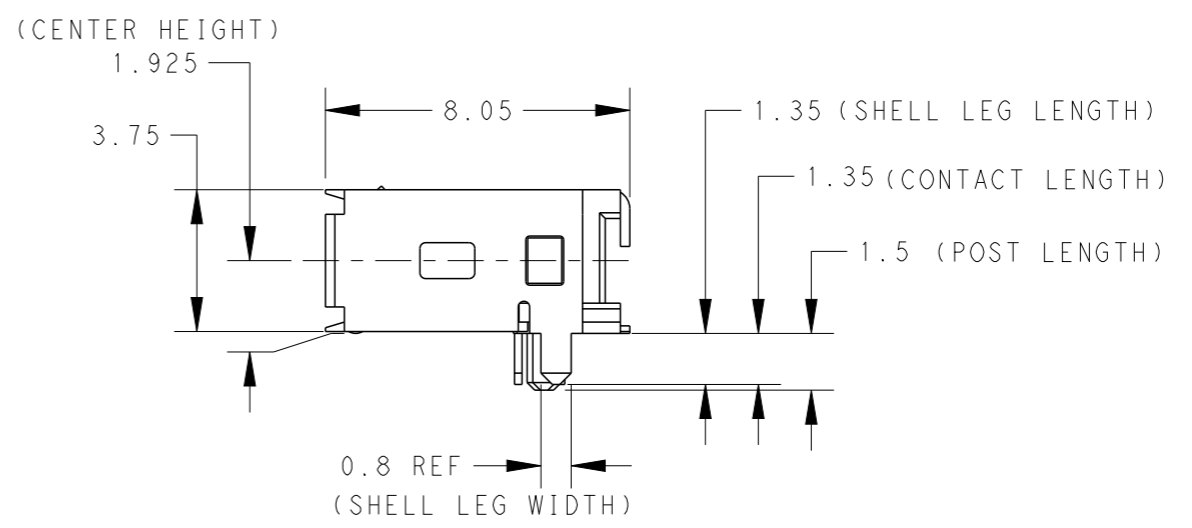
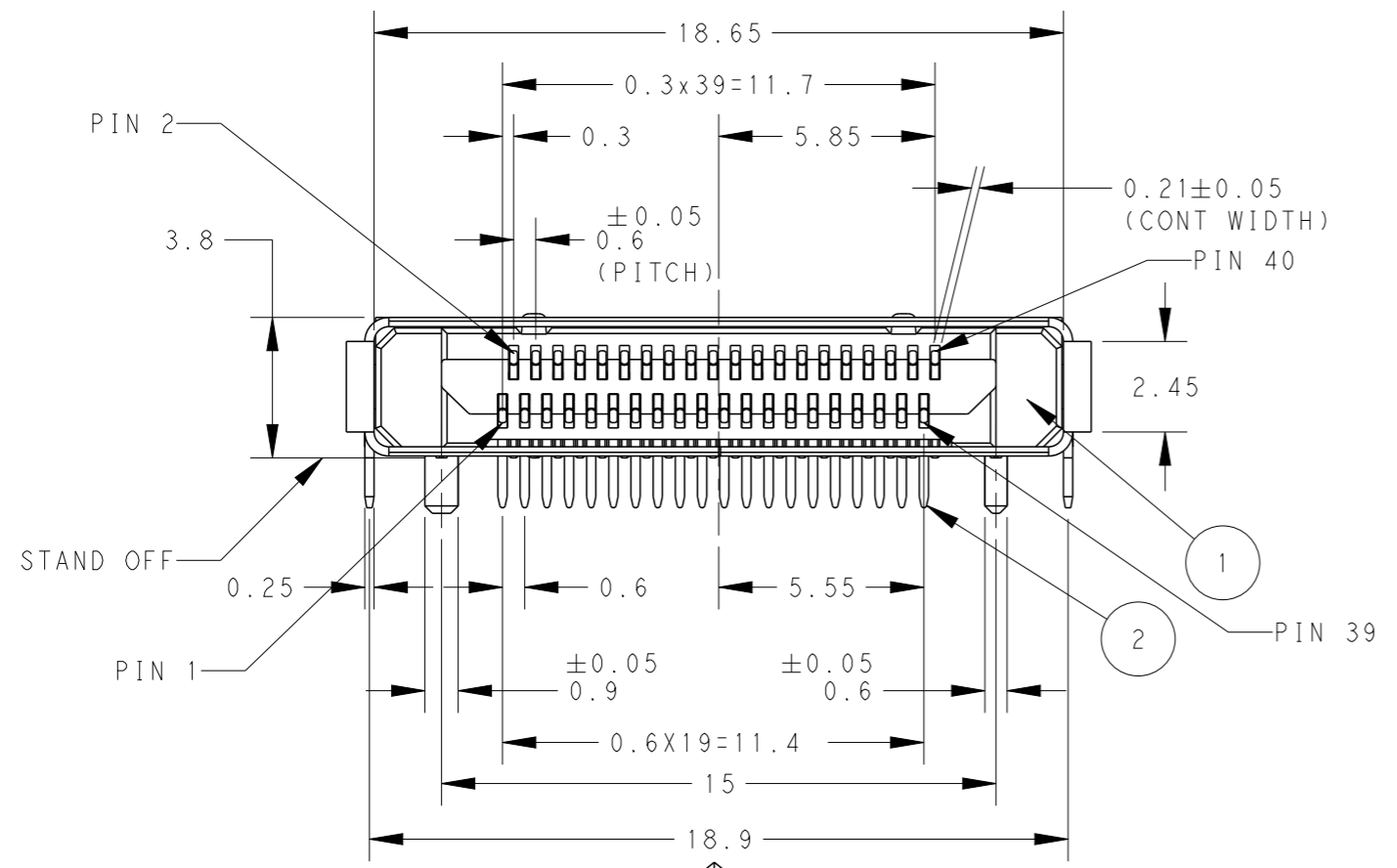
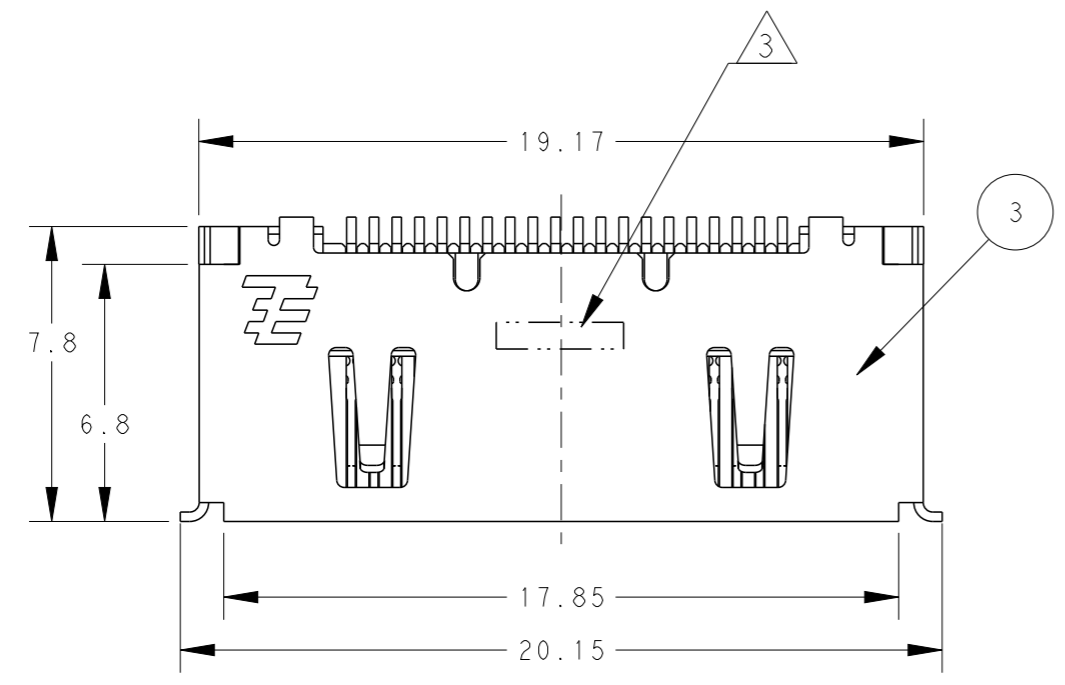
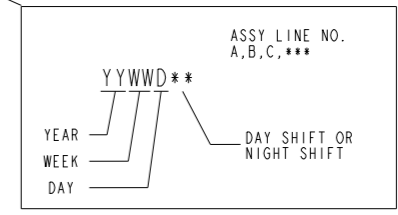


THIS DRAWING IS UNPUBLISHED. RELEASED FOR PUBLICATION 20
 © COPYRIGHT 20 BY - ALL RIGHTS RESERVED.

LOC	DIST	REVISIONS					
DW		P	LTR	DESCRIPTION	DATE	DWN	APVD
		1		RELEASED	22JUN11	P. H	H. K

2129326-1; AS SHOWN

- ① MATERIAL: HOUSING: THERMO-PLASTIC(UL94V-0, BLACK).
CONTACT: COPPER ALLOY.
SHELL: COPPER ALLOY.
- ② FINISH:
CONTACT: ALL OVER 2um MIN. Ni UNDER PLATING.
0.38um MIN. Au PLATING ON CONTACT AREA.
1~3um Tin PLATING ON TINE AREA.
SHELL: ALL OVER 1.3um MIN. Ni UNDER PLATING.
- ③ DATE CODE



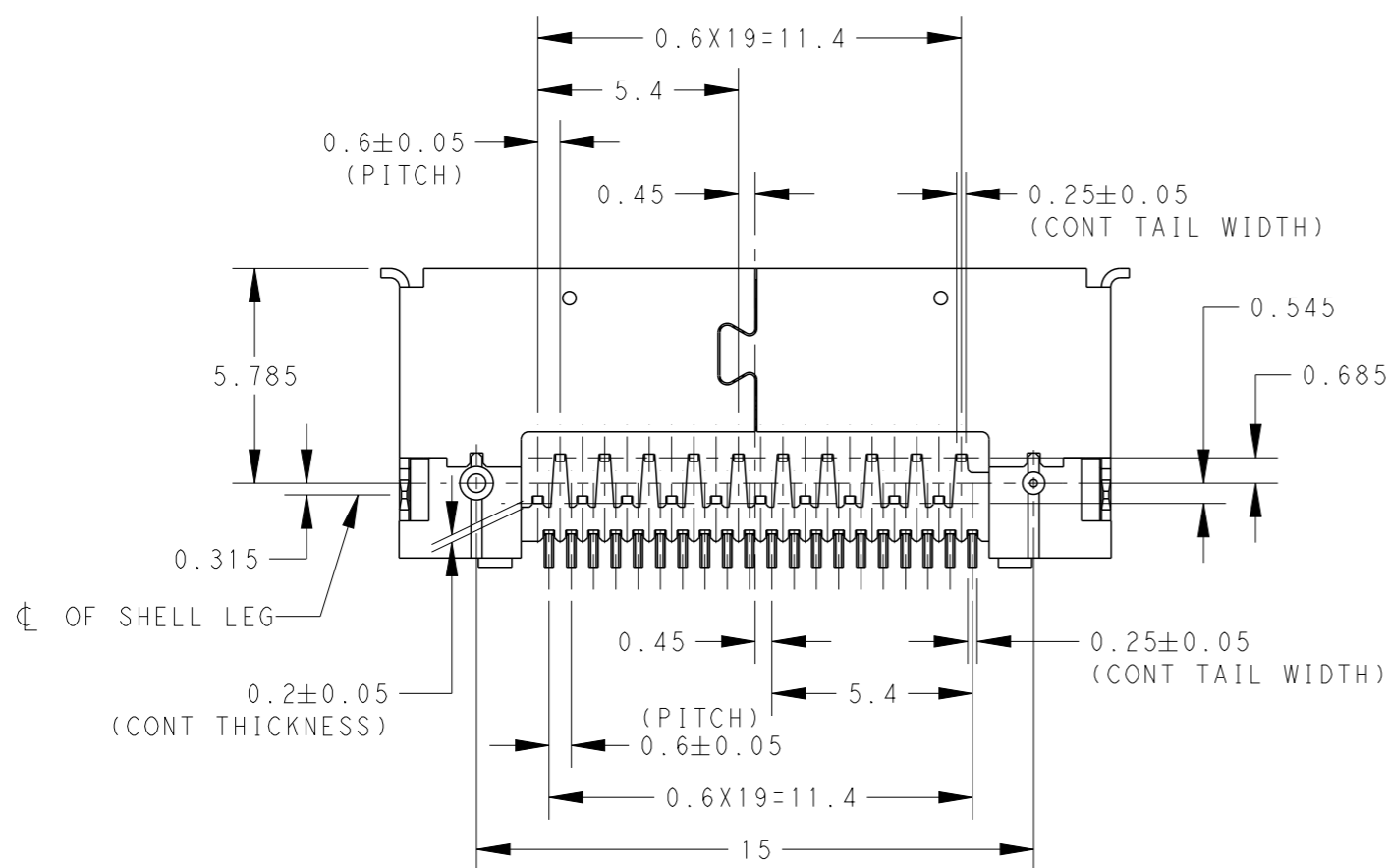
1	SHELL	③
40	CONTACT	②
1	HOUSING	①
Q'TY	NAME	ITEM

VIEW G

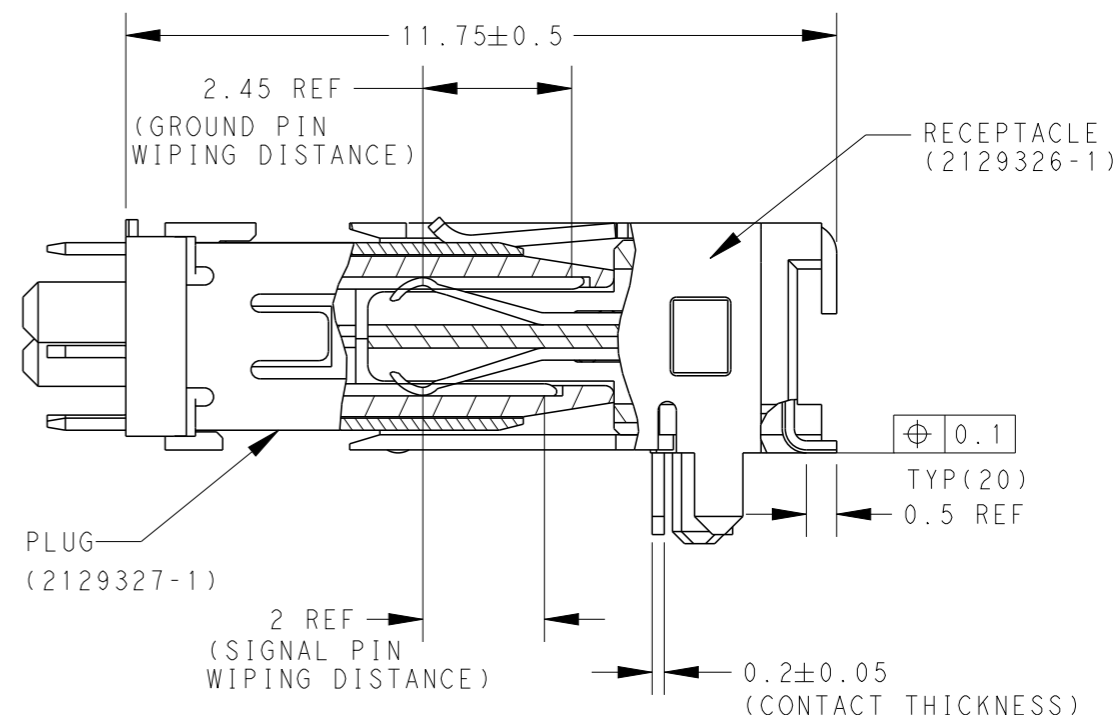
THIS DRAWING IS A CONTROLLED DOCUMENT.		DWN P. HSU 01APR2011	 TE Connectivity	NAME RECEPTACLE ASSY, 0.6mm PITCH CHAMP DOCKING CONNECTOR, 40POS
DIMENSIONS: mm		CHK W. CHEN 01APR2011		
TOLERANCES UNLESS OTHERWISE SPECIFIED:		APVD H. KODAMA 01APR2011		
0 PLC ±- 1 PLC ±- 2 PLC ±- ±0.25 3 PLC ±- 4 PLC ±- ANGLES ±3° FINISH -		PRODUCT SPEC -		
MATERIAL -		APPLICATION SPEC -	SIZE A3	CAGE CODE 00779
		WEIGHT 1.44	DRAWING NO C-2129326	RESTRICTED TO -
		CUSTOMER DRAWING	SCALE 5:1	SHEET 1 OF 4 REV A

LOC	DIST
DW	

REVISIONS					
P	LTR	DESCRIPTION	DATE	DWN	APVD
-	-	SEE SHEET 1	-	-	-



VIEW G



MATING CONDITION

THIS DRAWING IS A CONTROLLED DOCUMENT.

DIMENSIONS: mm	TOLERANCES UNLESS OTHERWISE SPECIFIED: 0 PLC ± 1 PLC ± 2 PLC ± ±0.25 3 PLC ± 4 PLC ± ANGLES ±3° FINISH -
-------------------	---

DWN	-
CHK	-
APVD	-
PRODUCT SPEC	-
APPLICATION SPEC	-
WEIGHT	-
CUSTOMER DRAWING	-

STE TE Connectivity

NAME: RECEPTACLE ASSY, 0.6mm PITCH CHAMP DOCKING CONNECTOR, 40POS

SIZE	CAGE CODE	DRAWING NO	RESTRICTED TO
A3	00779	C-2129326	-

SCALE: 5:1 SHEET 2 OF 4 REV A

4

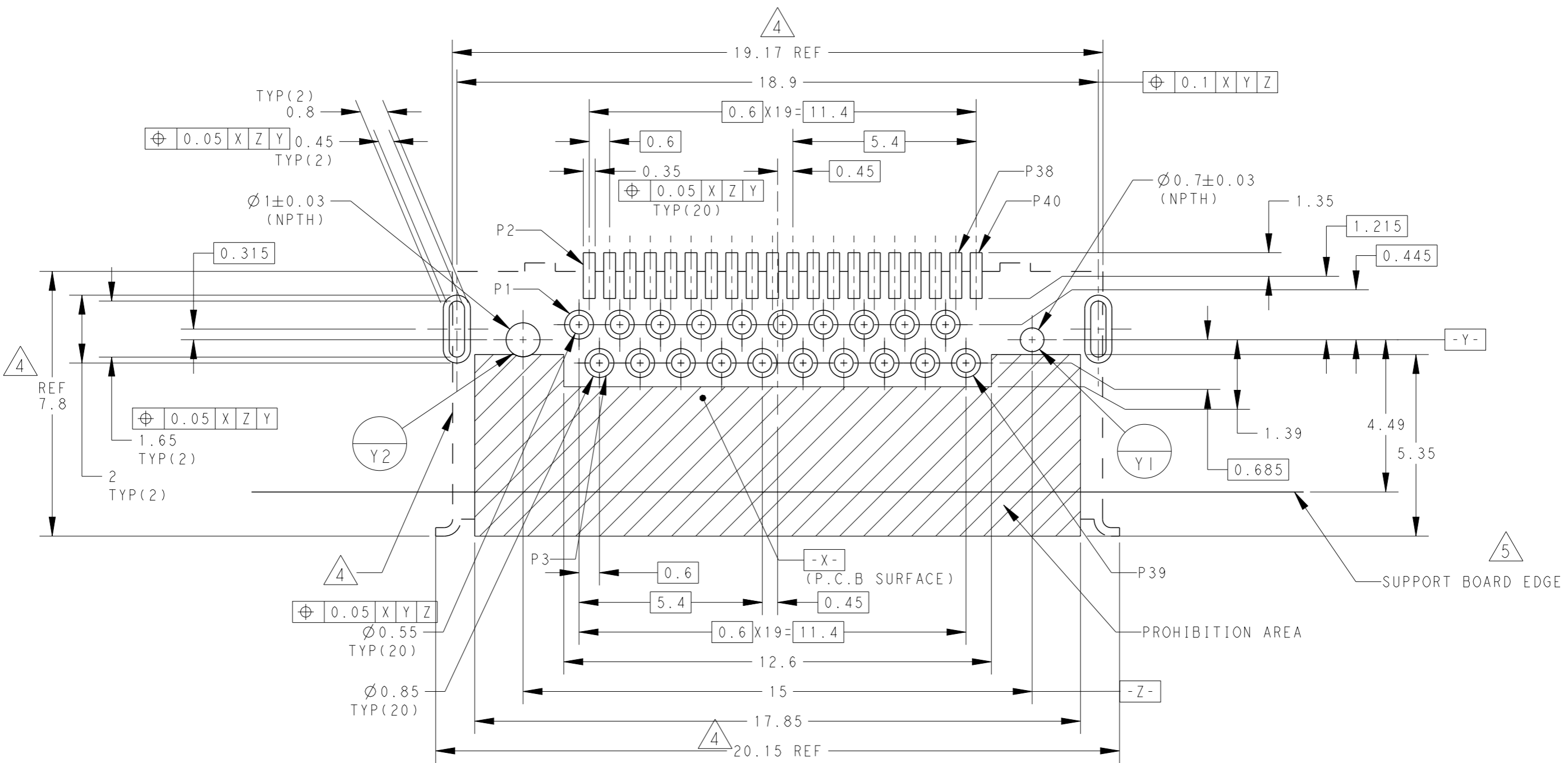
3

2

1

THIS DRAWING IS UNPUBLISHED. RELEASED FOR PUBLICATION 20
 © COPYRIGHT 20 BY - ALL RIGHTS RESERVED.


LOC	DIST	REVISIONS			
P	LTR	DESCRIPTION	DATE	DWN	APVD
DW		SEE SHEET 1	-	-	-



RECOMMENDED P.C. BOARD LAYOUT (TOP VIEW)

△ 4 CONNECTOR OUTLINE
 △ 5 SUPPORT BOARD EDGE

THIS DRAWING IS A CONTROLLED DOCUMENT.		DWN	-	
DIMENSIONS: mm		CHK	-	
TOLERANCES UNLESS OTHERWISE SPECIFIED:		APVD	-	
0 PLC ±		PRODUCT SPEC	-	
1 PLC ± ±0.05		APPLICATION SPEC	-	
2 PLC ±		WEIGHT	-	
3 PLC ±		CUSTOMER DRAWING	-	
4 PLC ±		SCALE	5:1	
ANGLES ±3°		SHEET	3 OF 4	
FINISH -		REV	A	

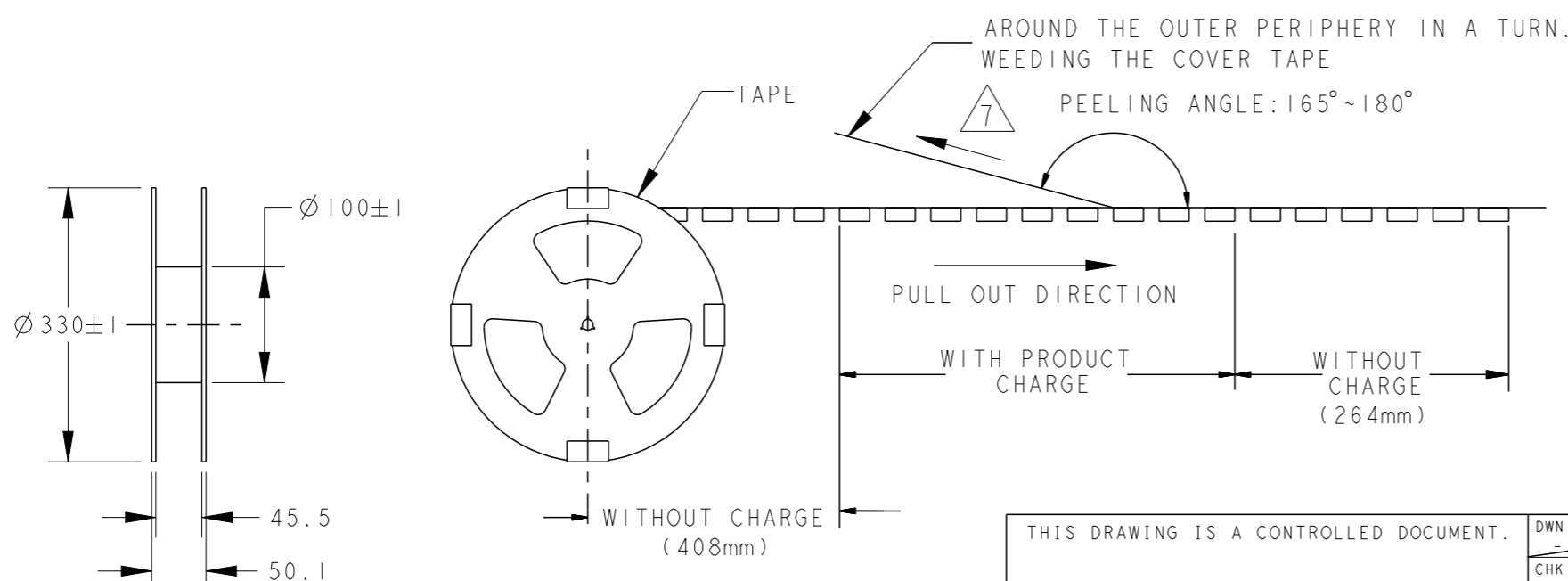
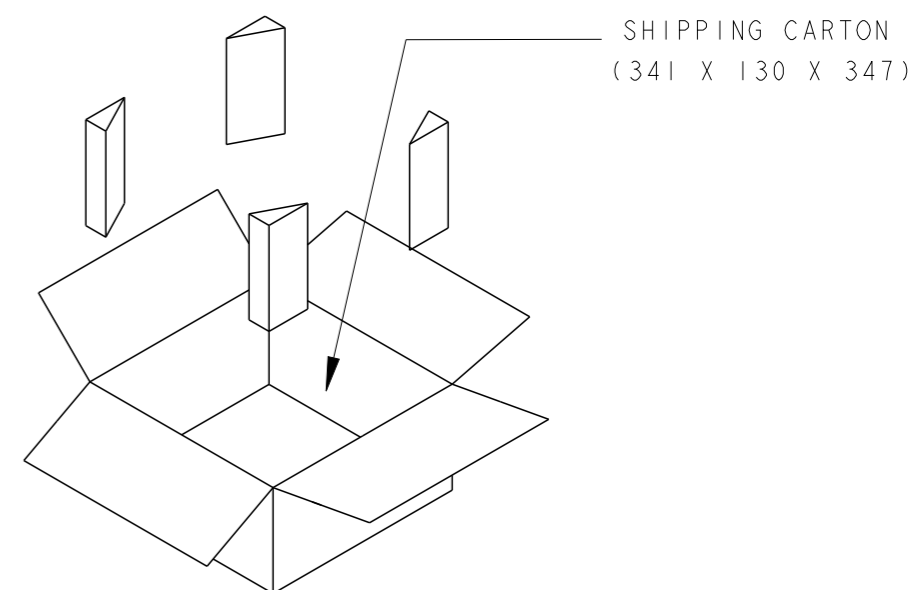
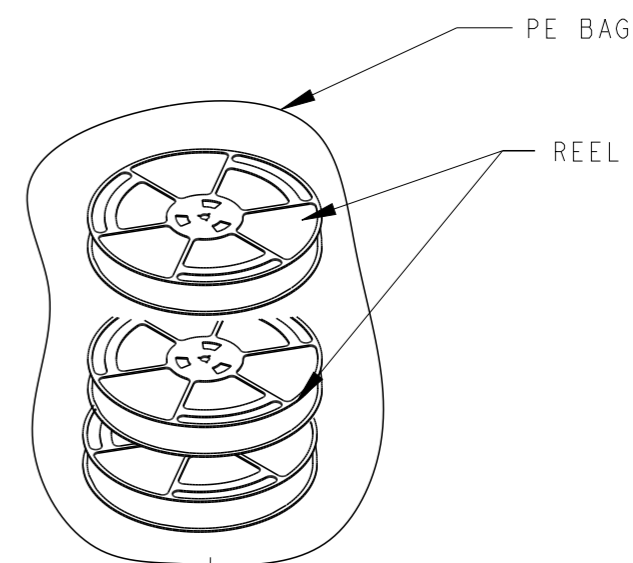
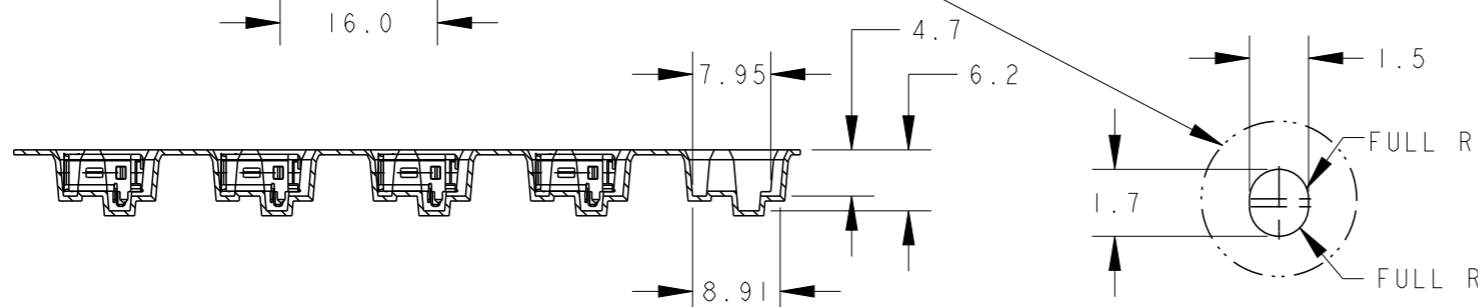
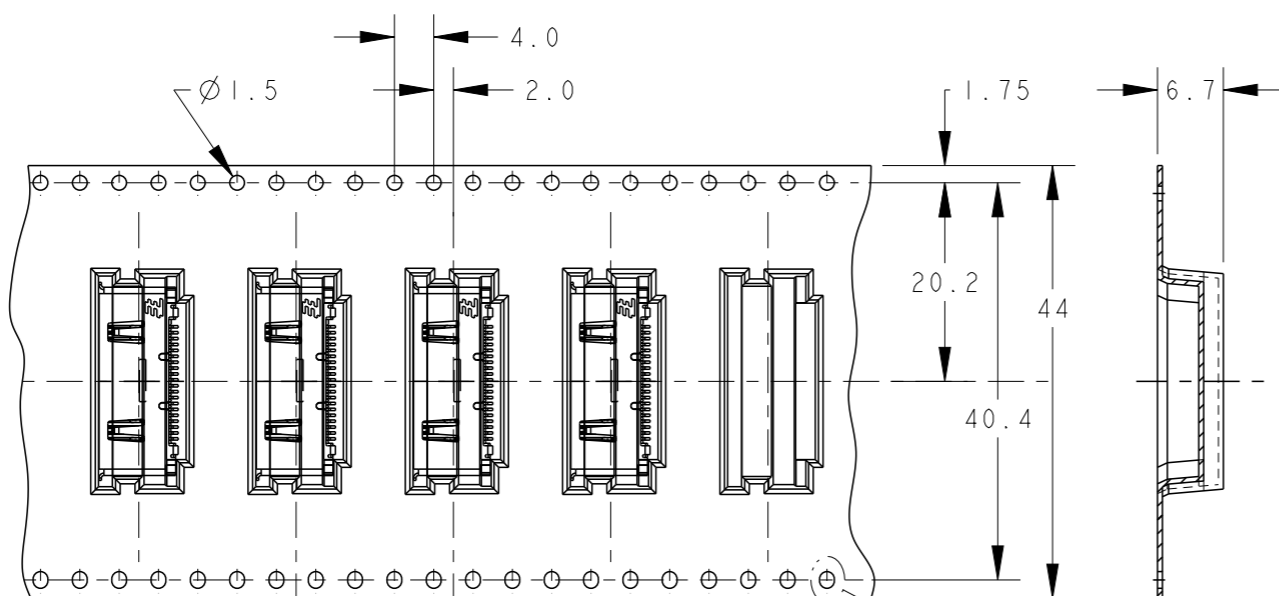


TE Connectivity

NAME: RECEPTACLE ASSY, 0.6mm PITCH CHAMP DOCKING CONNECTOR, 40POS

SIZE: A3 CAGE CODE: 300779 DRAWING NO: C-2129326

P	LTR	DESCRIPTION	DATE	DWN	APVD
-		SEE SHEET 1	-	-	-



6. PACKING MATERIAL:
 CARRY TAPE: PS; COLOR: BLACK.
 COVER TAPE: PET; COLOR: CLEAR.
 PEELING STRENGTH OF COVER TAPE: 0.2N~1.2N.

2129326-1	600	2	1200
P/N	PCS/TAPE	REELS/CARTON	TOTAL QUANTITY

THIS DRAWING IS A CONTROLLED DOCUMENT.

DIMENSIONS:	TOLERANCES UNLESS OTHERWISE SPECIFIED:
mm	
	0 PLC ±
	1 PLC ±
	2 PLC ± ±0.5
	3 PLC ±
	4 PLC ±
	ANGLES ±3°
MATERIAL	FINISH

DWN	-
CHK	-
APVD	-
PRODUCT SPEC	-
APPLICATION SPEC	-
WEIGHT	-
CUSTOMER DRAWING	-

STE TE Connectivity

NAME: RECEPTACLE ASSY, 0.6mm PITCH CHAMP DOCKING CONNECTOR, 40POS

SIZE	CAGE CODE	DRAWING NO	RESTRICTED TO
A3	00779	C-2129326	-

SCALE: 5:1 SHEET 4 OF 4 REV A

单击下面可查看定价，库存，交付和生命周期等信息

[>>TE Connectivity\(泰科\)](#)