

THIS DRAWING IS UNPUBLISHED.

RELEASED FOR PUBLICATION

,19

LDC

DIST

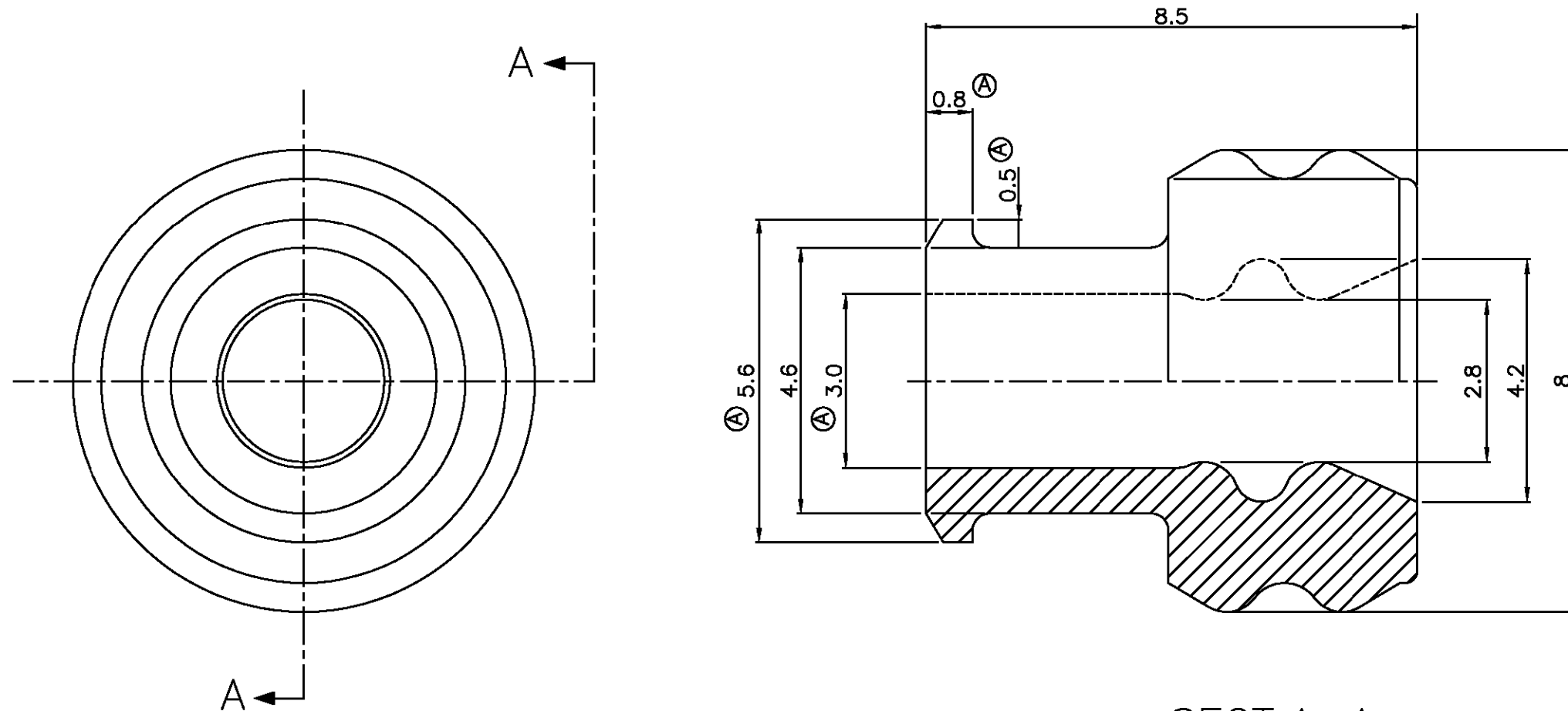
REVISIONS

© COPYRIGHT 19

BY AMP INCORPORATED. ALL RIGHTS RESERVED.

DS

P	LTR	DESCRIPTION	DATE	DWN	APVD
0		RELEASED (FC00-0060-00)	'00 22/MAY	YD	CS
A		REVISED (FC00-0065-02)	'02 18/APR	YD	CS



SECT A-A

NOTE :

P/N	MATERIAL	COLOR	HARNESS	INSULATION ϕ
368940-1	SILICONE	GRAY	45 \pm 5 °	ϕ 3.3-3.8mm

<small>THIS DRAWING IS A CONTROLLED DOCUMENT FOR AMP INCORPORATED. IT IS SUBJECT TO CHANGE AND THE CONTROLLING ENGINEERING ORGANIZATION SHOULD BE CONTACTED FOR THE LATEST REVISION.</small>		DVN	AMP AMP KOREA. kyungsan, korea		
DIMENSIONS: MM 		CHK			
TOLERANCES UNLESS OTHERWISE SPECIFIED: 0<XX<10 \pm 0.2 10<XX<30 \pm 0.25 30<XX<100 \pm 0.3 ANGLES \pm 3°		APVD	NAME .187 RUBBER PLUG WIRE SEAL (INSULATION DIA: 3.3 - 3.8)		
MATERIAL		PRODUCT SPEC	SIZE	CAGE CODE	DRAWING NO
FINISH		APPLICATION SPEC	A3	00779	©- 3 6 8 9 4 0
		WEIGHT	SCALE 1/10 SHEET 1 OF 1 REV A		
		0.22 g			

单击下面可查看定价，库存，交付和生命周期等信息

[>>TE Connectivity\(泰科\)](#)