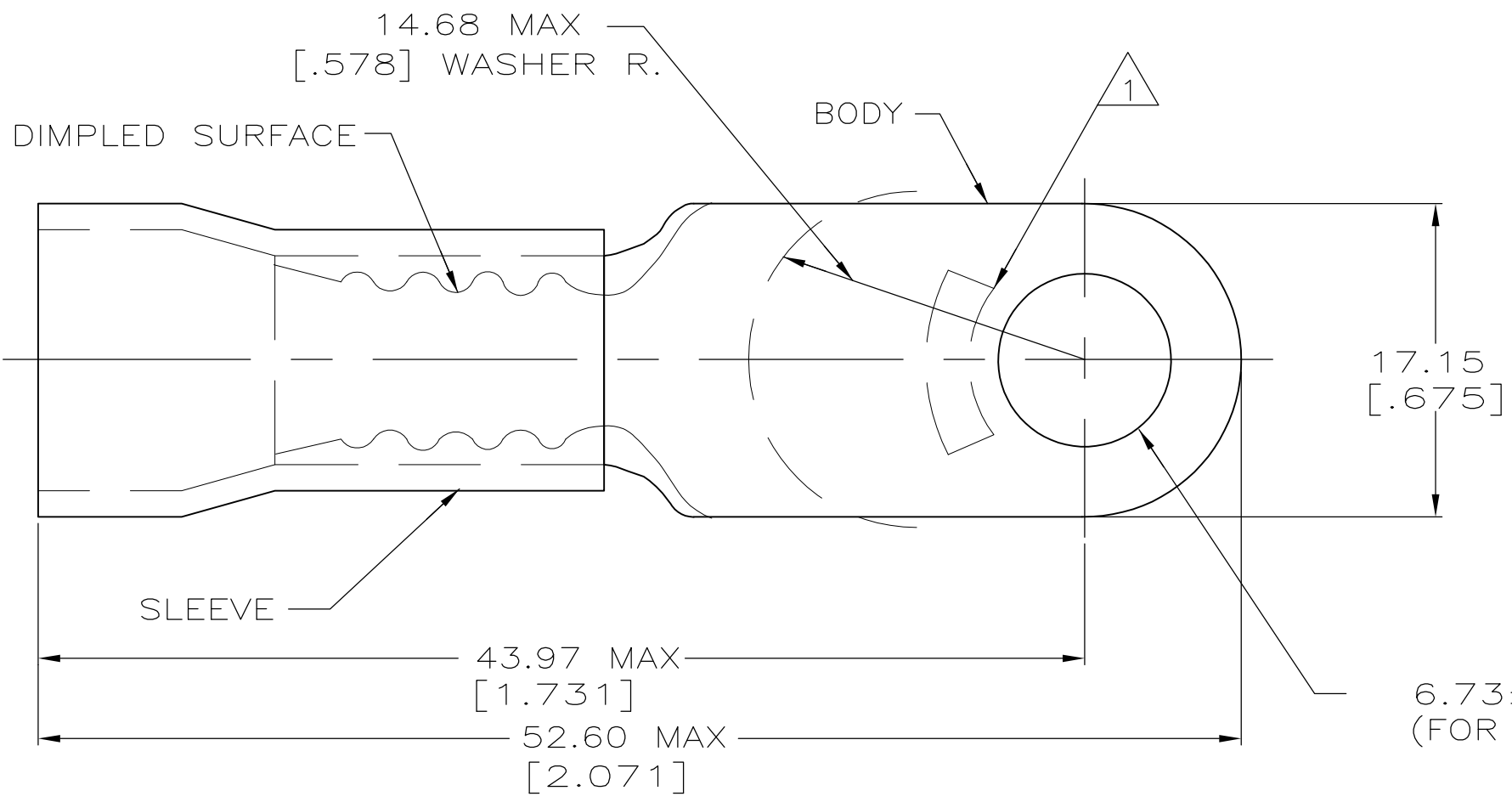


THIS DRAWING IS UNPUBLISHED. RELEASED FOR PUBLICATION
 © COPYRIGHT BY TYCO ELECTRONICS CORPORATION. ALL INTERNATIONAL RIGHTS RESERVED.

| LOC | DIST | REVISIONS | | | | | |
|-----|------|-----------|-----|---------------------------|---------|-----|------|
| G | 14 | P | LTR | DESCRIPTION | DATE | DWN | APVD |
| | | | F1 | REVISED PER ECO-11-002228 | 11FEB11 | HMR | DR |



| | | |
|--------------------------|--------------------------|----------------------------|
| AMP WIRE RANGE | AW FILE E13288 | LR7189 Certified |
| 2 AWG STRANDED | 2 AWG STRANDED | 2 AWG STRANDED |

- 1 STAMP AMP 2* LOCATE APPROX AS SHOWN
- 2 TONGUE MATERIAL THK 1.45±0.08 [.057±.003]
- 3 SEE TABLE FOR WIRE INSULATION DIA MAX

6.73±0.13 [.265±.005] DIA
(FOR 1/4 STUD)

| | | | | |
|----------|---------------------------|-----|--------------|-----------|
| OBSOLETE | | 50 | LOOSE PC,BOX | 8-52267-2 |
| | 14.22 [.560] | 50 | LOOSE PC | 52267-1 |
| | 16.05 [.632] | | | 52267 |
| | WIRE INSULATION DIA | QTY | PACKAGE TYPE | PART NO |

| | | |
|---|--|--|
| AMP INCORPORATED CUSTOMER SERVICE SYSTEMS | | MAX RECOMMENDED OPERATING TEMPERATURE: 105° C |
| FOR ADDITIONAL PRODUCT INFORMATION OR COPIES OF DRAWINGS AND TECHNICAL DOCUMENTS | PRODUCT INFORMATION CENTER 1-800-522-6752 | VOLTAGE RATING: 600 V MAX |
| FOR APPLICATION TOOLING INFORMATION | TOOLING ASSISTANCE CENTER 1-800-722-1111 | CIRCULAR MIL AREA: 26.65-42.41mm ² [52,600-83,700] STRANDED |
| FOR ORDER ENTRY | 1-800-526-5142 | THIS DRAWING IS A CONTROLLED DOCUMENT FOR AMP INCORPORATED. IT IS SUBJECT TO CHANGE AND THE CONTROLLING ENGINEERING ORGANIZATION SHOULD BE CONTACTED FOR THE LATEST REVISION. |

| | |
|--|---|
| THIS DRAWING IS A CONTROLLED DOCUMENT. | |
| DIMENSIONS: mm [INCHES] | TOLERANCES UNLESS OTHERWISE SPECIFIED: |
| | 0 PLC ± - 1 PLC ± - 2 PLC ± 0.20 [.008] 3 PLC ± - 4 PLC ± - ANGLES ± - |
| MATERIAL COPPER PER ASTM B-152 PVC, COLOR: RED | FINISH TIN PLATE PER ASTM-B545 |

| | | |
|--------------------------------|--|-----------------------|
| DWN S.S. GOULDEN 9-29-93 | Tyco Electronics Corporation Harrisburg, PA 17105-3608 | |
| CHK R. HERSEY 9-29-93 | NAME TERMINAL, RING TONGUE, PLASTI-GRIP, WIRE SIZE: 2 AWG | |
| APVD B. BARE 9-29-93 | PRODUCT SPEC NOT AVAILABLE | SIZE A3 |
| APPLICATION SPEC 114-2161 | WEIGHT - | CAGE CODE 00779 |
| CUSTOMER DRAWING | | DRAWING NO G-52267 |
| SCALE 4:1 | | RESTRICTED TO - |
| SHEET 1 OF 1 | | REV F1 |

单击下面可查看定价，库存，交付和生命周期等信息

[>>TE Connectivity\(泰科\)](#)