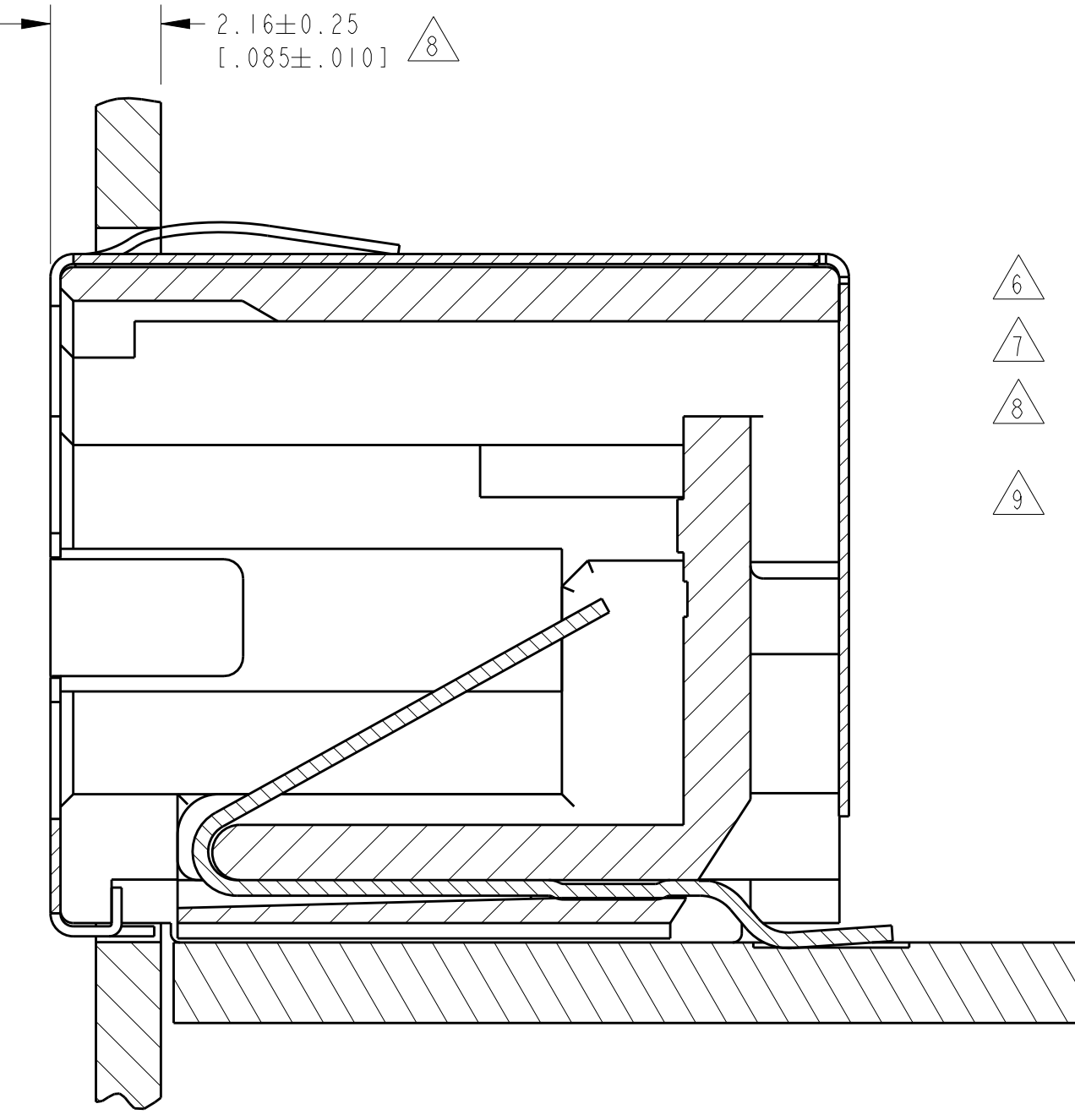
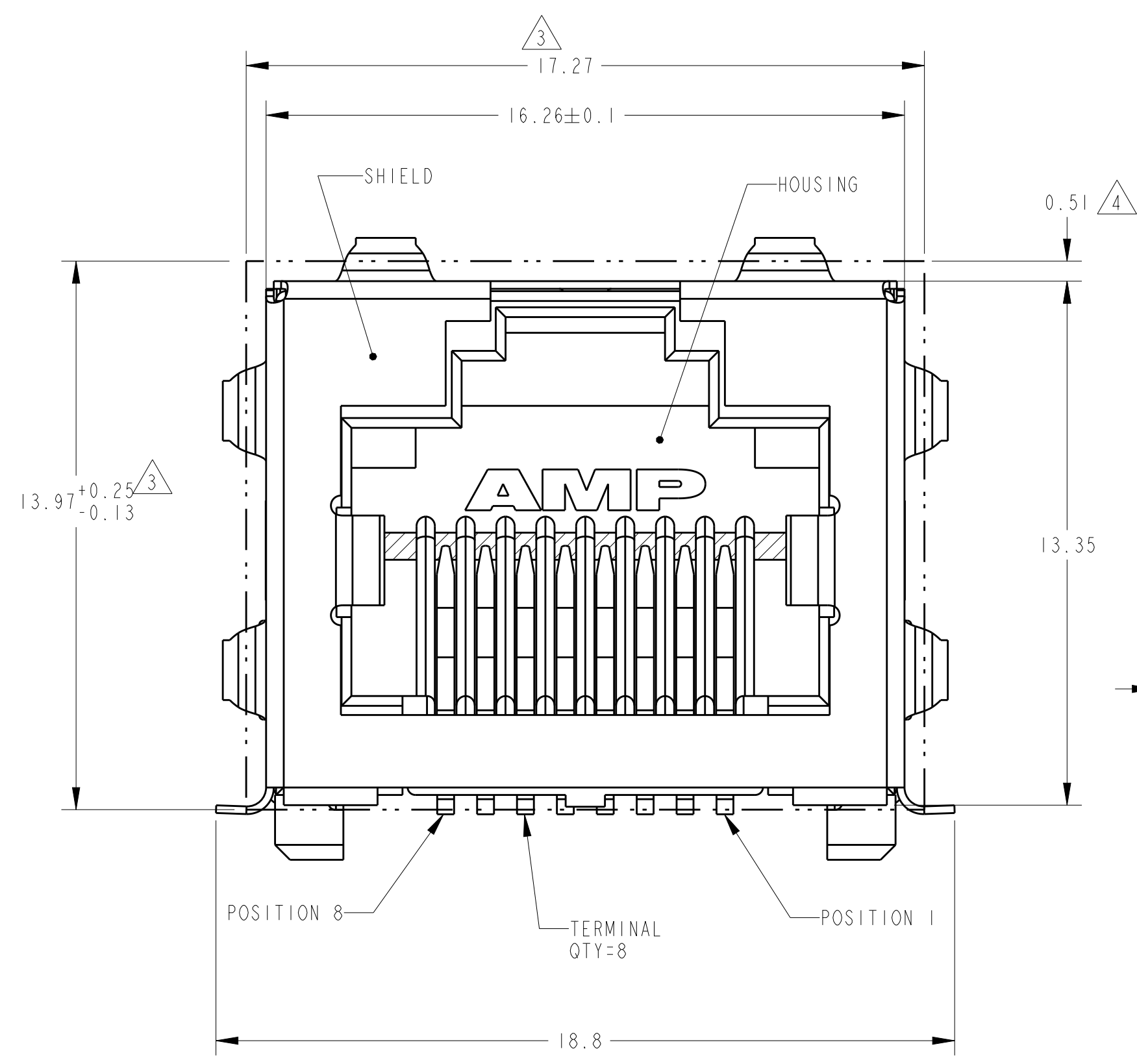
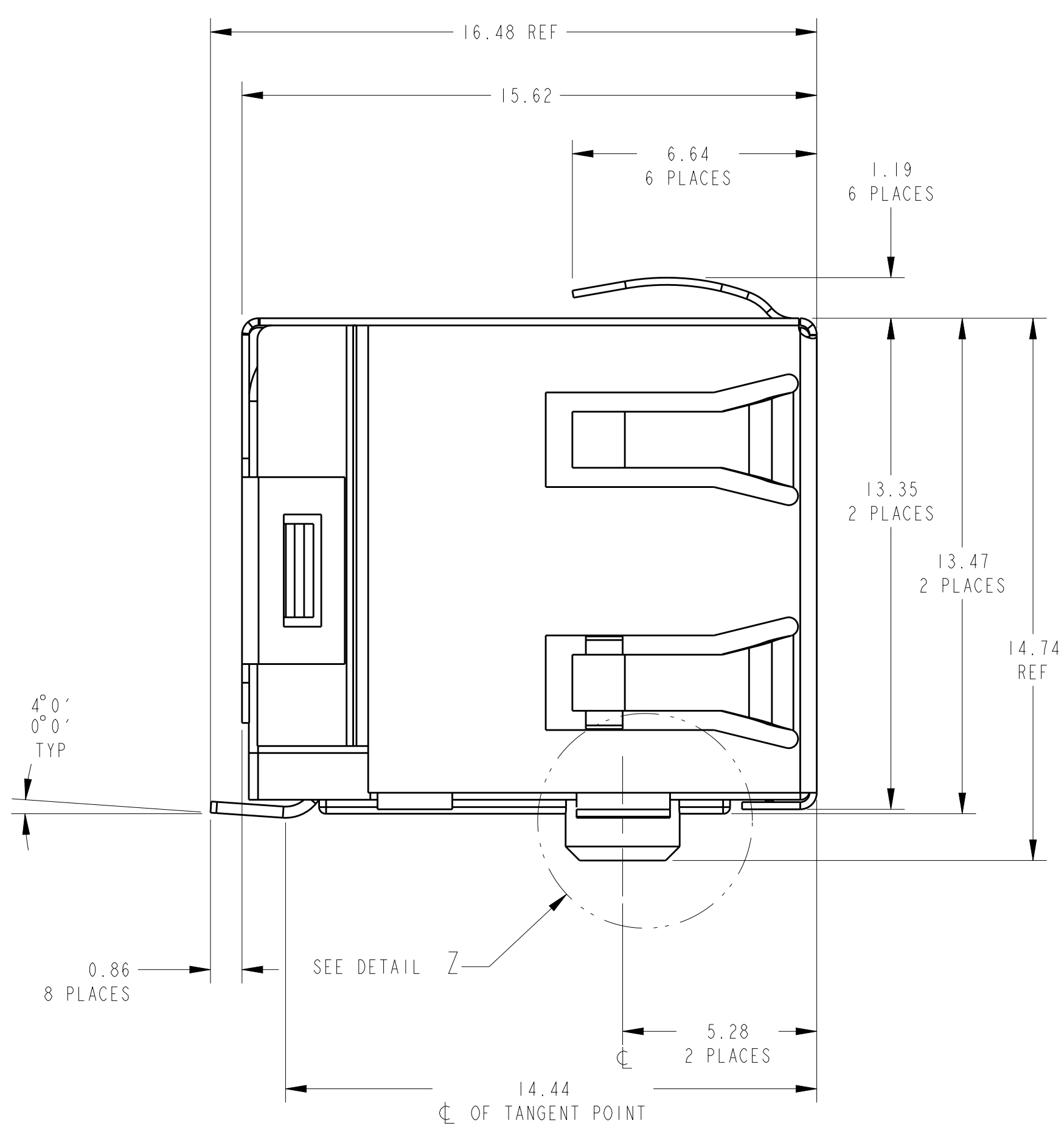
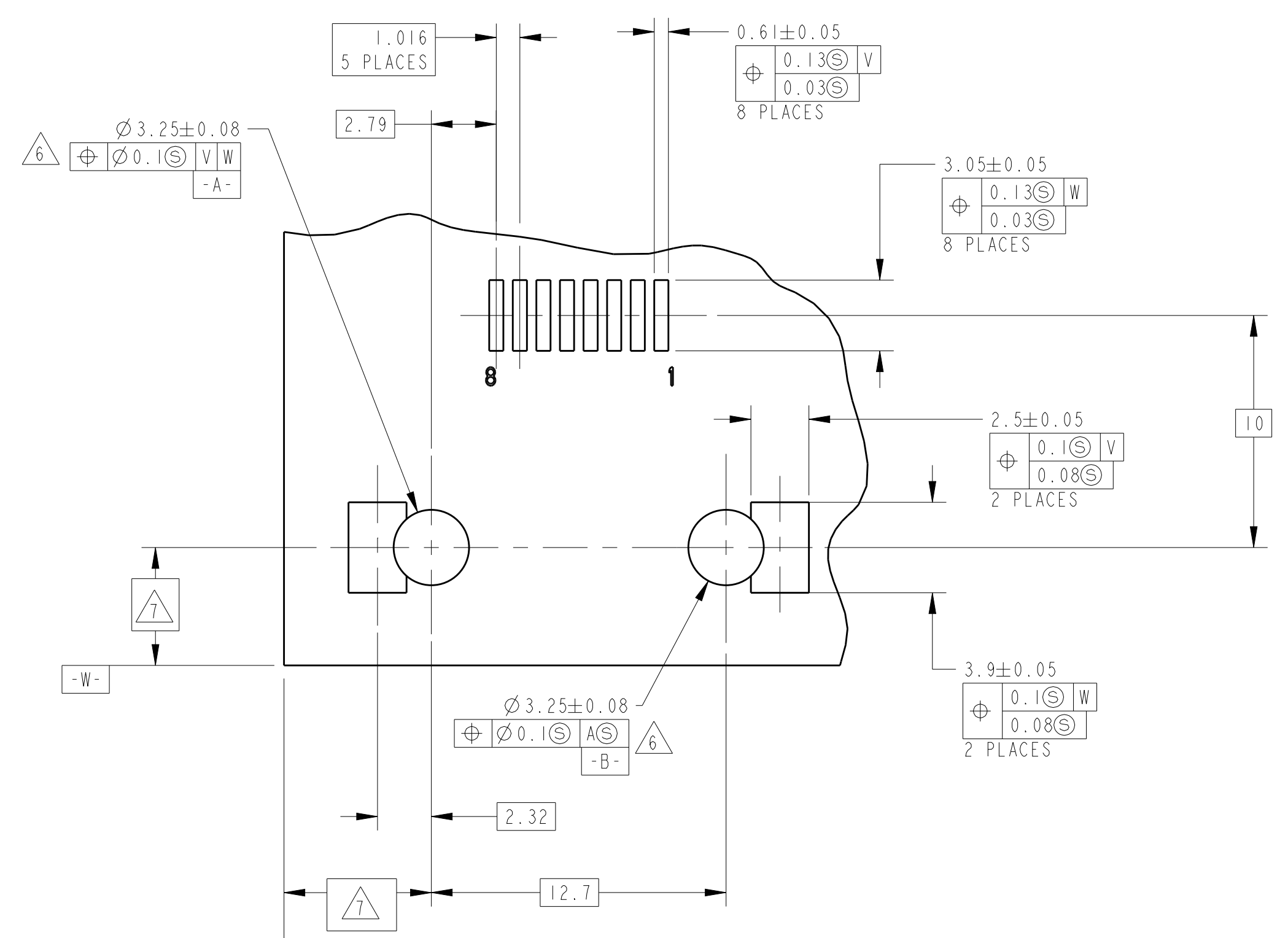
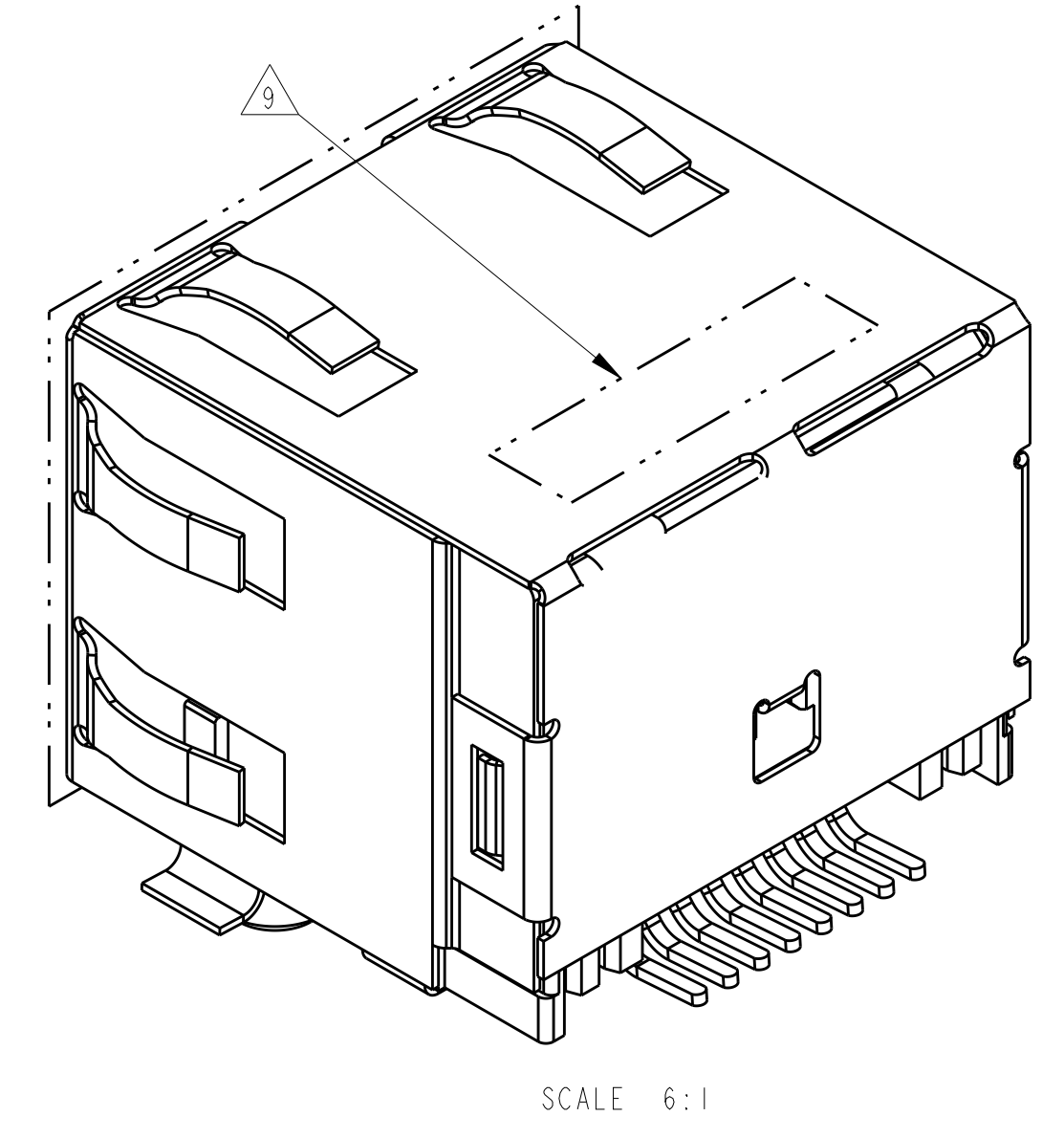
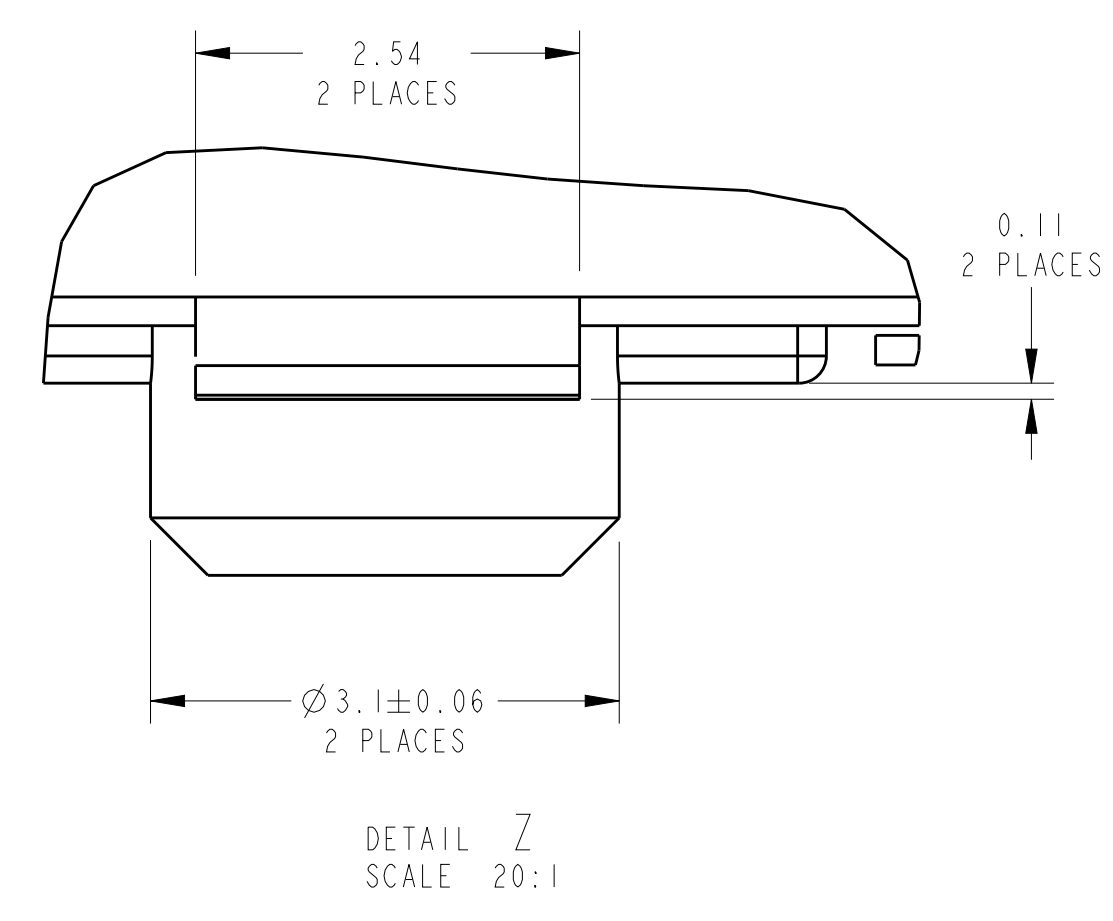


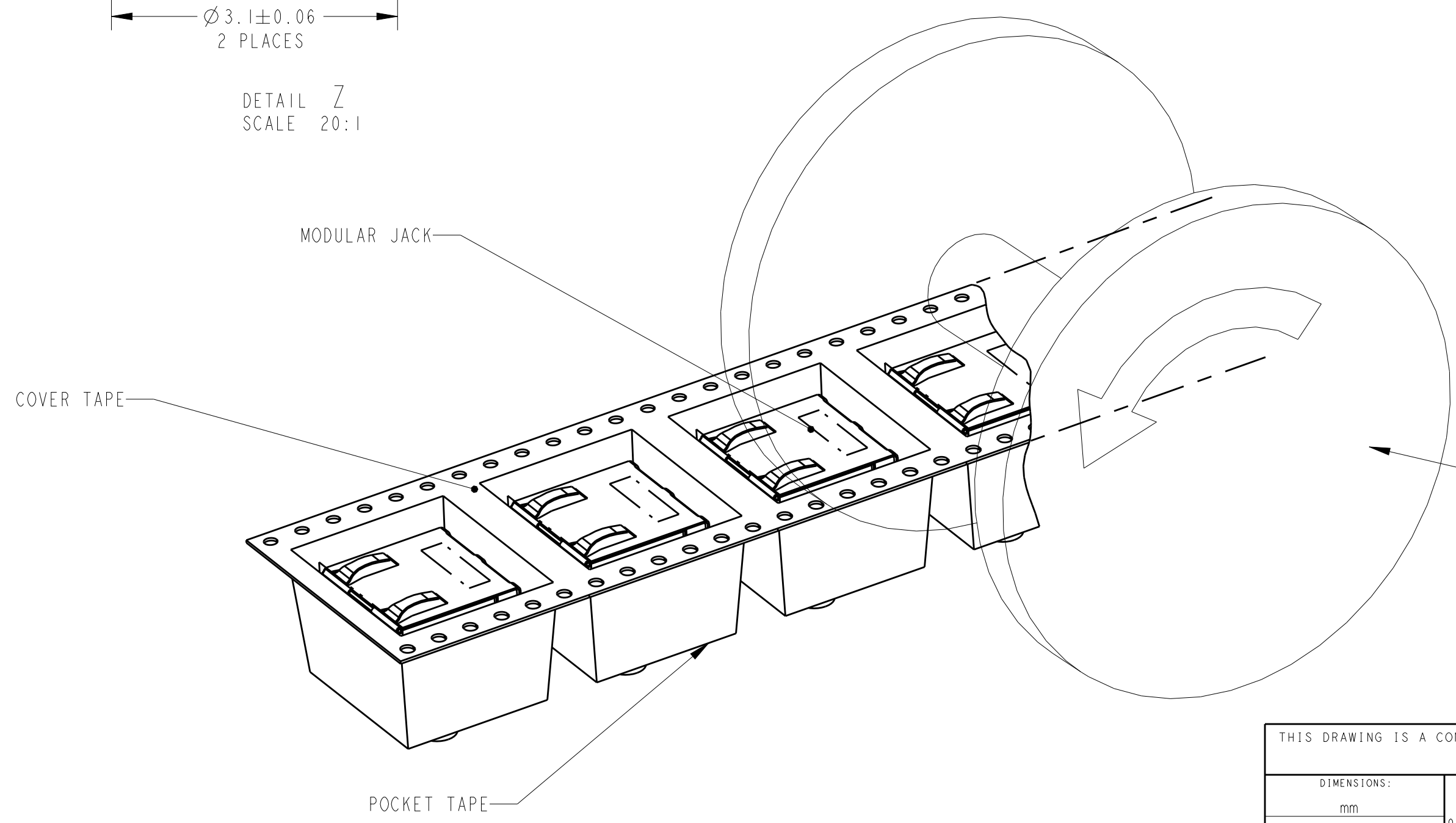
LOC	DIST	REV	DESCRIPTION	DATE	OWN	APPV
IR	-	D	HOUSING RAW MATERIAL CHANGED TO LCP	18NOV2011	PS	RRP
		E	OBSOLETE 6339160-4	25JUL2013	CW	SH



- MATERIAL:  
 HOUSING - HIGH TEMP. THERMOPLASTIC - LCP. COLOR: SEE TABLE, UL94V-0.  
 TERMINALS - 0.30 THICK PHOS BRONZE PLATED WITH 2.03µm MIN THICK MATTE TIN IN SOLDER AREA.  
 GOLD (SEE TABLE) IN LOCALIZED PLATE AREA OVER 1.27µm MIN THICK NICKEL.  
 SHIELD - (SEE TABLE) 0.196 THK BRASS PREPLATED WITH 2.03µm-3.81µm THICK MATTE TIN OVER 0.76µm-2.03µm NICKEL UNDERPLATE, OR 0.76-2.03µm NICKEL WITH SELECTIVE TIN PLATED SOLDER TABS.
  - JACK CAVITY CONFORMS TO FCC RULES AND REGULATIONS PART 68, SUBPART F.
- 3 SUGGESTED PANEL OPENING DIMENSIONS. SEE APPLICATION SPEC. 114-2154 FOR PANEL THICKNESS AND POSITION RECOMMENDATIONS  
 4 SUGGESTED CLEARANCE BETWEEN TOP OF CONNECTOR AND TOP PANEL OPENING  
 5 PACKAGED: POCKET TAPE & REEL (PER EIA 481 SPECIFICATIONS)  
 POCKET TAPE WIDTH - 44mm  
 POCKET PITCH - 24mm  
 POCKET DEPTH - 16.7mm  
 CLEAR COVER TAPE, PSA  
 CLEAR COVER TAPE TRAILER - 1220mm, WRAPPED ON REEL HUB  
 PLASTIC REEL - 381mm DIAMETER  
 PRODUCT QUANTITY - 200 PIECES PER REEL
- 6 ZERO INSERTION FORCE POST WITH RECOMMENDED PCB LAYOUT  
 7 DATUM ESTABLISHED BY CUSTOMER.  
 8 CONNECTOR SHOULD BE POSITIONED THRU PANEL CUTOUT AS SHOWN TO SUPPORT TOP OF MODULAR JACK FOR STRAIN RELIEF.  
 9 MANUFACTURING DATE CODE LOCATED APPROXIMATELY AS SHOWN. FIRST 2 DIGITS ARE YEAR, SECOND 2 DIGITS ARE WORK WEEK, LAST DIGIT IS THE DAY OF THE WEEK



SUGGESTED PCB LAYOUT (COMPONENT SIDE)



THIS DRAWING IS A CONTROLLED DOCUMENT.		OWN: 09MAY2005	TE Connectivity	
DIMENSIONS: mm		CHK: J. WESTMAN	NAME: INVERTED MOD JACK ASSEMBLY, 1X1, SHIELDED SURFACE MOUNT, 8 POSITION RJ45	
TOLERANCES UNLESS OTHERWISE SPECIFIED:		APPV: S. FLICKINGER	PRODUCT SPEC: 108-1163-7	
0 PLC ±		PRODUCT SPEC: 114-6040/114-2154	APPLICATION SPEC: 114-6040/114-2154	
1 PLC ±0.25		SIZE: A1	CAGE CODE: 00779	
2 PLC ±		WEIGHT: -	DRAWING NO: 6339160	
3 PLC ±		FINISH: SEE NOTE 1	SCALE: 8:1	
4 PLC ±		MATERIAL: SEE NOTE 1	SHEET 1 OF 1	
ANGLES ±		Customer Drawing	REV E	

单击下面可查看定价，库存，交付和生命周期等信息

[>>TE Connectivity\(泰科\)](#)