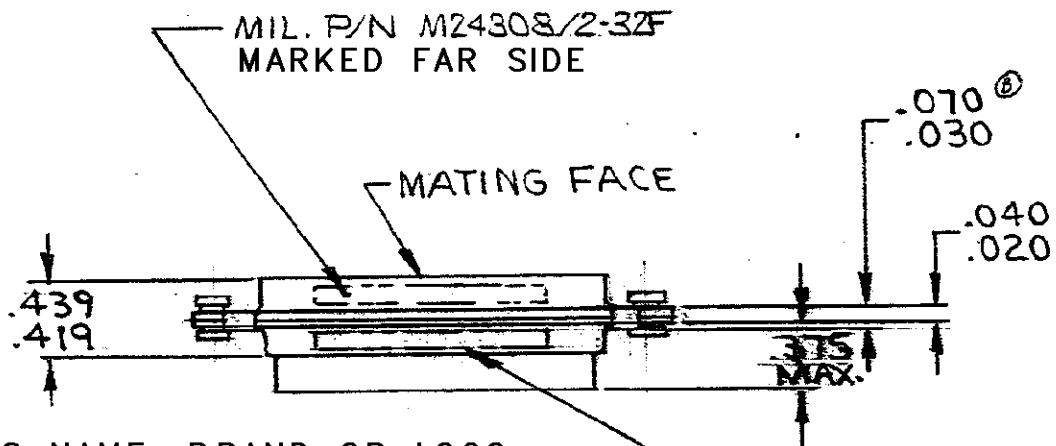
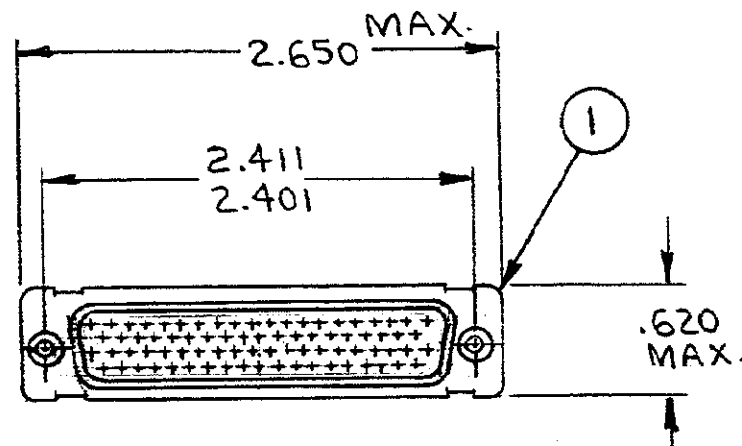


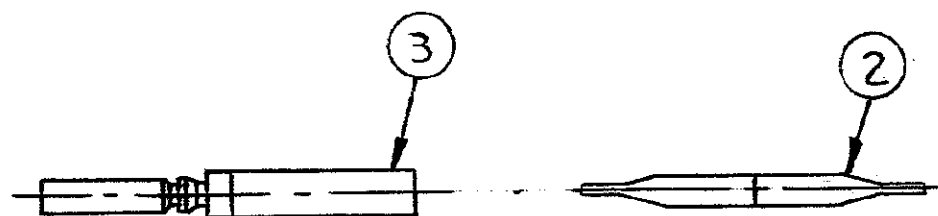
© 1970 BY AMP INCORPORATED. ALL RIGHTS RESERVED. AMP PRODUCTS COVERED BY PATENTS AND/OR PATENTS PENDING.

Not to be reproduced nor published without the permission of AMP Incorporated

⚠️ APPROPRIATE AMP P/N (KIT) IS MARKED ON PACKAGE



MFG'S NAME, BRAND OR LOGO
MFG'S PART NO AND DATE CODE
MARKED FAR SIDE



REVISIONS				
ZONE	LTR	DESCRIPTION	DATE	APPROVED
	A	REV. & REDRAWN, RELEASED WAS 5066-169 PER ECN A-962	12-29-70	L.M. / JS
	A	NOTES ADDED, ECN B-011	2/4/71	JS / JS
	B	REV. PER ECN B-948	5/11/73	L.M. / JS
	B1	REV. PER ECN E-342	5/19/74	L.M. / JS
	C	REV. PER ECN G-047	2/3/79	JS / JS
	D	REV PER ECN DF-0021; DF-0160 & R2670	NR 11-3-88	EAM
	E	ECO-08-023688	PY 11-08	BW

SUPSD BY 204544-29 91067-1

<input checked="" type="checkbox"/>	-	-	MILITARY P/N M24308/2-43F MARKED ON PACKAGE	
<input checked="" type="checkbox"/>	-	-	MILITARY P/N M24308/2-32F MARKED ON PACKAGE	
86	86	B	204351-1	CONTACT, SOCKET, SIZE 22 D 3
1	-	B	91067-1	INSERTION & EXTRACTION TOOL 2
1	1	A	204532-1	RECEPTACLE ASSY, SIZE #5 1
3	2	-	DWG NUMBER	NAME

204544 204544 204544	UNLESS OTHERWISE SPECIFIED DIMENSIONS ARE IN INCHES TOLERANCES ON: DECIMALS ± .001 ANGLES ± .1°	CONTRACT NO.	AMP INCORPORATED HARRISBURG, PENNSYLVANIA	
	MATERIAL	DR. <i>L. Morningstar</i> 12-29-70	NAME KIT "HDD" SERIES, RECEPTACLE, SIZE #5	
		APPD. <i>B. Baw</i> 1-19-71	SIZE	CODE IDENT NO. NUMBER
		REL. <i>R. Holleyday</i> 1-19-71	B	00779 204544
		DSGN APPD.	SCALE	REV
		OTHER APPD.	+	E
				SHEET 10 F1

单击下面可查看定价，库存，交付和生命周期等信息

[>>TE Connectivity\(泰科\)](#)