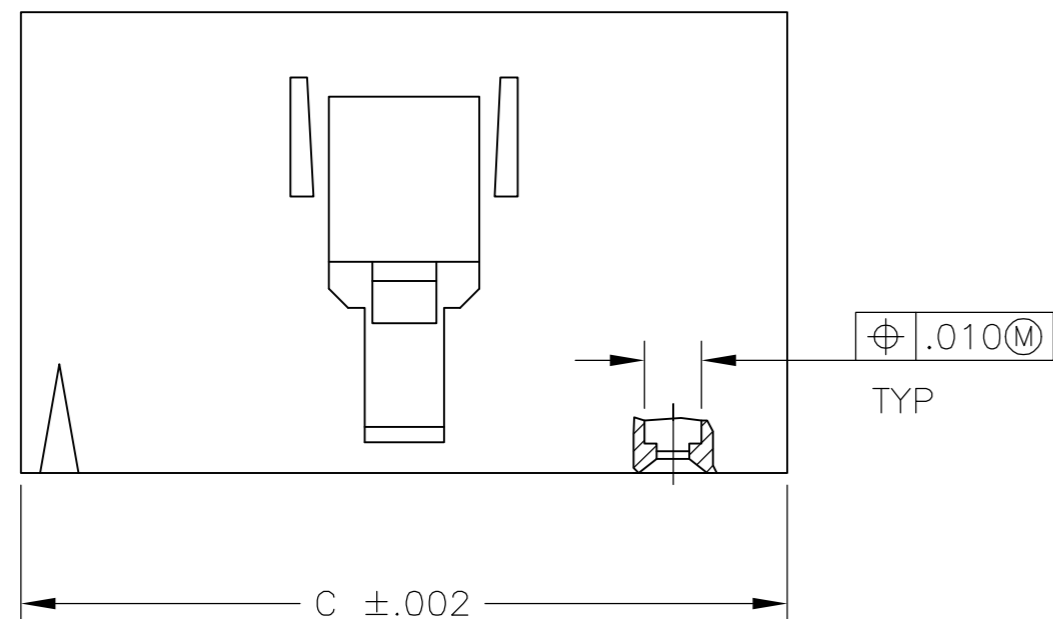
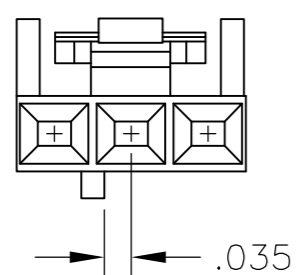
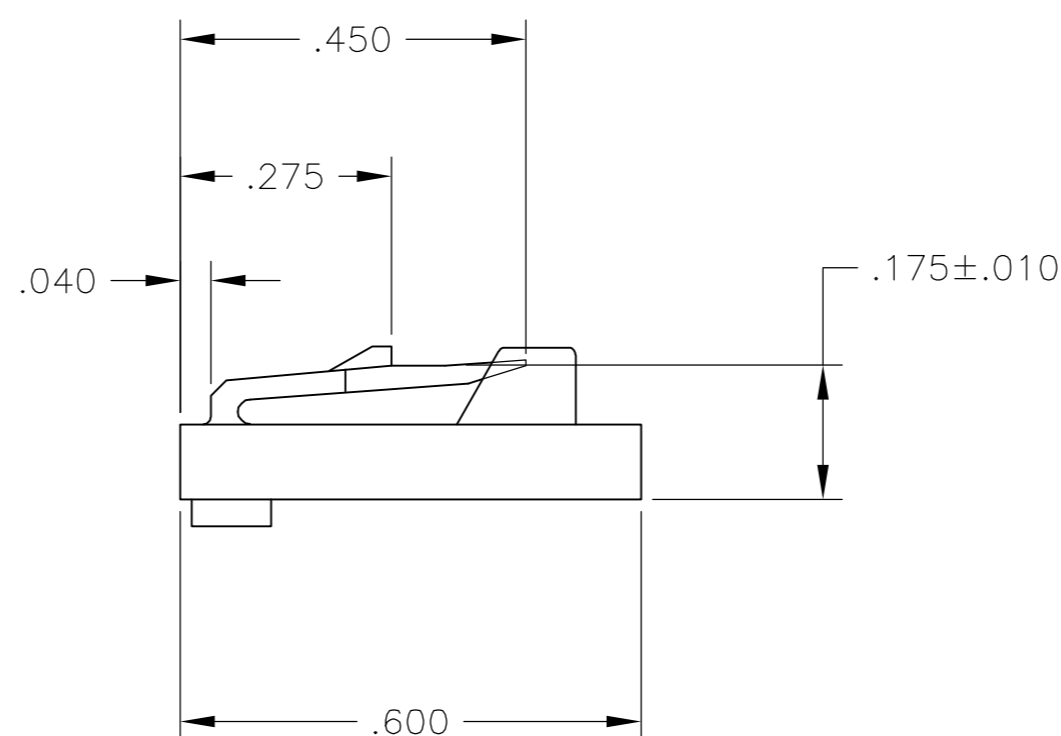
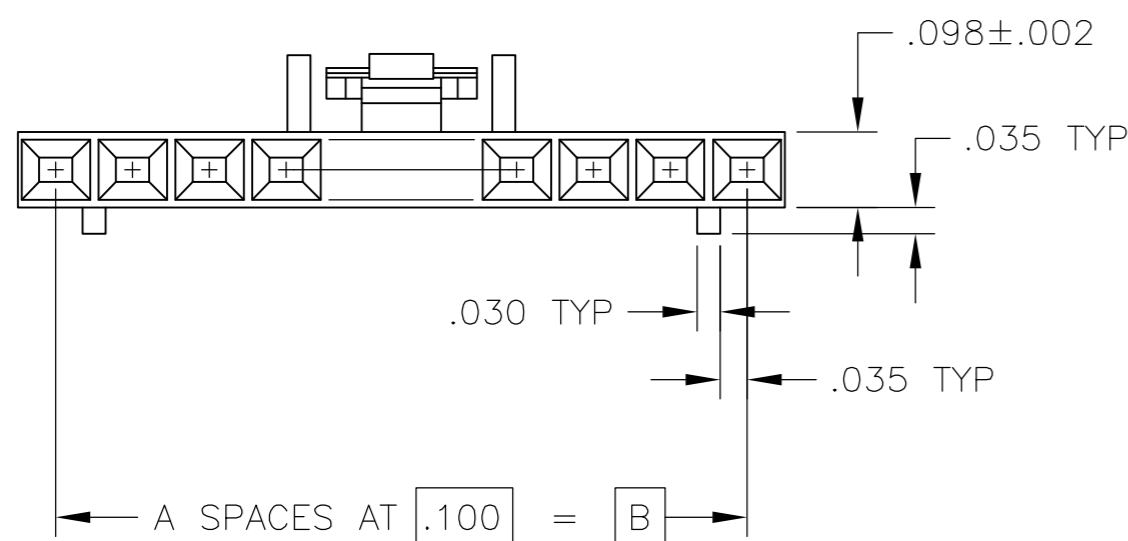


THIS DRAWING IS UNPUBLISHED. RELEASED FOR PUBLICATION
 © COPYRIGHT BY TYCO ELECTRONICS CORPORATION. ALL RIGHTS RESERVED.

LOC	DIST	REVISIONS			
P	LTR	DESCRIPTION	DATE	DWN	APVD
AD	00	B	ECR-05-7303	07SEP05	RB JG



1 MATERIAL: FLAME RETARDANT THERMOPLASTIC. COLOR- BLACK.



DETAIL FOR -1 ONLY
(3 POSITION)

1.998	1.900	19	20	1571182-2
.298	.200	2	3	1571182-1
C	B	A	NUMBER OF POSITIONS	PART NUMBER

THIS DRAWING IS A CONTROLLED DOCUMENT.		DWN	R BROWN	04FEB02	Tyco Electronics Corporation Harrisburg, Pa 17105-3608
DIMENSIONS: INCHES		CHK	J GESFORD	04FEB02	
TOLERANCES UNLESS OTHERWISE SPECIFIED:		APVD	J GESFORD	04FEB02	
0 PLC ± - 1 PLC ± - 2 PLC ± - 3 PLC ± .005 4 PLC ± - ANGLES ± - FINISH -		PRODUCT SPEC	108-25034	NAME	
MATERIAL	FINISH	APPLICATION SPEC	114-25026	WEIGHT	-
CUSTOMER DRAWING		SIZE	A2	CAGE CODE	00779
SCALE		DRAWING NO	C=1571182	RESTRICTED TO	-
SCALE 4:1		SHEET	1	OF	1
REV		B			

单击下面可查看定价，库存，交付和生命周期等信息

[>>TE Connectivity\(泰科\)](#)