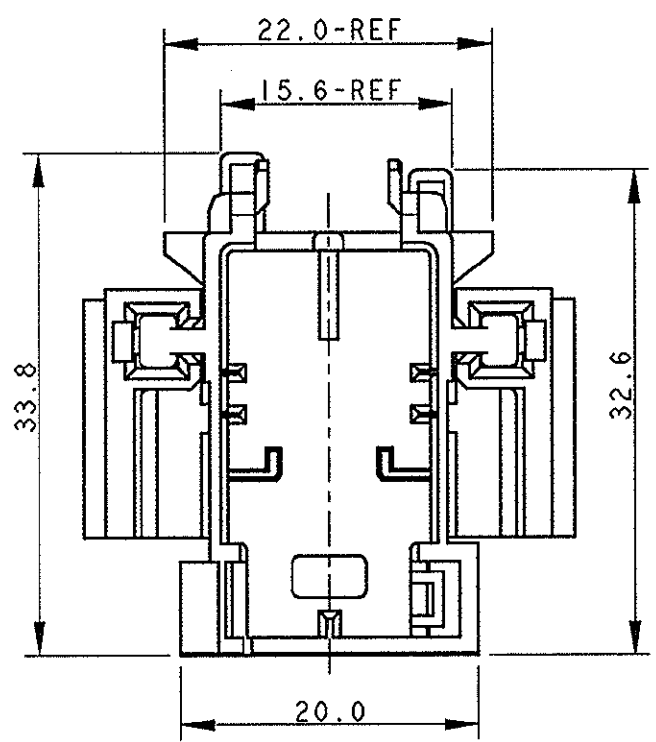
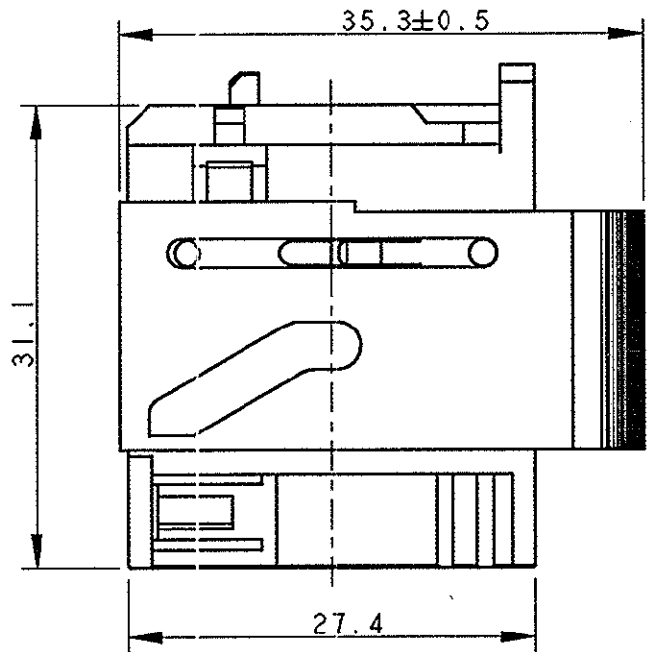
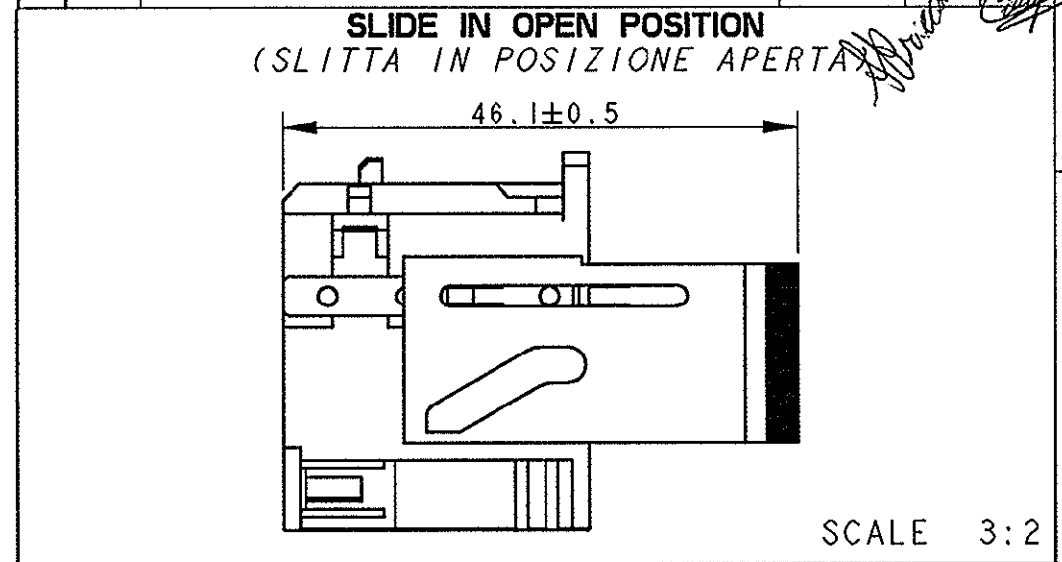
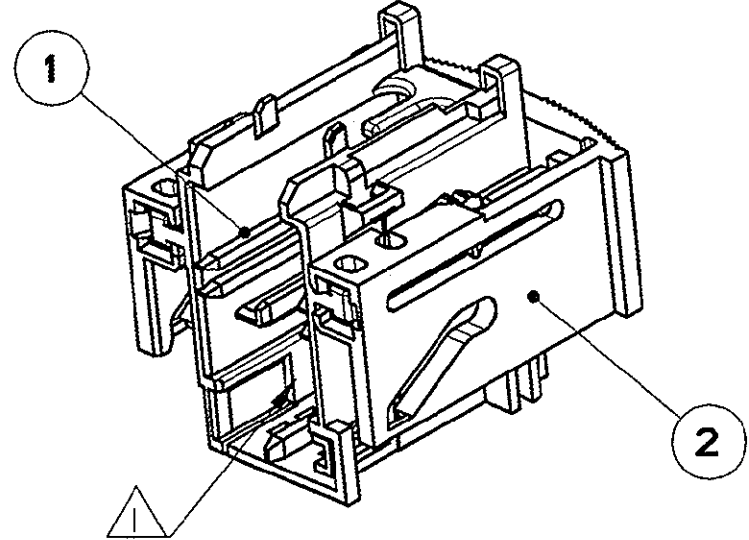
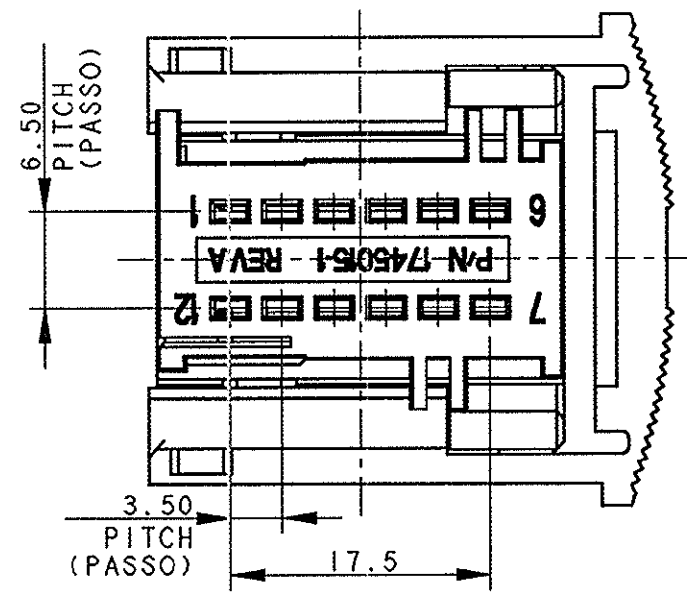


THIS DRAWING IS UNPUBLISHED. QUESTO DISEGNO NON DEVE ESSERE DIVULGATO O RIPRODOTTO.
 RELEASED FOR PUBLICATION E' CONSENTITA LA DIVULGAZIONE
 2003
 BY TYCO ELECTRONICS CORPORATION. ALL RIGHTS RESERVED. TUTTI I DIRITTI SONO RISERVATI

| LOC | DIST |
|-----|------|
| 1 | |

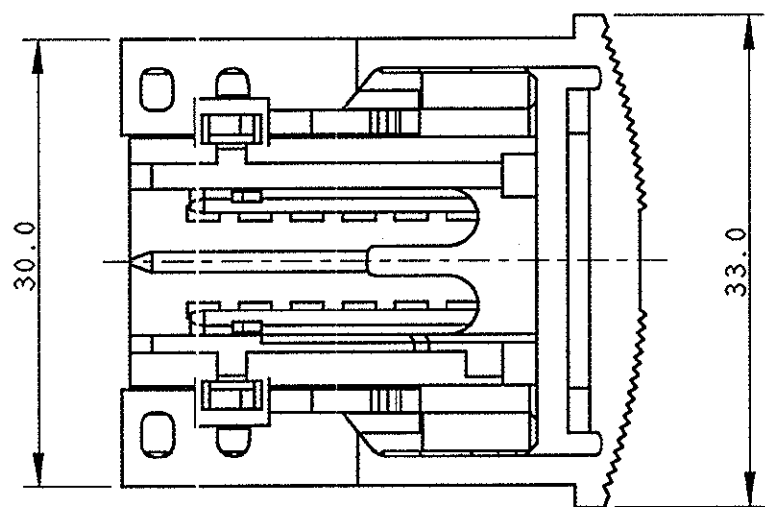
| REVISIONS REVISIONI | | | | | |
|---------------------|---------|---------------------------------------|-----------|----------|-----------|
| P | LTR REV | DESCRIPTION DESCRIZIONE | DATE DATA | DWN DIS. | APVD APP. |
| 0 | | PRELIMINARY ISSUE (EMISSIONE PRELIM.) | 04APR2003 | M.S. | O.C. |
| 1 | | WAS 03-51081-1 | 18DEC2003 | M.S. | O.C. |
| A | | FIRST ISSUE (ET00-0022-04) | 16FEB2004 | A.B. | O.C. |
| AI | | RELEASED (ET00-0245-04) | 03DEC2004 | A.B. | O.C. |



- 1) FRAME SUITABLE FOR P/N 1745013-1 12 POS. RECEPTACLE HOUSING FOR 070 NEW GENERATION CONTACT, PITCH 3.5 (CORAZZA ADATTA PER P/N 1745013-1 BLOCCETTO PORTACONTATTI 070 NEW GENERATION, PASSO 3.5)
- 2) SUPPLYING CONDITION: KIT MADE OF FRAME WITH SLIDE INTO CLOSED POSITION, PLUS COVER PUT IN THE PACKAGE (CONDIZIONI DI FORNITURA: KIT COMPOSTO DA CORAZZA CON LEVA IN POSIZIONE CHIUSA, PIU' COPERCHIO FORNITO NELLA CONFEZIONE)
- 3) FOR COUNTERPART DIMENSIONS REFER TO P/N 284795-1 SHEET 3 (PER LE DIMENSIONI DELLA CONTROPARTE USARE COME RIFERIMENTO IL P/N 284795-1 FOGLIO 3)

P/N 1745014-1 - AS SHOWN (COME MOSTRATO)

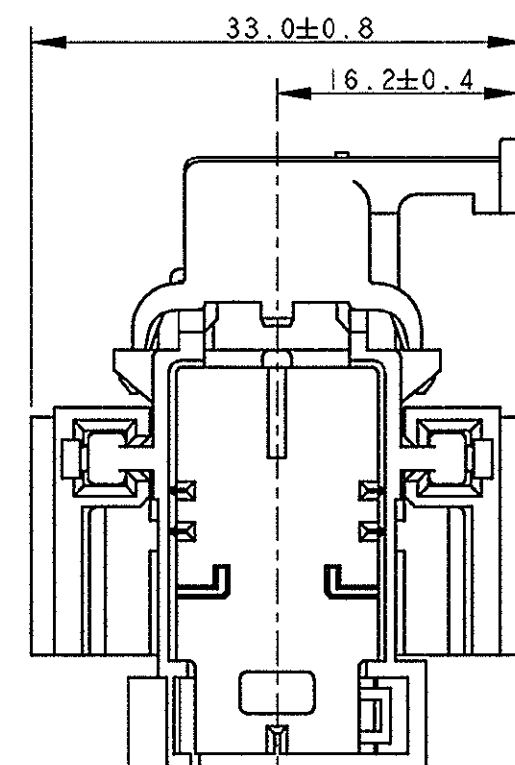
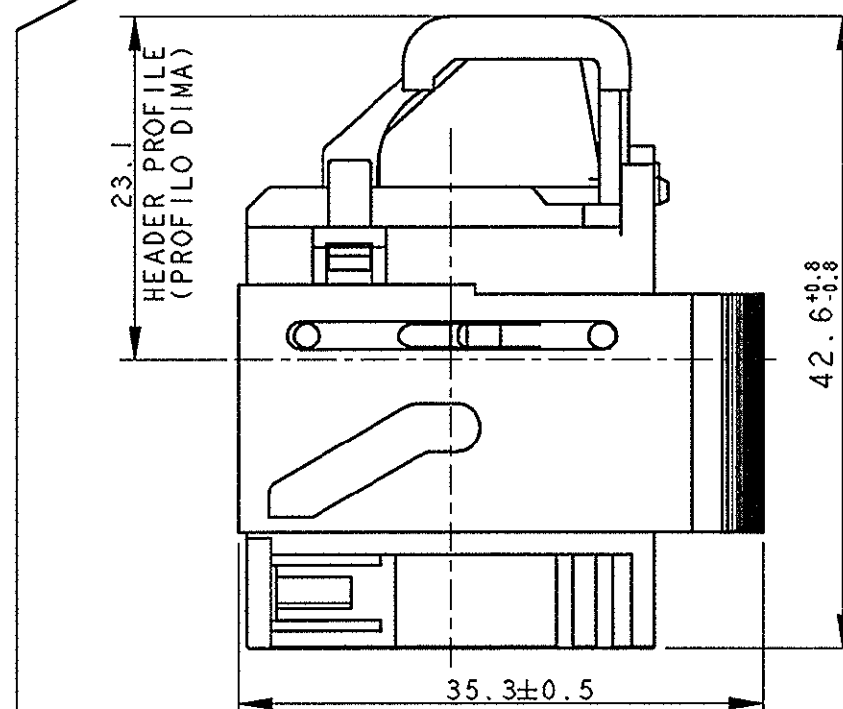
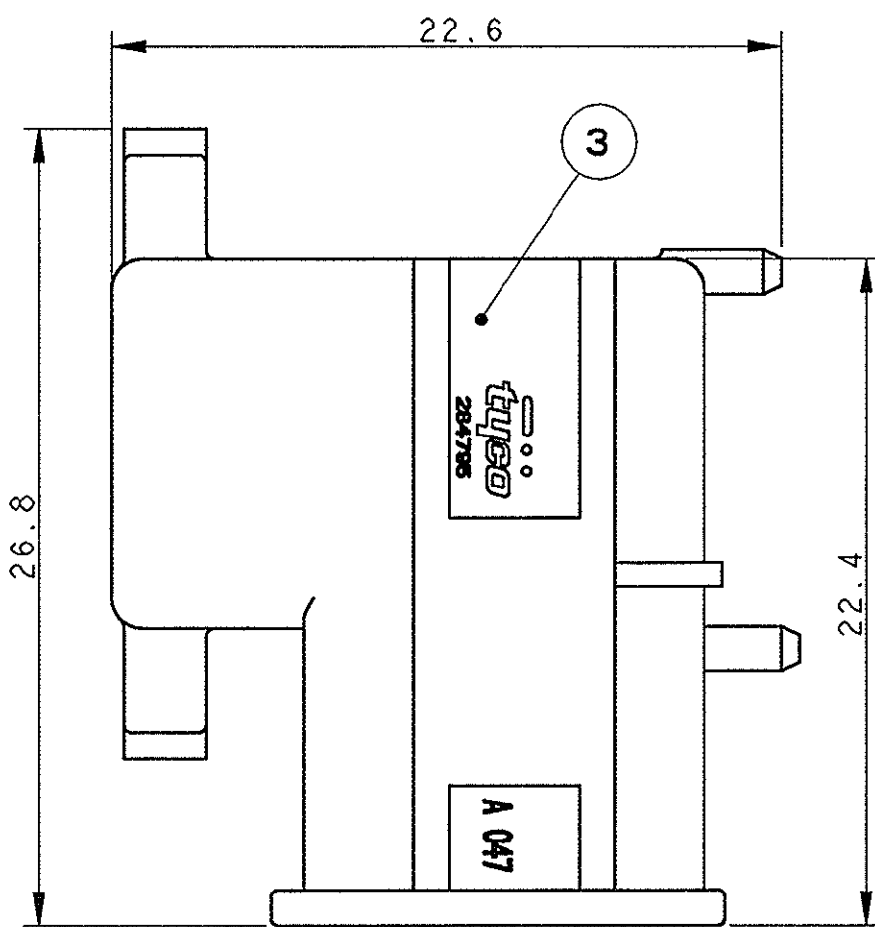
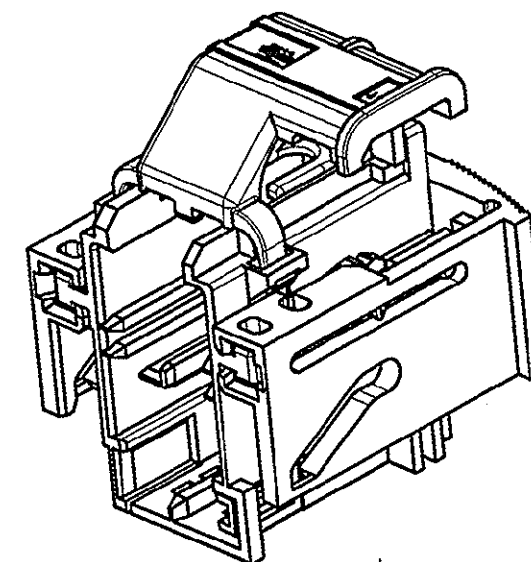
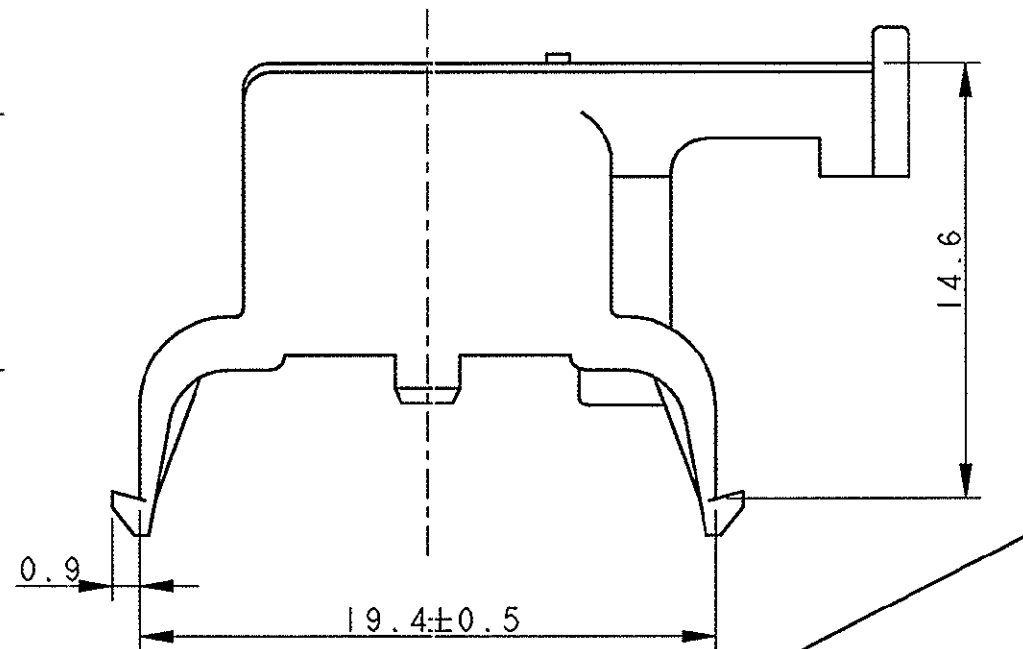
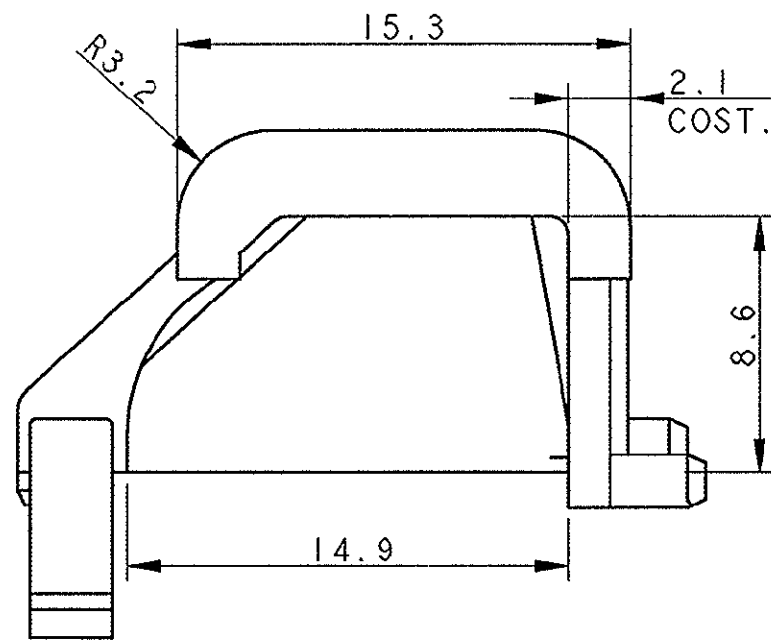
| ITEM | DESCRIPTION (DESCRIZIONE) | MATERIAL (MATERIALE) | COLOUR (COLORE) | Q.TY (Q.TA') |
|------|--|----------------------|-----------------|--------------|
| 1 | 12 POS. FRAME PITCH 3.5 (CORAZZA 12 VIE PASSO 3.5) | PA66 G.F. | BLACK (NERO) | 1 |
| 2 | SLIDE (SLITTA) | PA66 G.F. | RED (ROSSO) | 1 |
| 3 | COVER (COPERCHIO) | PA66 G.F. | BLACK (NERO) | 1 |



| | | | |
|--|--|---|--|
| THIS DRAWING IS A CONTROLLED DOCUMENT FOR TYCO ELECTRONICS CORPORATION IT IS SUBJECT TO CHANGE AND THE CONTROLLING ENGINEERING ORGANIZATION SHOULD BE CONTACTED FOR THE LATEST REVISION. QUESTO DISEGNO È UN DOCUMENTO DI PROPRIETÀ E RESPONSABILITÀ DELL'AMP INCORPORATED. È SOGGETTO A VARIAZIONI. PER OTTENERE L'ULTIMA REVISIONE DEL DISEGNO CONTATTARE L'UFFICIO TECNICO RESPONSABILE. | | DWN/DIS. 04APR2003 M. SARDI CHK/CONT. 04APR2003 O. CANUTO APVD/APP. 04APR2003 A. GENTA | tyco Electronics Tyco Electronics AMP Italia C.so F.lli Cervi, 15 Collegno TO |
| DIMENSIONS: DIMENSIONI: mm | TOLERANCES UNLESS OTHERWISE SPECIFIED: TOLLERANZE: SE NON DIVERSAMENTE SPECIFICATO 0 PLC/DEC ±0.5 1 PLC/DEC ±0.3 2 PLC/DEC ±0.1 3 PLC/DEC ± 4 PLC/DEC ± ANGLES/ANGOLI ±° | PRODUCT SPEC SPEC DI PRODOTTO 108-20251 APPLICATION SPEC SPEC DI APPLICAZIONE 411-20076 | NAME MODEL KIT 12 POS. 070 NEW GEN. PITCH 3.5 (KIT 12 VIE PASSO 3.5 PER CONTATTI 070 NEW GENERATION) |
| MATERIAL MATERIALE SEE TABLE (VEDI TAB.) FINISH FINITURA SEE TABLE (VEDI TAB.) | WEIGHT PESO CUSTOMER DRAWING | SIZE A3 CAGE CODE 00779 DRAWING NO. 1745014 | RESTRICTED TO SCALE SCALA 2:1 SHEET FOGLIO 1 OF DI 2 REV A1 |

THIS DRAWING IS UNPUBLISHED. RELEASED FOR PUBLICATION 2003
 © COPYRIGHT 2003 BY TYCO ELECTRONICS CORPORATION. ALL RIGHTS RESERVED.

| LOC | DIST | REVISIONS | | | |
|-----|------|-------------|------|-----|------|
| P | LTR | DESCRIPTION | DATE | DWN | APVD |
| 1 | | SEE SHEET 1 | - | - | - |



SCALE 4:1

SCALE 2:1

| | | | |
|---|--|--|---|
| <small>THIS DRAWING IS A CONTROLLED DOCUMENT FOR TYCO ELECTRONICS CORPORATION IT IS SUBJECT TO CHANGE AND THE CONTROLLING ENGINEERING ORGANIZATION SHOULD BE CONTACTED FOR THE LATEST REVISION.</small> | | DWN M. SARDI 04APR2003 CHK O. CANUTO 04APR2003 APVD A. GENTA 04APR2003 | tyco Electronics Tyco Electronics AMP Italia C.so F.lli Cervi, 15 Collegno TO |
| DIMENSIONS: mm | TOLERANCES UNLESS OTHERWISE SPECIFIED: 0 PLC ±0.5 1 PLC ±0.3 2 PLC ±0.1 3 PLC ± 4 PLC ± ANGLES ±1° | PRODUCT SPEC APPLICATION SPEC WEIGHT | NAME KIT 12 POS. 070 NEW GEN. PITCH 3.5 (KIT 12 VIE PASSO 3.5 PER CONTATTI 070 NEW GENERATION) |
| MATERIAL - | FINISH - | SIZE A3 CAGE CODE 00779 DRAWING NO C=1745014 | RESTRICTED TO |
| CUSTOMER DRAWING | | SCALE 5:1 | SHEET 2 OF 2 REV A1 |

单击下面可查看定价，库存，交付和生命周期等信息

[>>TE Connectivity\(泰科\)](#)