

4

3

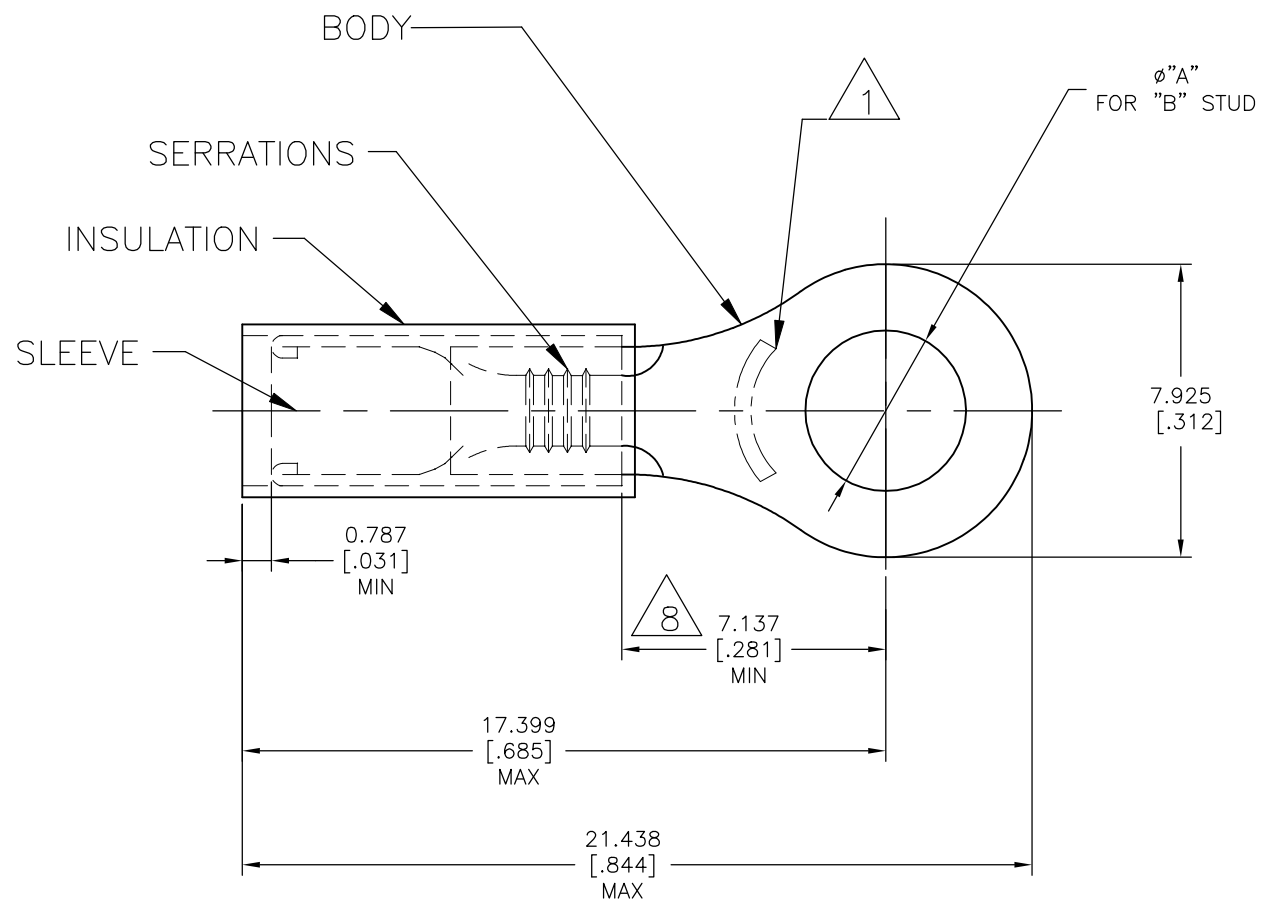
2

1

THIS DRAWING IS UNPUBLISHED. RELEASED FOR PUBLICATION
 © COPYRIGHT - By - ALL RIGHTS RESERVED.

REVISIONS				
P	LTR	DESCRIPTION	DATE	APVD
H6		REVISED PER ECO-15-016493	27NOV2015	NK DR
H7		REVISED PER ECO-17-016703	02APR2018	RS DR

- 1 STAMP "AMP 18-16*" APPROX AS SHOWN
- 2 FOR 1.397[.055] TO 3.429[.135] WIRE INSULATION DIA.
- 3 BODY MATERIAL THK: 0.787±0.051 [.031±.002]
- 4 BODY: MATERIAL: COPPER ASTM B152
FINISH: GOLD PL. PER ASTM B488, TYPE 1 CODE C, 0.00254 [.000100] MIN EXT THK OVER NICKEL PER SAE AMS QQ-N-290 0.00076 [.000030] EXT. THK.
- 5 SLEEVE: MATERIAL: COPPER ASTM B152
FINISH: NICKEL PL. SAE AMS QQ-N-290 0.00076 [.000030] AVG EXT THK.
- 6 INSULATION: MATERIAL: PTFE (ASTM D3295)
COLOR: ORANGE
- 7 NOTE DELETED
- 8 DIMENSION APPLIES FROM EDGE OF METAL WIRE BARREL TO CENTER OF STUD HOLE



6	1000	LOOSE PIECE	#10	5.004±0.076 [.197±.003]	1-332454-0
	PACKAGE QTY	PACKAGE TYPE	"B"	"A"	PART NO.

AMP INCORPORATED CUSTOMER SERVICE SYSTEMS		MAX RECOMMENDED OPERATING TEMPERATURE: 260°C [500°F]
FOR ADDITIONAL PRODUCT INFORMATION OR COPIES OF DRAWINGS AND TECHNICAL DOCUMENTS	PRODUCT INFORMATION CENTER 1-800-522-6752	VOLTAGE RATING: 300V MAX
FOR APPLICATION TOOLING INFORMATION	TOOLING ASSISTANCE CENTER 1-800-722-1111	CIRCULAR MIL AREA: 0.81-1.42mm² [1,600-2,800] STRANDED WIRE ONLY
FOR ORDER ENTRY	1-800-526-5142	

THIS DRAWING IS A CONTROLLED DOCUMENT.	
DIMENSIONS: mm [INCHES]	TOLERANCES UNLESS OTHERWISE SPECIFIED:
	0 PLC ± -
	1 PLC ± -
	2 PLC ± -
	3 PLC ± 0.127[.005]
	4 PLC ± -
	ANGLES ± -
MATERIAL	FINISH
4 5 6	4 5 6

DWN JR RUTH 11JUL05	TE Connectivity Ltd.
CHK T MICHIELUTTI 11JUL05	
APVD T MICHIELUTTI 11JUL05	NAME TERMINAL, PIDG, STRATO-THERM, RING TONGUE, WIRE SIZE: 18-16
PRODUCT SPEC	
APPLICATION SPEC	
WEIGHT	RESTRICTED TO
A3 00779	
C=332454	
CUSTOMER DRAWING	SCALE 5:1 SHEET 1 OF 1 REV H7

单击下面可查看定价，库存，交付和生命周期等信息

[>>TE Connectivity\(泰科\)](#)