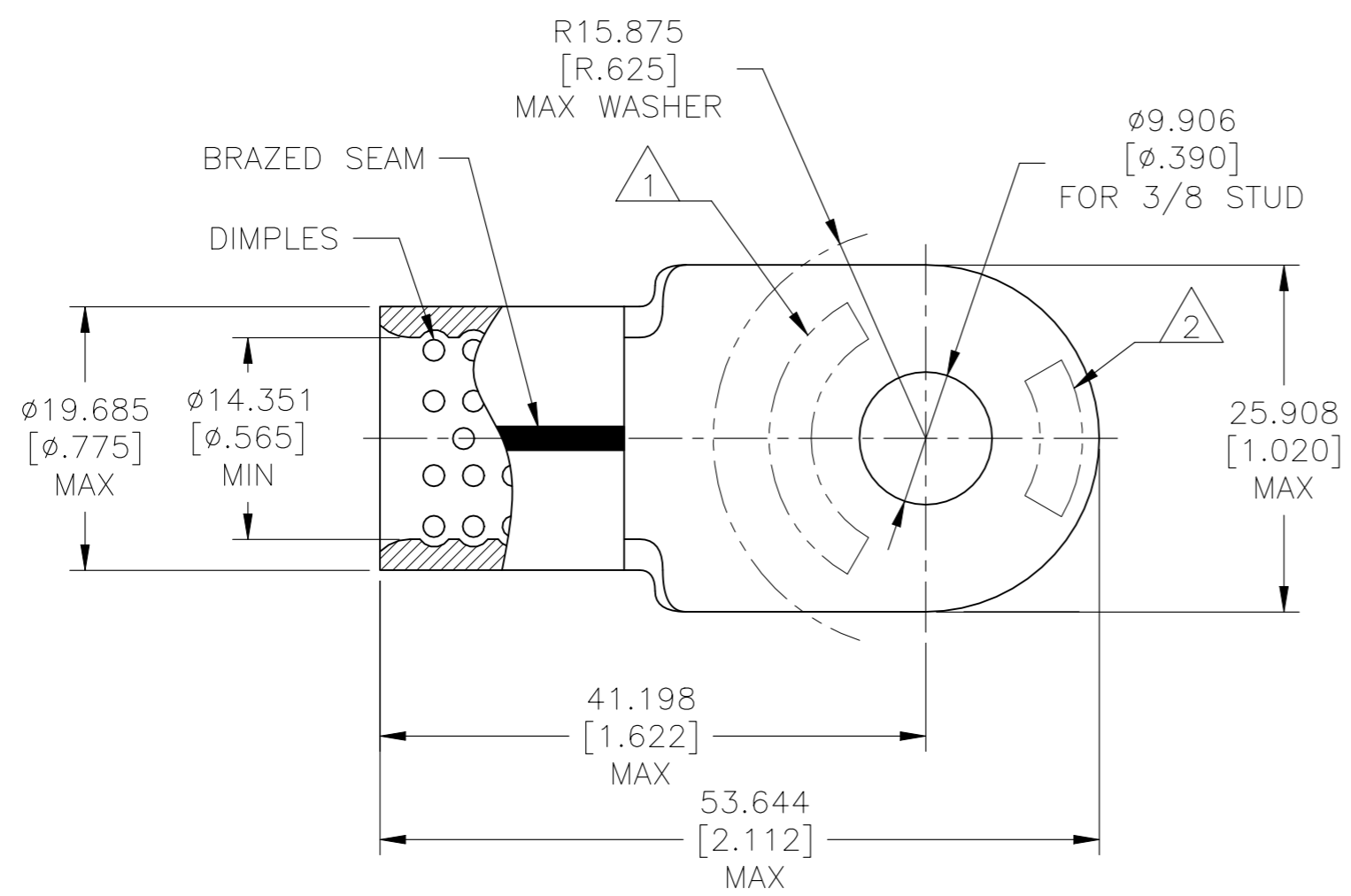


© - TE Connectivity. All Rights Reserved.

REVISIONS				
P	LTR	DESCRIPTION	DATE	APVD
	F2	REVISED PER ECO-19-009164	23JUN2020	KG DR

AMP WIRE RANGE	E13288 Listed
3/0 AWG SOLID OR STRANDED	3/0 AWG STRANDED
LR7189 Certified	MILITARY P/N AND CLASS
3/0 AWG SOLID OR STRANDED	MS20659-121 CLASS 2



- STAMP AMP 3/0W* APPROX AS SHOWN
- STAMP AMP 150 APPROX AS SHOWN
- 3 MATERIAL THK: 2.311±0.051 [.091±.002]
- TIN PLATE 0.00254 [.000100] MIN.
EXT. THK. PER SAE ASTM B545
- NICKEL PLATE 0.00762 [.000300] MIN.
EXT. THK. PER AMS QQ-N-290
- NOT UL, CSA OR MILITARY APPROVED.
FOR STRANDED WIRE ONLY
- PRODUCT SPECIFICATION UL 486A-B,
SAE AS7928
- COPPER PER ASTM B152, ANNEALED

	343°C [649°F]	50	LOOSE PIECE	321875-1
	170°C [338°F]	50	LOOSE PIECE	321875
	MAX RECOMMENDED TEMPERATURE	QTY	PACKAGE TYPE	PART NO

AMP INCORPORATED CUSTOMER SERVICE SYSTEMS		MAX RECOMMENDED OPERATING TEMPERATURE: SEE TABLE	THIS DRAWING IS A CONTROLLED DOCUMENT.		DWN DK SCHRUM 5/25/93	TE Connectivity						
FOR ADDITIONAL PRODUCT INFORMATION OR COPIES OF DRAWINGS AND TECHNICAL DOCUMENTS	PRODUCT INFORMATION CENTER 1-800-522-6752	VOLTAGE RATING: NOT APPLICABLE	DIMENSIONS: mm [INCHES]	TOLERANCES UNLESS OTHERWISE SPECIFIED:	CHK RD HEIM 1/27/94	NAME TERMINAL, RING TONGUE, SOLISTRAND AND STRATO-THERM HR, WIRE SIZE: 3/0 AWG						
FOR APPLICATION TOOLING INFORMATION	TOOLING ASSISTANCE CENTER 1-800-722-1111	WIRE CROSS SECTIONAL AREA RANGE: 76.3-96.3mm ² [150,500-190,000] CIR MILS SOLID OR STRANDED		0 PLC ± - 1 PLC ± - 2 PLC ± - 3 PLC ± 0.127[.005] 4 PLC ± - ANGLES ± -	APVD RE ROSER 1/27/94	APPLICATION SPEC 		SIZE A3	CAGE CODE 00779	DRAWING NO C-321875	RESTRICTED TO -	
FOR ORDER ENTRY	1-800-526-5142	THIS DRAWING IS A CONTROLLED DOCUMENT FOR AMP INCORPORATED. IT IS SUBJECT TO CHANGE AND THE CONTROLLING ENGINEERING ORGANIZATION SHOULD BE CONTACTED FOR THE LATEST REVISION.	MATERIAL 	FINISH 	PRODUCT SPEC -	WEIGHT -		CUSTOMER DRAWING		SCALE 2:1	SHEET 1 OF 1	REV F2

单击下面可查看定价，库存，交付和生命周期等信息

[>>TE Connectivity\(泰科\)](#)