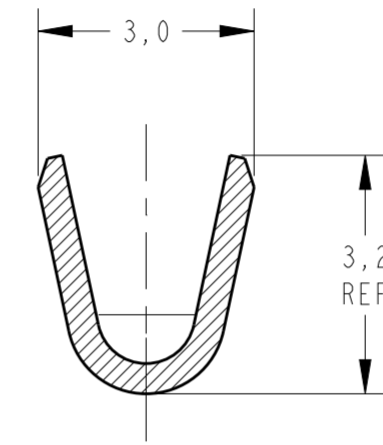
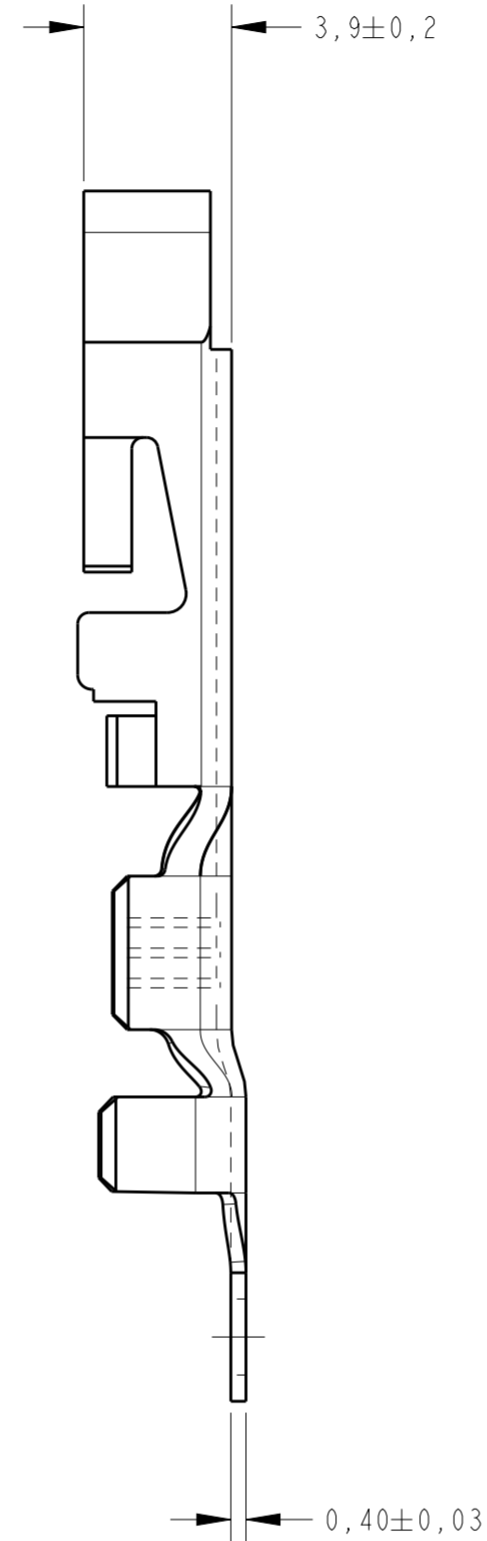
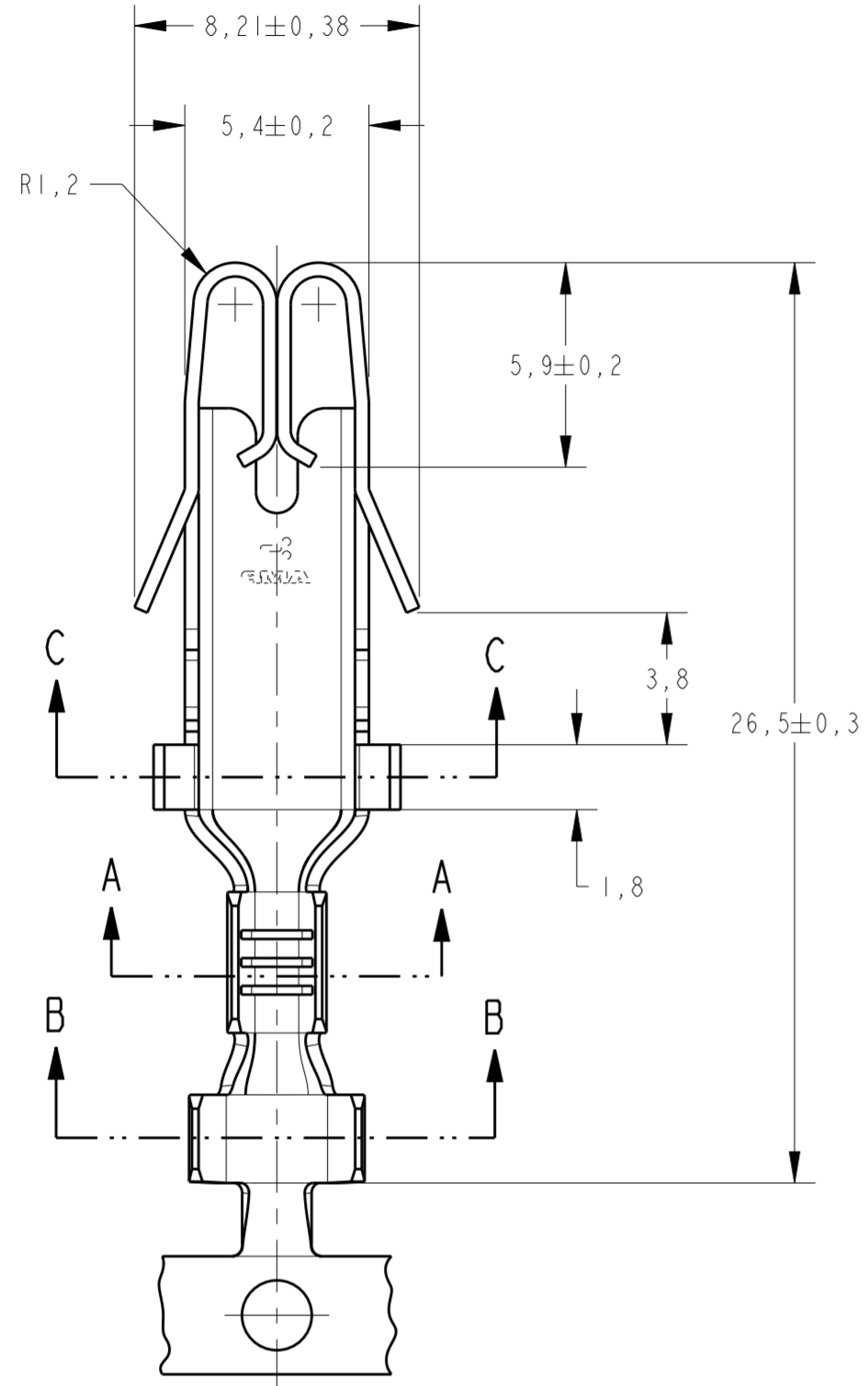


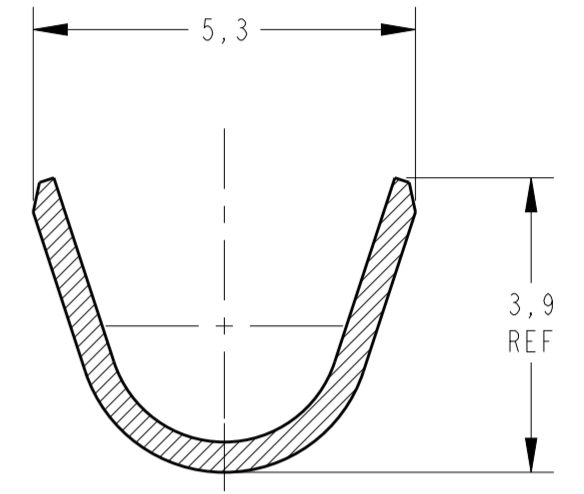
THIS DRAWING IS UNPUBLISHED. RELEASED FOR PUBLICATION 20
 © COPYRIGHT 20 BY - ALL RIGHTS RESERVED.

creo
 Creo Parametric 2.0
**DO NOT REVISE
 EXCEPT BY CAD**

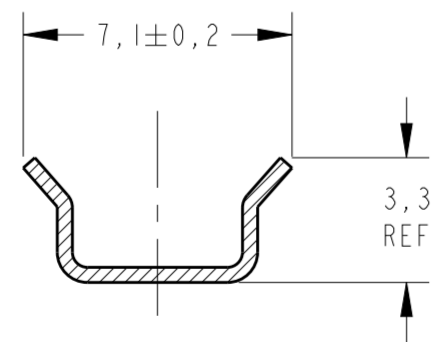
REVISIONS					
P	LTR	DESCRIPTION	DATE	DWN	APVD
	M	REDRAW BY CAD ECO-14-013531	05SEP2014	NCL	LWP



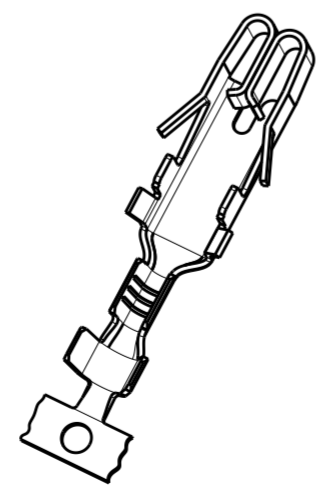
SECTION A-A
 SCALE 10:1



SECTION B-B
 SCALE 10:1



SECTION C-C



PERSPECTIVE VIEW
 SCALE 2:1

WIRE RANGE
 0,5-1,5mm²
 INSUL. RANGE
 Ø2,0-3,0mm

OBSOLETE	PRE-ESTANHADO / PRE TINNED	LATÃO / BRASS	880397-2
		LATÃO / BRASS	880397-1
	FINISH	MATERIAL	PART NUMBER

THIS DRAWING IS A CONTROLLED DOCUMENT.		DWN NCLAPRESA 08SEP2014	TE Connectivity FUSE CONTACT	
DIMENSIONS: mm		CHK ECHRISTIANO 08SEP2014		
		APVD LWPRADO 08SEP2014		
TOLERANCES UNLESS OTHERWISE SPECIFIED:		PRODUCT SPEC	NAME	
0 PLC ±-	1 PLC ±0,5	APPLICATION SPEC	-	
2 PLC ±-	3 PLC ±-	WEIGHT	-	
4 PLC ±-	ANGLES ±°	Customer Drawing	SIZE A2	CAGE CODE 00779
FINISH	SEE TABLE	SCALE 2:1	DRAWING NO 880397	RESTRICTED TO
		SHEET 5:1	OF 1	REV M

单击下面可查看定价，库存，交付和生命周期等信息

[>>TE Connectivity\(泰科\)](#)