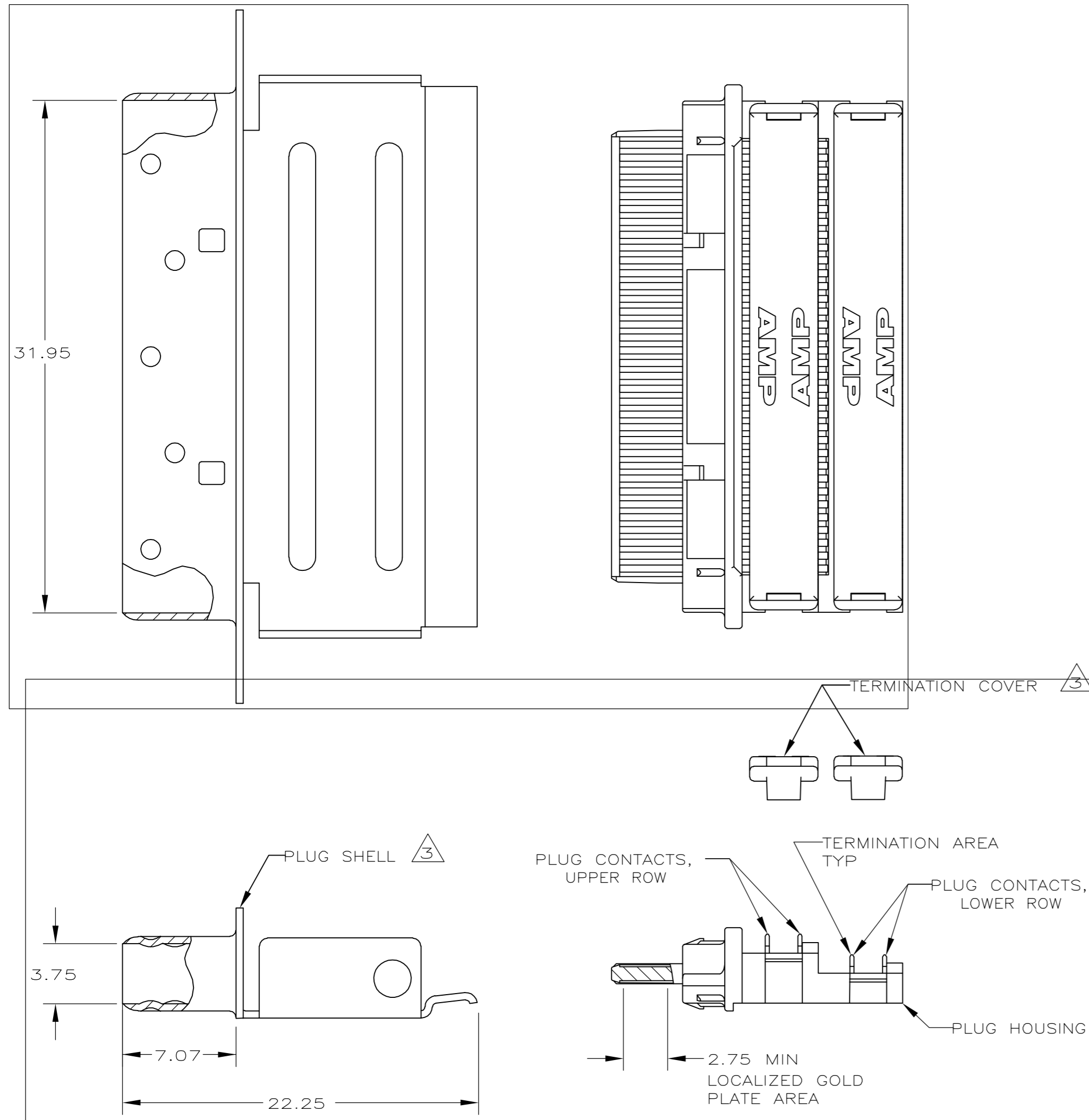
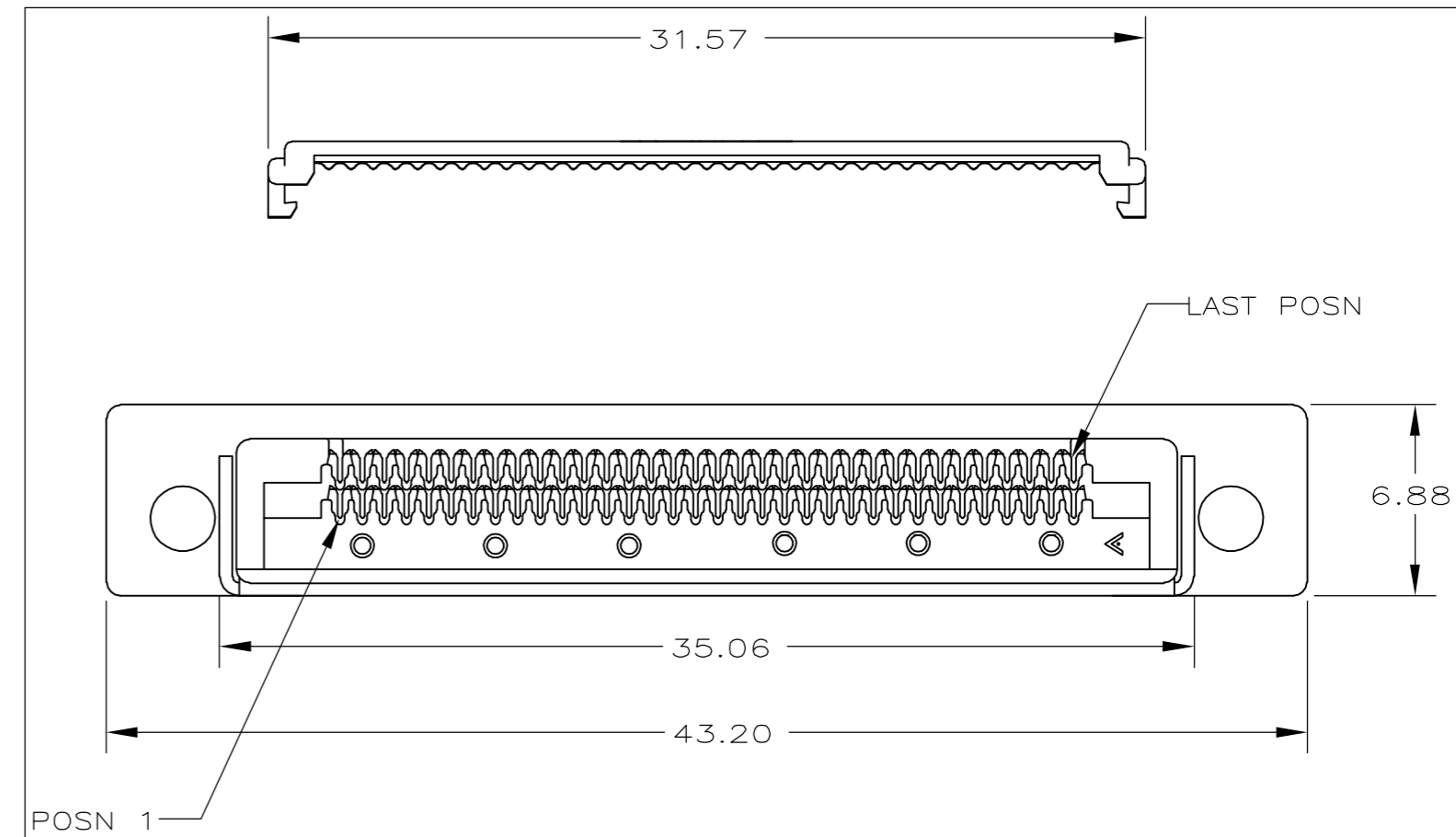


THIS DRAWING IS UNPUBLISHED. RELEASED FOR PUBLICATION  
 © COPYRIGHT 20 BY TYCO ELECTRONICS CORPORATION. ALL RIGHTS RESERVED.

LOC	DIST	REVISIONS			
P	LTR	DESCRIPTION	DATE	DWN	APVD
GP	00	C1	REVISED PER ECO-06-012000	24AUG06	JRP SS



- 1 MATERIAL:  
 PLUG CONTACTS - PHOSPHOR BRONZE.  
 PLUG SHELL - CARBON STEEL.  
 PLUG HOUSING - LCP, NATURAL, RATED UL 94V-0.  
 TERMINATION COVERS - LCP, BLACK, RATED UL 94V-0.
- 2 PLATING:  
 PLUG CONTACTS - 0.76µm MINIMUM GOLD PLATE IN LOCALIZED GOLD PLATE AREA, 1.27µm MINIMUM TIN-LEAD PLATE IN TERMINATION AREA, ALL OVER 1.27µm MINIMUM NICKEL.  
 PLUG SHELL - 5.08µm MINIMUM NICKEL OVER 1.27µm MINIMUM COPPER.
- 3 TERMINATION COVERS AND PLUG SHELL ARE PACKAGED UNASSEMBLED.
- 4. RECOMMENDED WIRE: 30 AWG WITH A 0.56-0.64 INSULATION DIAMETER, WIRE MUST BE APPROVED BY AMP ENGINEERING.



787775-1  
PART NUMBER

THIS DRAWING IS A CONTROLLED DOCUMENT.		DWN T.SHUEY 08MAR05	Tyco Electronics Corporation Harrisburg, Pa 17105-3608	
DIMENSIONS: mm		CHK J.GERACE 08MAR05		
TOLERANCES UNLESS OTHERWISE SPECIFIED:		APVD M.WALMSLEY 08MAR05	NAME	
0 PLC ± -		PRODUCT SPEC	PLUG KIT, UNASSEMBLED, 68 POSN, CHAMP 0.8MM OFFSET CABLE CONNECTOR	
1 PLC ± -		APPLICATION SPEC	-	
2 PLC ± 0.13		108-1471	SIZE A2	CAGE CODE 00779
3 PLC ± -		-	DRAWING NO C=787775	RESTRICTED TO -
4 PLC ± -		WEIGHT -	SCALE 4:1	SHEET 1 OF 1
ANGLES ± -		CUSTOMER DRAWING	REV C1	
FINISH				

单击下面可查看定价，库存，交付和生命周期等信息

[>>TE Connectivity\(泰科\)](#)