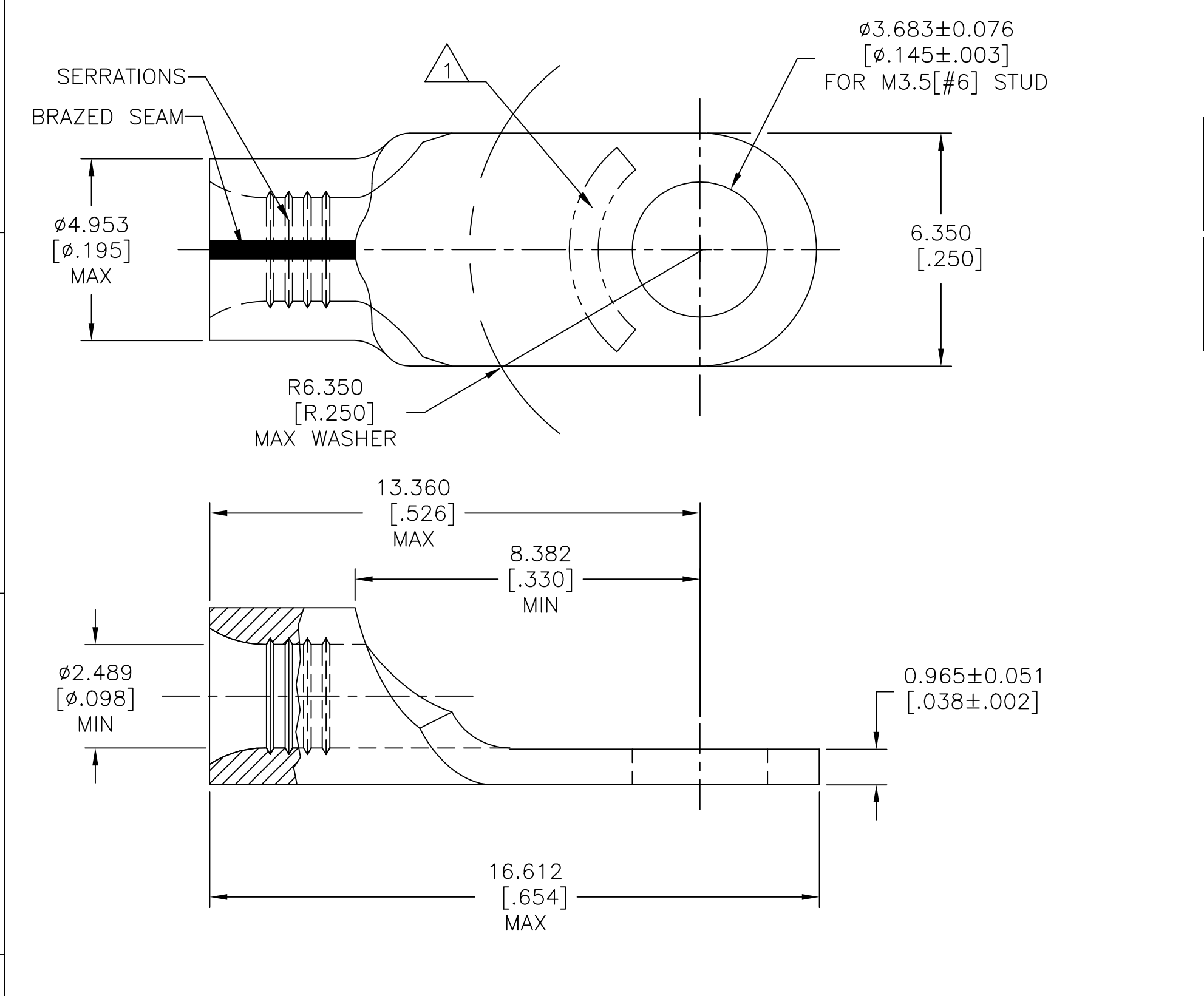


P	LTR	DESCRIPTION	DATE	DWN	APVD
	D	REVISED PER OL20-0067-97	26MAR97	DKS	MJS
	D1	REVISED PER ECO-17-008808	12FEB2018	RS	DR



<b>AMP</b> WIRE RANGE	E13288 Listed
14-12 AWG SOLID OR STRANDED	14-12 AWG STRANDED
LR7189 Certified	MILITARY P/N AND CLASS
14-12 AWG SOLID OR STRANDED	NOT APPLICABLE

△ 1 STAMP AMP 14-12\* APPROX AS SHOWN

5000	TAPE MOUNTED, REEL	2-35684-1
500	LOOSE PIECE	35684
QTY	PACKAGE TYPE	AMP PART NUMBER

AMP INCORPORATED CUSTOMER SERVICE SYSTEMS		THIS DRAWING IS A CONTROLLED DOCUMENT.		DWN DK SCHRUM 26MAR97	TE Connectivity Ltd.		
FOR ADDITIONAL PRODUCT INFORMATION OR COPIES OF DRAWINGS AND TECHNICAL DOCUMENTS PRODUCT INFORMATION CENTER 1-800-522-6752		DIMENSIONS: mm [INCHES]		CHK MJ SPICER 27MAR97			
FOR APPLICATION TOOLING ASSISTANCE CENTER TOOLING INFORMATION 1-800-722-1111		TOLERANCES UNLESS OTHERWISE SPECIFIED: 0 PLC ± - 1 PLC ± - 2 PLC ± - 3 PLC ± 0.127[.005] 4 PLC ± - ANGLES ± -		APVD JL MECKLEY 27MAR97	SIZE A3 CAGE CODE 00779 DRAWING NO C=35684 RESTRICTED TO -		
FOR ORDER ENTRY 1-800-526-5142		MATERIAL PER ASTM B52 ANNEALED		FINISH 0.00254 [0.100] MIN THK PER ASTM B545			
MAX RECOMMENDED OPERATING TEMPERATURE: 170°C [338°F] MAX VOLTAGE RATING: NOT APPLICABLE WIRE CROSS SECTIONAL AREA RANGE, 1.65-4.17mm² [3,260-8,230] CIR MILS SOLID OR STRANDED		MATERIAL COPPER 52 ANNEALED		CUSTOMER DRAWING			

单击下面可查看定价，库存，交付和生命周期等信息

[>>TE Connectivity\(泰科\)](#)