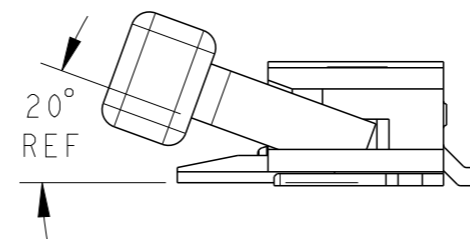
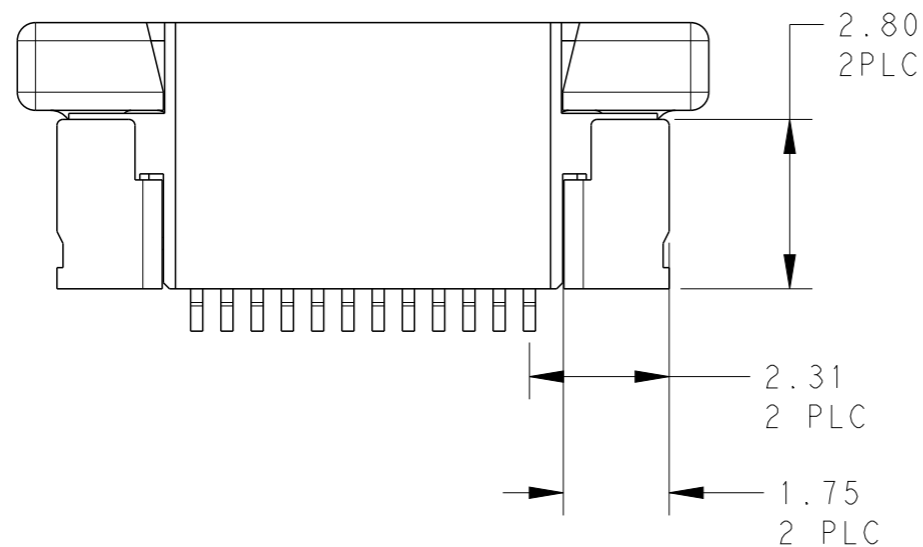
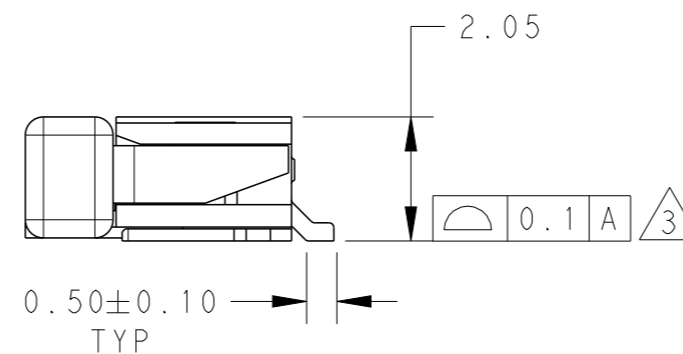
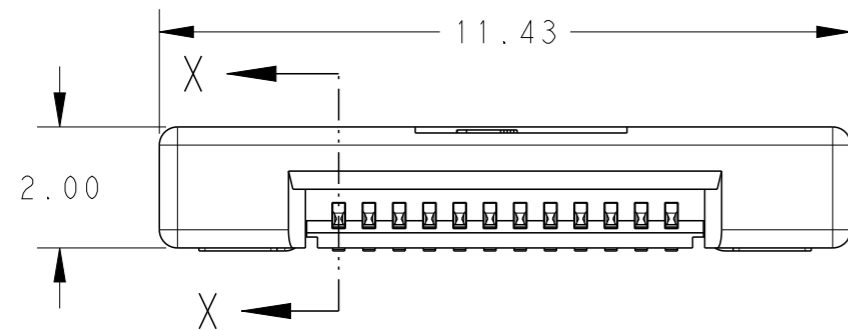
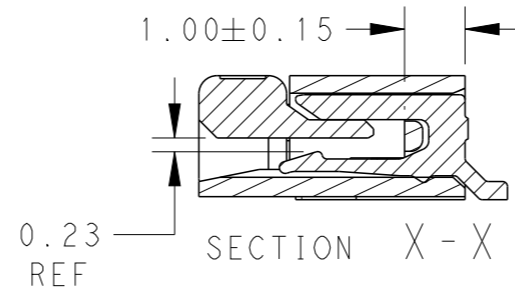
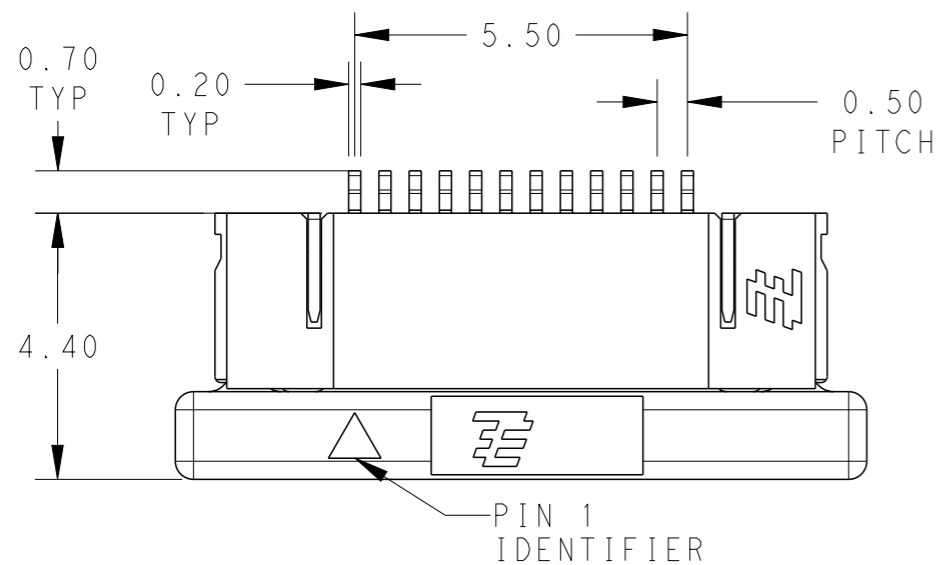
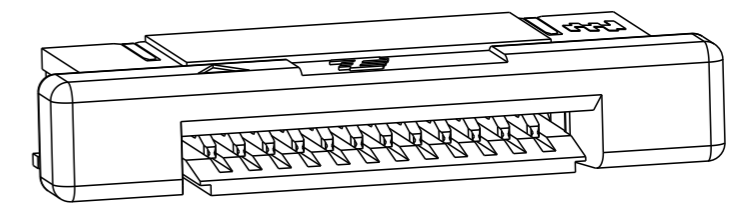


P	LTR	DESCRIPTION	DATE	DWN	APVD
	B2	REVISED BY ECR-20-009210	09DEC2020	H. X	W. H



NOTES:

- 1 MATERIAL:
 - HOUSING : HIGH TEMP. THERMOPLSATIC, UL94 V-0
 - COLOUR : NATURAL
 - ACTUATOR : HIGH TEMP. THERMOPLSATIC, UL94 V-0
 - COLOUR : BLACK
 - CONTACT : COPPER ALLOY
 - SOLDER PEG : COPPER ALLOY
- 2 FINISH:
 - CONTACT :
 - UNDERPLATE : 1.27um MIN. NICKEL PLATING
 - OVERPLATE : 0.05um MIN SELECTIVE GOLD FLASH OVER CONTACT ON MATING AND SOLDER TAIL AREA.
 - SOLDER PEG :
 - UNDERPLATE : 1.27um MIN. NICKEL PLATING
 - OVERPLATE : 2.54um MIN MATTE TIN
- 3 SOLDER TAILS AND SOLDER PEG COPLANARITY : 0.1mm MAX
- 4. PACKAGING SPECIFICATION: TAPE AND REEL
PRIMARY PACK QTY: 1800PCS/REEL
- 5. OBSOLETE PART: 1-1735842-2

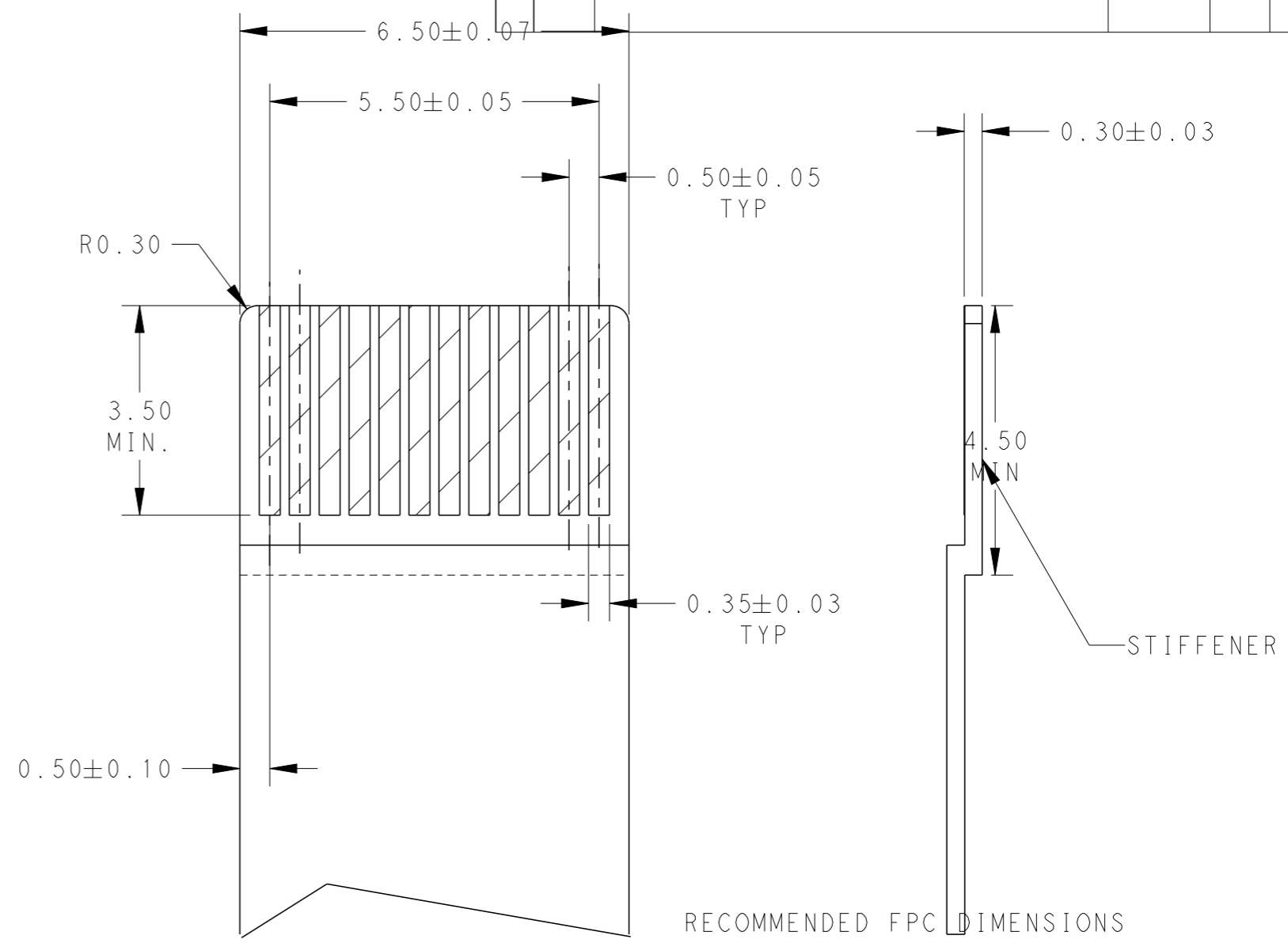
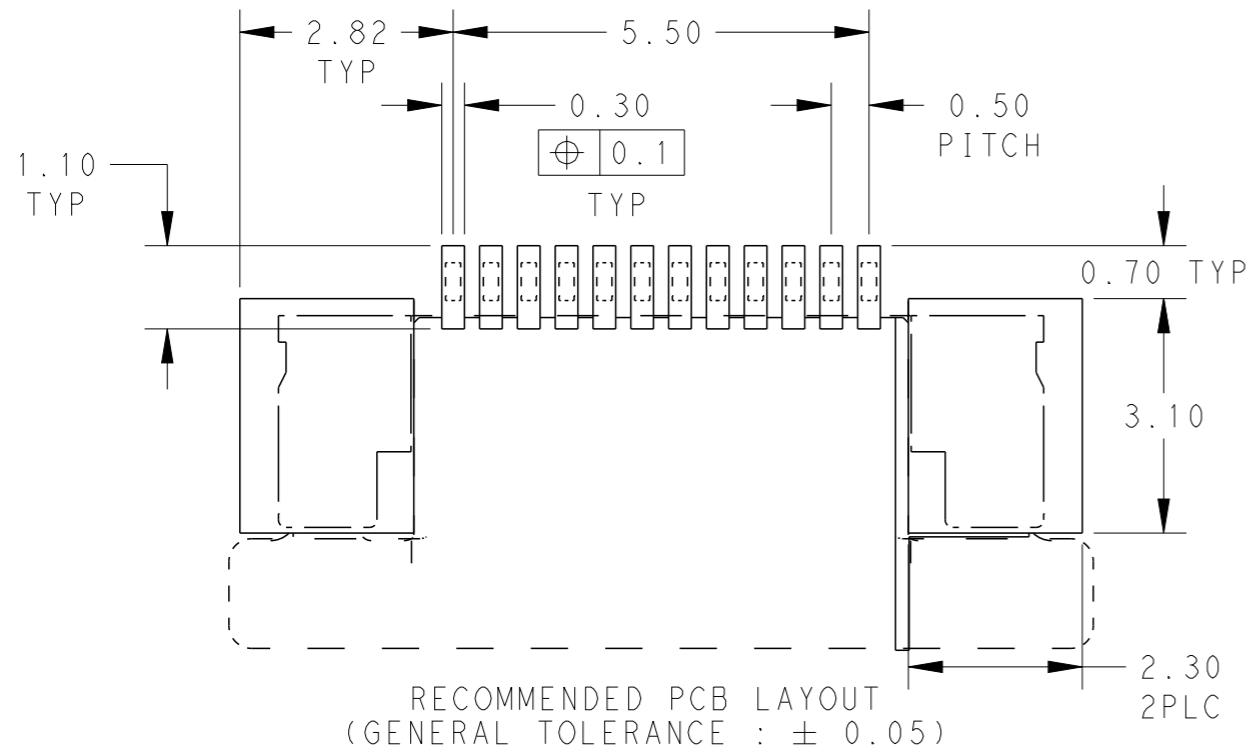


ISOMETRIC VIEW

1-1735842-2 AS SHOWN

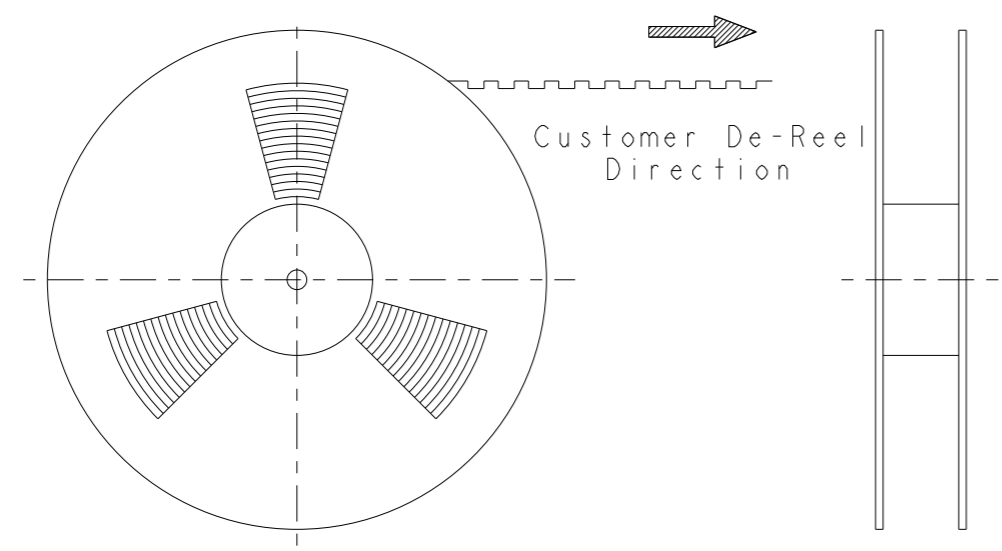
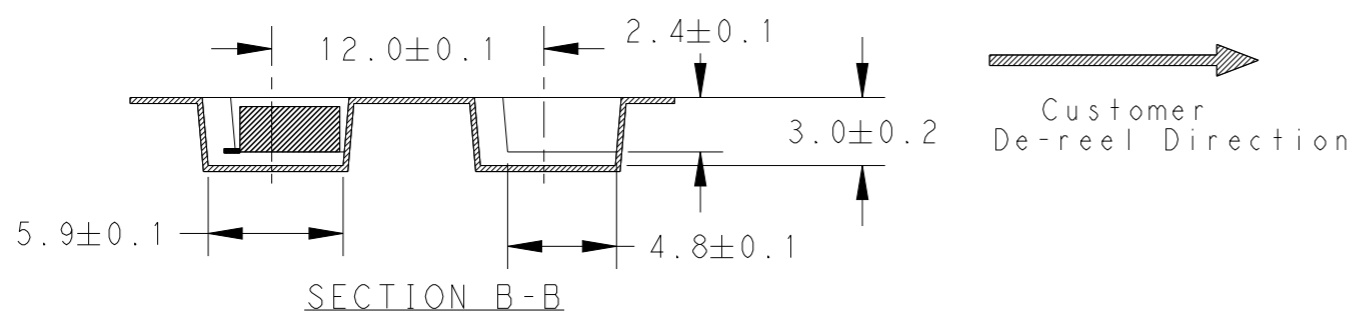
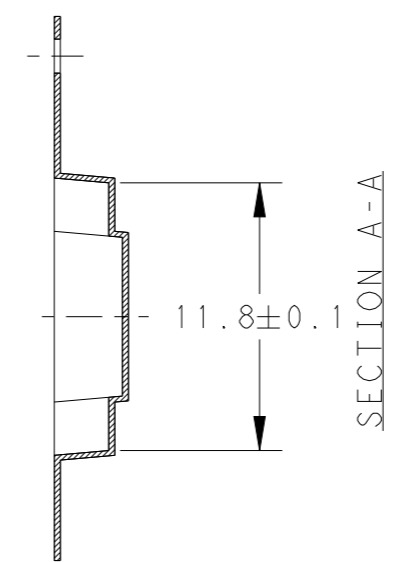
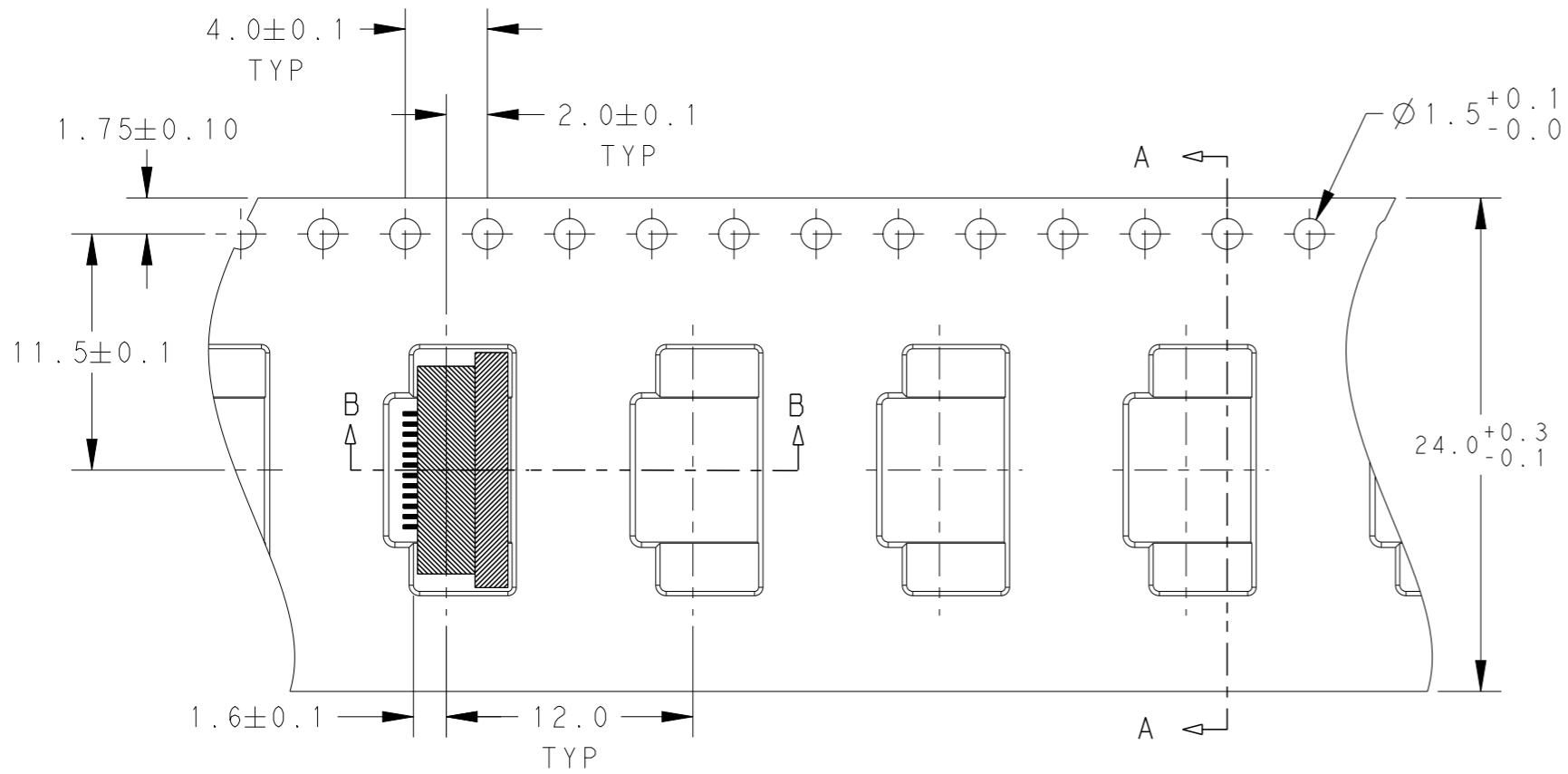
THIS DRAWING IS A CONTROLLED DOCUMENT.		DWN	10MAR2010		TE Connectivity NAME ASSEMBLY, 0.5mm PITCH FPC BOTTOM CONTACT, SMT TYPE -
DIMENSIONS:		CHK	10MAR2010		
mm		APVD	03MAY2010		
TOLERANCES UNLESS OTHERWISE SPECIFIED:		PRODUCT SPEC	108-51107		
0 PLC ±- 1 PLC ±0.1 2 PLC ±0.1 3 PLC ±0.1 4 PLC ±- ANGLES ±1°		APPLICATION SPEC	-	SIZE	A3
MATERIAL		FINISH	-	WEIGHT	-
-		-		CAGE CODE	00779
		CUSTOMER DRAWING		DRAWING NO	1735842
				RESTRICTED TO	-
				SCALE	8:1
				SHEET	1 OF 3
				REV	B2

P	LTR	DESCRIPTION	DATE	DWN	APVD
		SEE SHEET 1			



THIS DRAWING IS A CONTROLLED DOCUMENT.		DWN	10MAR2010		STE TE Connectivity
		CHK	10MAR2010		
		APVD	03MAY2010		
		NAME	SIFLEONG		
DIMENSIONS: mm		TOLERANCES UNLESS OTHERWISE SPECIFIED:		ASSEMBLY, 0.5mm PITCH FPC BOTTOM CONTACT, SMT TYPE	
		0 PLC ± -		SIZE	
		1 PLC ± 0.1		CAGE CODE	
		2 PLC ± 0.1		DRAWING NO	
		3 PLC ± 0.1		RESTRICTED TO	
		4 PLC ± -		A3 00779	
		ANGLES ± -		C= 1735842	
MATERIAL		FINISH		SCALE	
				8:1	
				SHEET	
				2 OF 3	
				REV	
				B2	
				CUSTOMER DRAWING	

P	LTR	DESCRIPTION	DATE	DWN	APVD
		SEE SHEET 1			



THIS DRAWING IS A CONTROLLED DOCUMENT.

DIMENSIONS:	TOLERANCES UNLESS OTHERWISE SPECIFIED:
mm	
	0 PLC ± -
	1 PLC ± 0.1
	2 PLC ± 0.1
	3 PLC ± 0.1
	4 PLC ± -
	ANGLES ± 1°
MATERIAL	FINISH
-	-

DWN	VINCENT TAN	10MAR2010
CHK	VINCENT TAN	10MAR2010
APVD	SFLEONG	03MAY2010
PRODUCT SPEC	-	
APPLICATION SPEC	-	
WEIGHT	-	
CUSTOMER DRAWING		

TE Connectivity		NAME	
		ASSEMBLY, 0.5mm PITCH FPC BOTTOM CONTACT, SMT TYPE	
SIZE	CAGE CODE	DRAWING NO	RESTRICTED TO
A3	00779	C= 1735842	-
SCALE		SHEET	REV
8:1		3 OF 3	B2

单击下面可查看定价，库存，交付和生命周期等信息

[>>TE Connectivity\(泰科\)](#)