

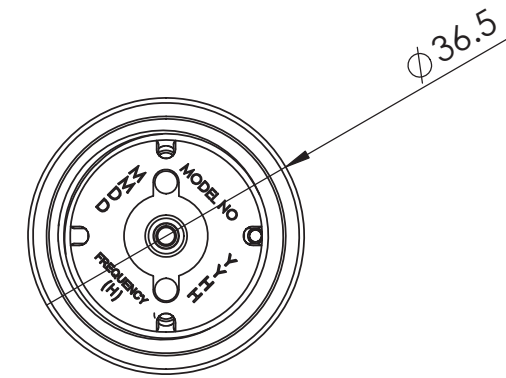
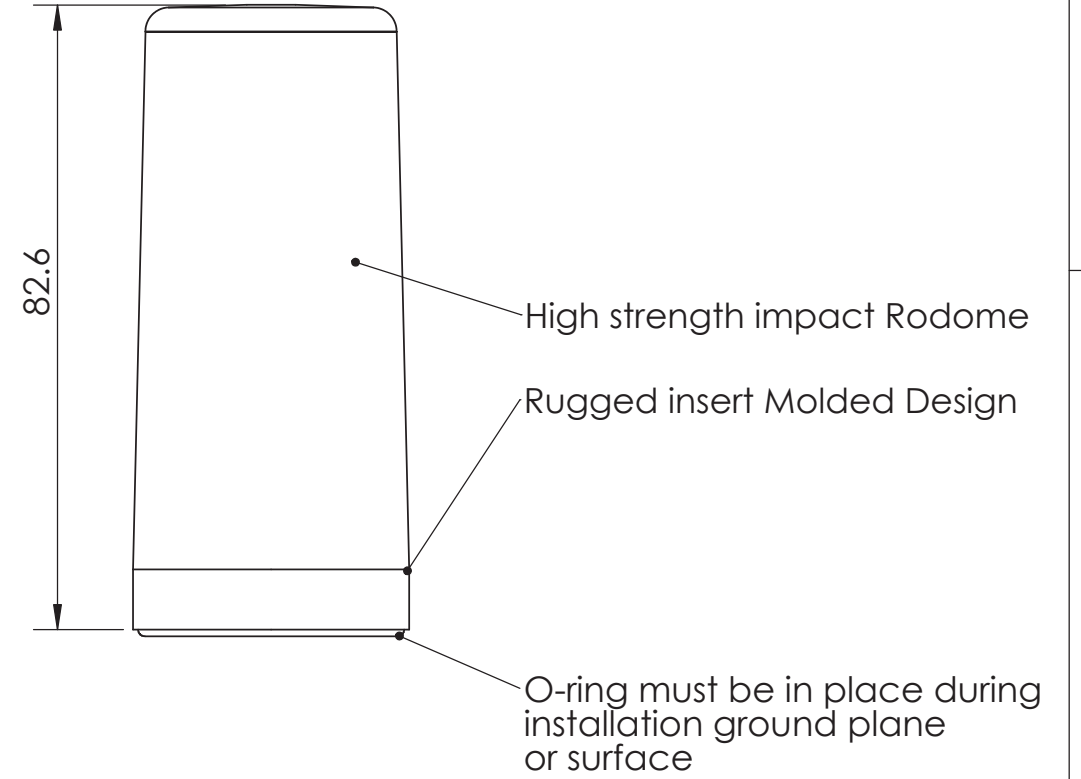
Electrical SPEC

Item	Model Number	Antenna Color	Frequency	VSWR	Gain (Typical)	Gain (Max)	Input Impedance	Polarization
1	UTRA4061S2NW-001	WHITE	406-440 MHz	<2.5:1	2.4 dBi	2.9 dBi	50 ohm	Vertical
2	UTRA4061S2NB-001	BLACK	406-440 MHz	<2.5:1	2.4 dBi	2.9 dBi	50 ohm	Vertical

*Tested on 2ft x 2ft Ground Plane

REVISIONS

REV.	ECR#	ZONE	DESCRIPTION	CHANGED BY/DATE	APPROVED BY/DATE
F01	ECN-IAS-03462	N/A	MO RELEASED	TPC 8 MAY 13	CYH 8 MAY 13



Parameter

Mechanical SPEC

Model Number	Refer to Config Table Below
Antenna Type	Shorted Monopole
Weight	163.3g
Mounting	NMO
Wind Survival	282 km/h
Antenna Dimension	82.6(H)X36.5(Dia.)mm (Excludes Gasket Height)
Operating Temperature	-45°C ~ +85°C
Storage Temperature	-50°C ~ +85°C
Ingression Protection	IP67
Installation Torque	5.43~8.14 Nm

MATERIAL: N/A		THIRD ANGLE PROJECTION			
FINISH: N/A					
APPROVALS		DATE	DO NOT SCALE DRAWING		
DRAWN BY	TP CHEE	8 MAY 13	INTERPRET DIMENSIONING AND TOLERANCING IN ACCORDANCE WITH ASME Y14.5M-2009		
ELEC. ENG.			TOLERANCES UNLESS OTHERWISE SPECIFIED		
MECH. ENG.	TP CHEE	8 MAY 13	DIMENSIONS ARE IN MILLIMETERS		
MFG./OPS.			ANGLE: ±30' 0 PLACE DECIMAL: ±0.5 1 PLACE DECIMAL: ±0.25 2 PLACE DECIMAL: ±0.13 SURFACE ROUGHNESS 1.6/√		
TITLE:		SIZE		DWG. NO.	
MOUNTING & OUTLINE		A3		UTRA4061S2NMO	
REV		SCALE: 1:2		PREVIOUS#	
F01					
SHEET 1 OF 1					

THIS DRAWING IS UNPUBLISHED.

RELEASED FOR PUBLICATION

© Copyright 2022 TE Connectivity Ltd.

ALL RIGHTS RESERVED.

单击下面可查看定价，库存，交付和生命周期等信息

[>>TE Connectivity\(泰科\)](#)