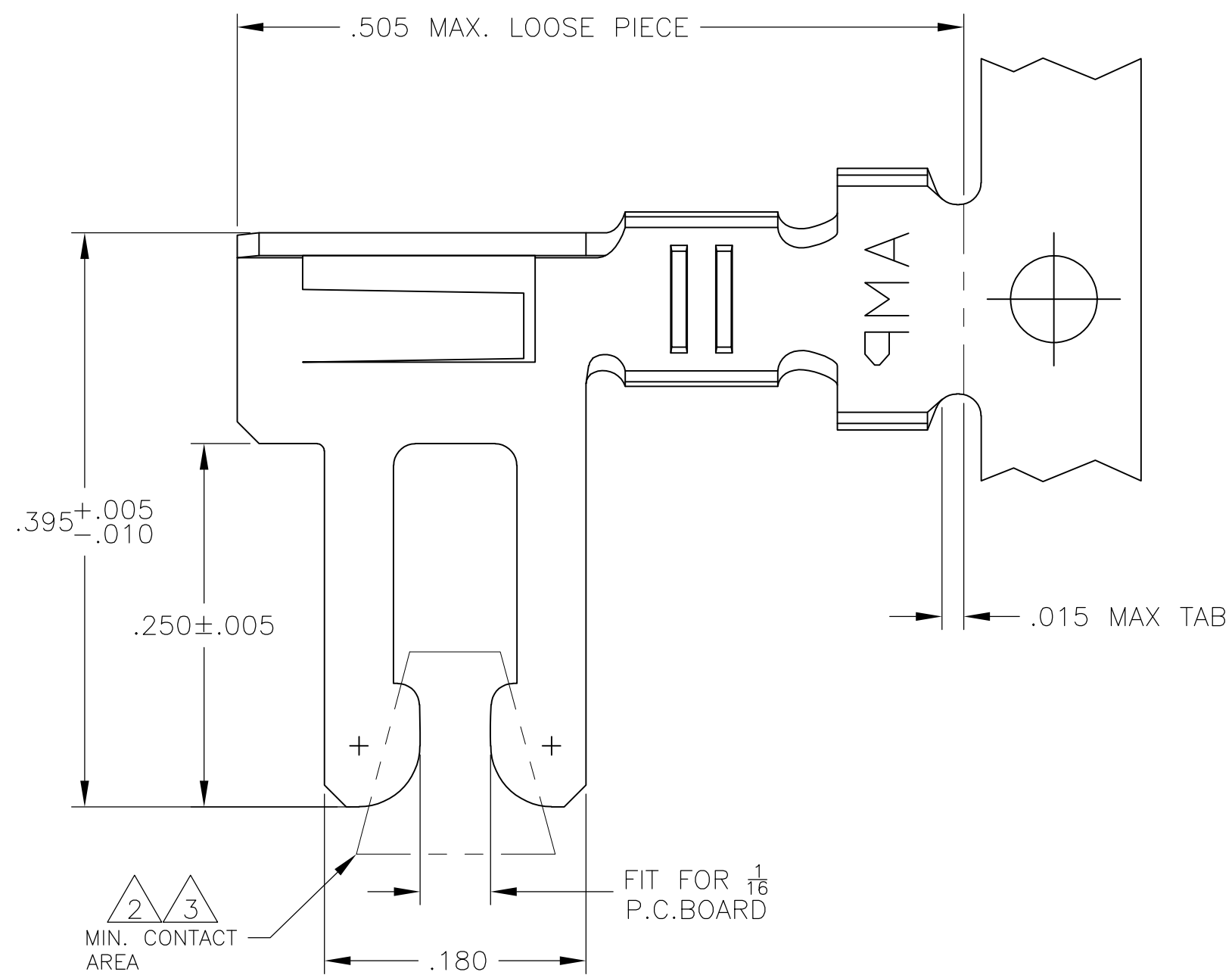
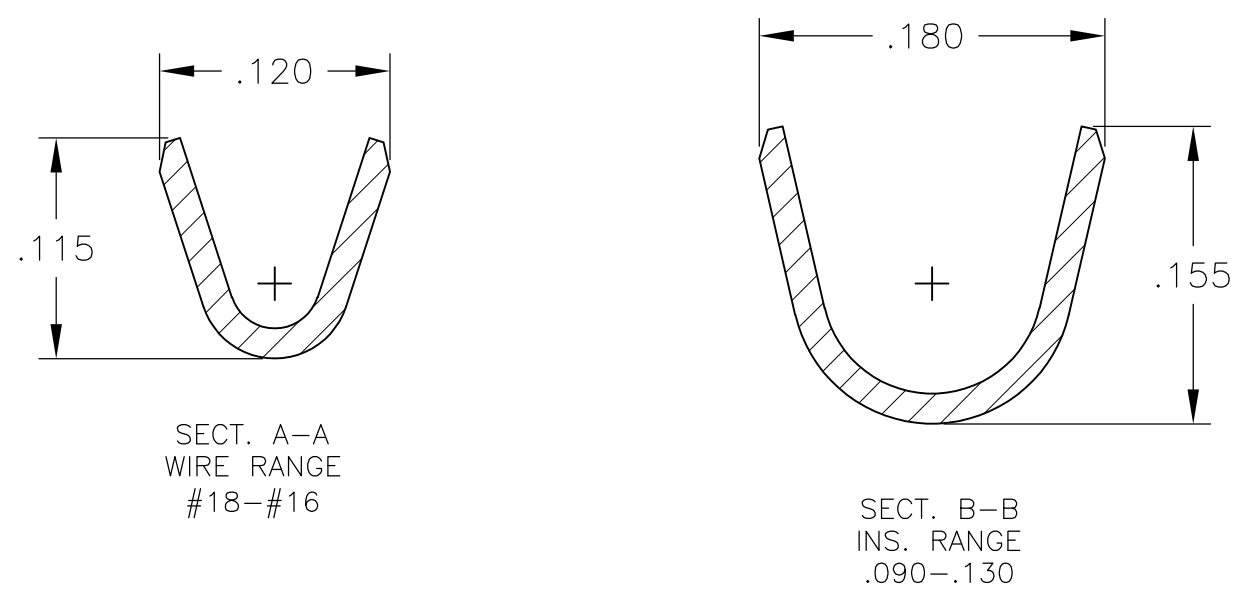
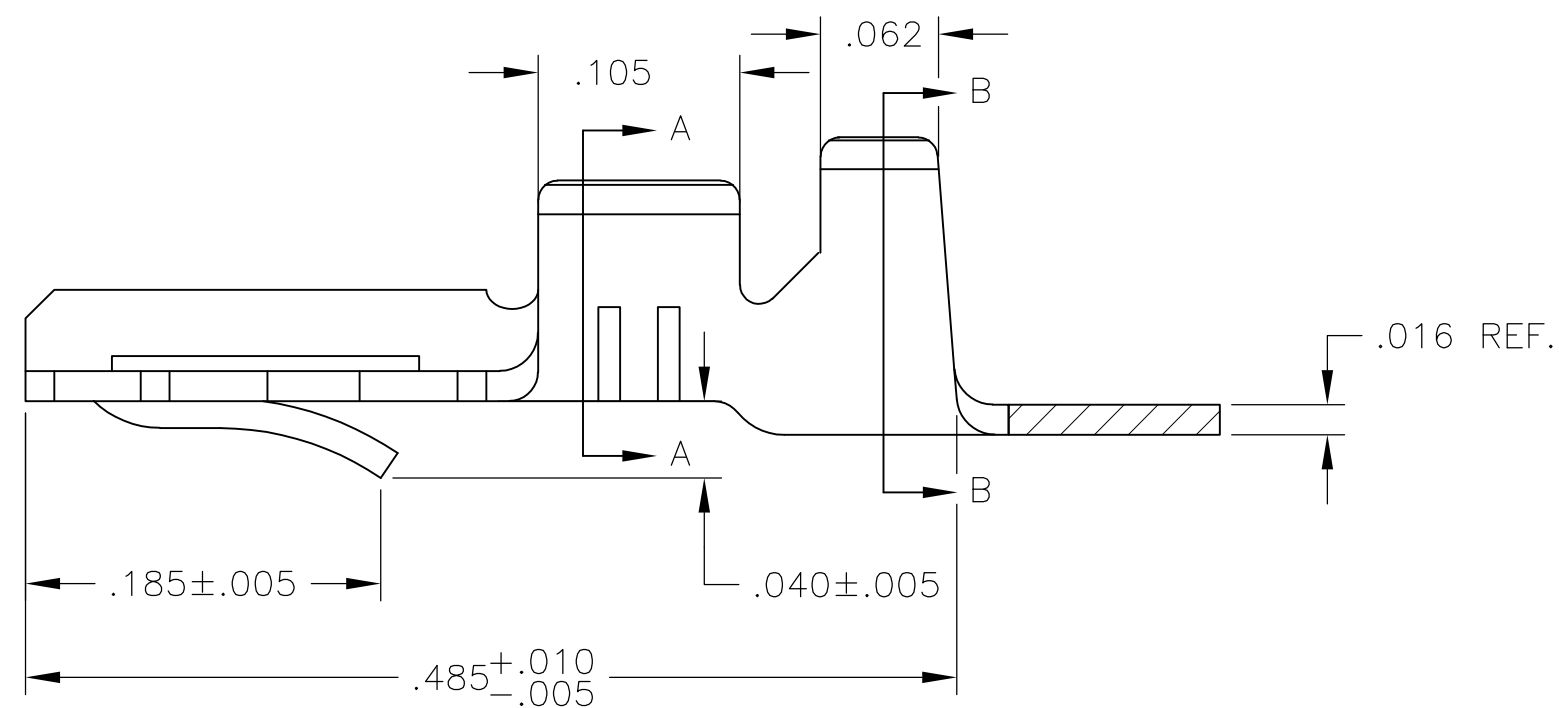


THIS DRAWING IS UNPUBLISHED. RELEASED FOR PUBLICATION
 © COPYRIGHT BY TYCO ELECTRONICS CORPORATION. ALL RIGHTS RESERVED.

LOC	DIST	REVISIONS			
P	LTR	DESCRIPTION	DATE	DWN	APVD
AD	00	M	ECO-07-10819	09MAY07	MB MM



- △1 TO BE USED IN HOUSING WITH INSULATION CAVITY SIZE OF .128x.155
- △2 .000030 GOLD OVER .000050 NICKEL IN CONTACT AREA .000050 NICKEL ON REMAINDER OF CONTACT.
- △3 .000015 GOLD OVER .000050 NICKEL IN CONTACT AREA REMAINDER OF CONTACT .000050 NICKEL.



OBSOLETE				
5-530501-5	5-530502-1	TIN PLATE OVER NICKEL	PHOS. BRONZE	-
OBSOLETE	530501-7	530502-3	△3 PHOS. BRONZE	530501-4
OBSOLETE	530501-6	530502-2	△2 PHOS. BRONZE	530501-3
530501-5	530502-1	TIN/LEAD PL OVER NICKEL	PHOS. BRONZE	530501-2
L.R FEED FOR MINI-APPL.	L.P.NO.REF.	FINISH	MATERIAL	STRIP P/N, R-L FEED STD. REELING

THIS DRAWING IS A CONTROLLED DOCUMENT.		DWN -	Tyco Electronics Corporation Harrisburg, Pa 17105-3608	
DIMENSIONS: INCHES	TOLERANCES UNLESS OTHERWISE SPECIFIED:	CHK M MILLER	APVD M MILLER	NAME DUO-TYNE FLAG CONTACT 18-16 AWG, WIRE
	0 PLC ± -	PRODUCT SPEC	APPLICATION SPEC	RESTRICTED TO
	1 PLC ± -	SIZE	CAGE CODE	DRAWING NO
	2 PLC ± .010	WEIGHT	SCALE	SHEET
	3 PLC ± -	CUSTOMER DRAWING	SCALE 10:1	SHEET 1 OF 1
MATERIAL SEE TABLE	FINISH SEE TABLE	WEIGHT -	SIZE A2	CAGE CODE 00779
		FINISH	DRAWING NO C=530501	REV M

单击下面可查看定价，库存，交付和生命周期等信息

[>>TE Connectivity\(泰科\)](#)