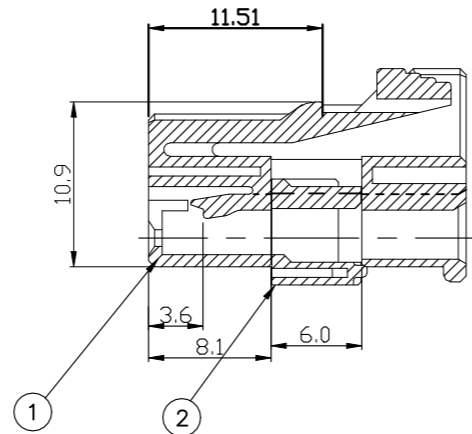
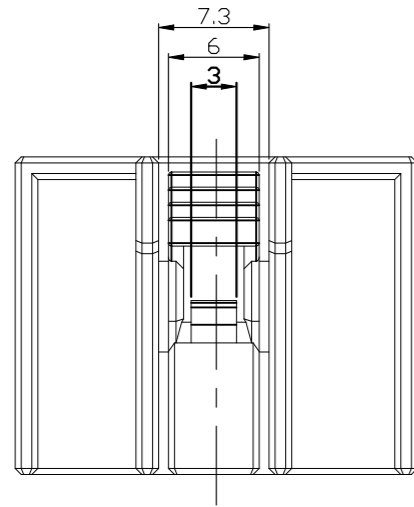
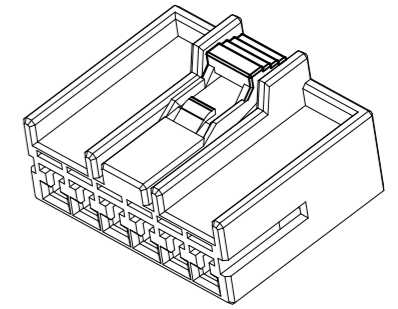
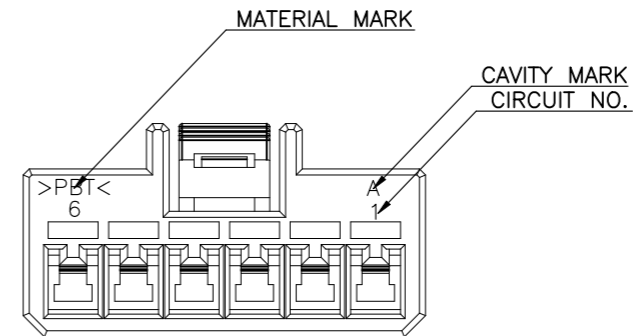
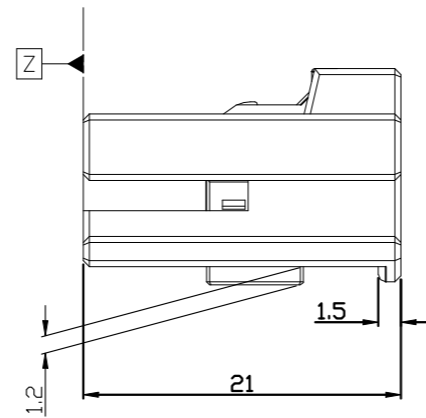
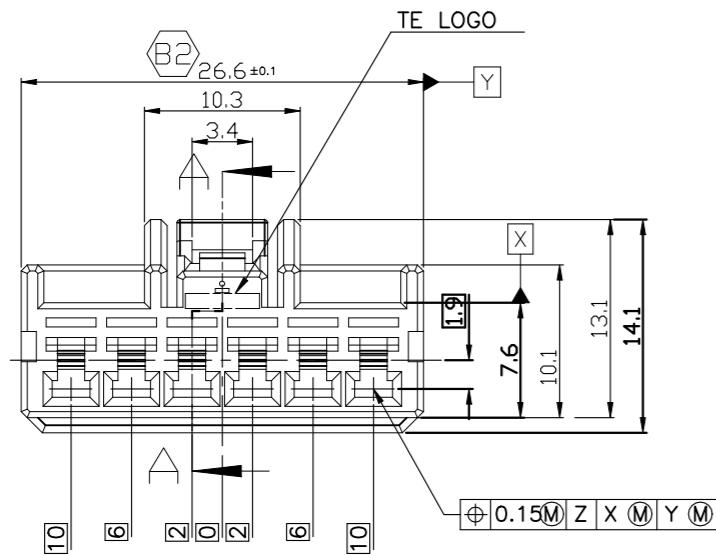


P	LTR	DESCRIPTION	DATE	DWN	APVD
B2		REVISED(ECR-21-107825)	22JUL2021	DH	YJ



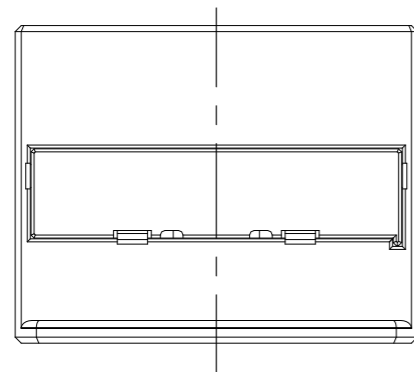
SECTION A - A

1. THE MATING HSG. P/N ; 936240
2. APPLIED CONTACT P/N ;
090 II REC. - 368083, 368084, 368085
090 III REC. - 1743654, 1743655, 1743656, 1897753, 1897598
3. GENERAL TOLERANCES
0 <XX<10 ± 0.2
10<XX<30 ± 0.25
30<XX ± 0.3
ANGLES ± 3°



NO	COLOR	MATERIAL	DESCRIPTION	P/N	QTY
1	BLUE	PBT	PLUG	0-936231-8	1
	YELLOW	PBT	PLUG	0-936231-5	1
	BROWN	PBT	PLUG	0-936231-4	1
	D/GRAY	PBT	PLUG	0-936231-3	1
	BLACK	PBT	PLUG	0-936231-2	1
2	NATURAL	PBT	PLUG	0-936231-1	1
2	NATURAL	PBT	DBL	0-936094-1	1 1 1 1 1 1

ASSY P/N
0-936230-8
0-936230-5
0-936230-4
0-936230-3
0-936230-2
0-936230-1



THIS DRAWING IS A CONTROLLED DOCUMENT.		DWN KT JUNG		TE Connectivity	
DIMENSIONS: mm		CHK HG CHO			
TOLERANCES UNLESS OTHERWISE SPECIFIED:		APVD JW JUNG		NAME 090III 6P PLUG ASS'Y (1ROW)	
0 PLC ± 1 PLC ± 2 PLC ± 3 PLC ± 4 PLC ± ANGLES ±		PRODUCT SPEC		APPLICATION SPEC	
MATERIAL SEE TABLE		FINISH -		WEIGHT 0	
		SIZE A3		CAGE CODE 00779	
		DRAWING NO C-936230		RESTRICTED TO -	
CUSTOMER DRAWING		SCALE 2:1		SHEET 1 OF 1	
				REV B2	

单击下面可查看定价，库存，交付和生命周期等信息

[>>TE Connectivity\(泰科\)](#)