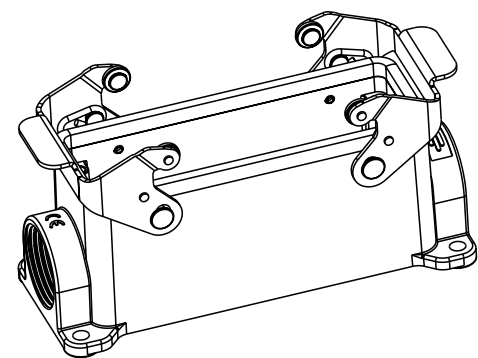
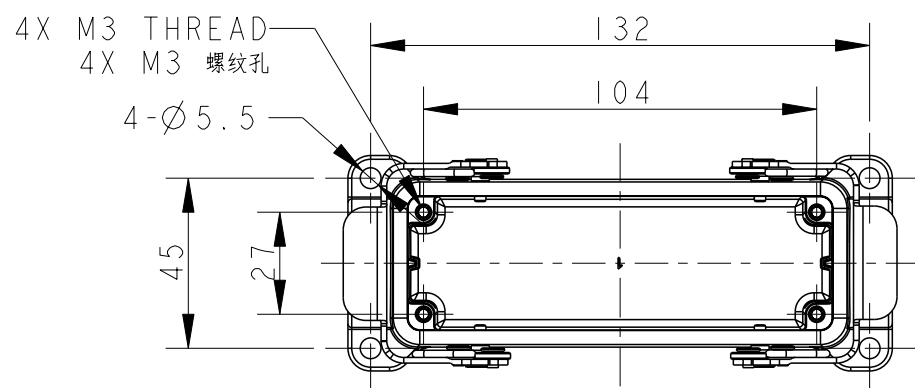
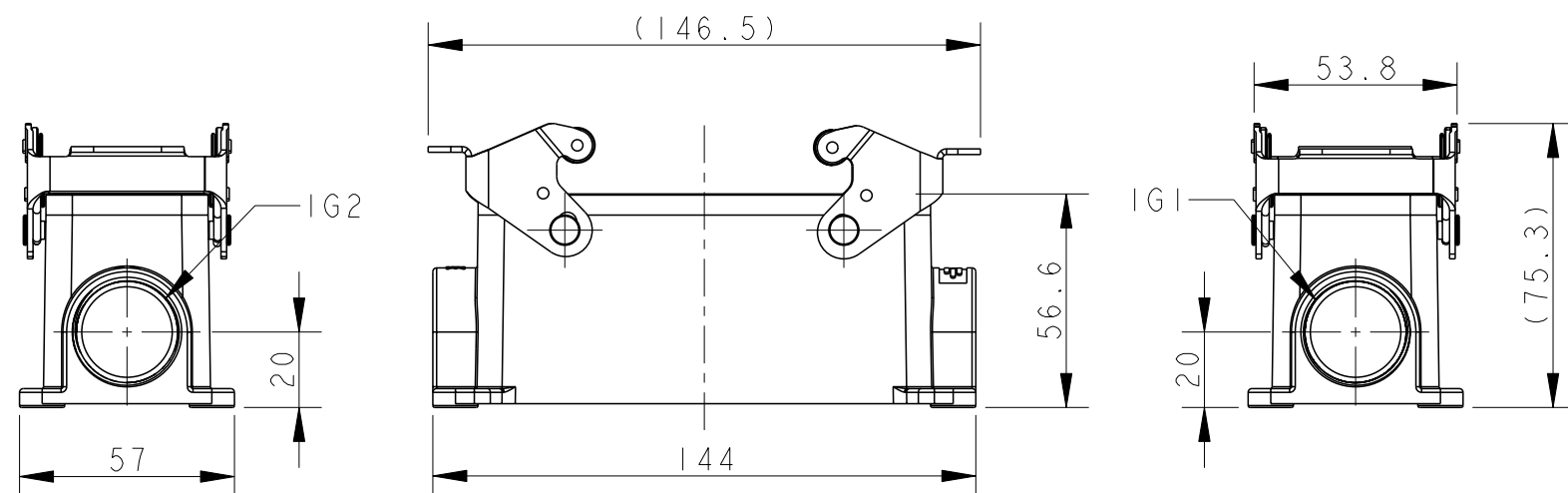
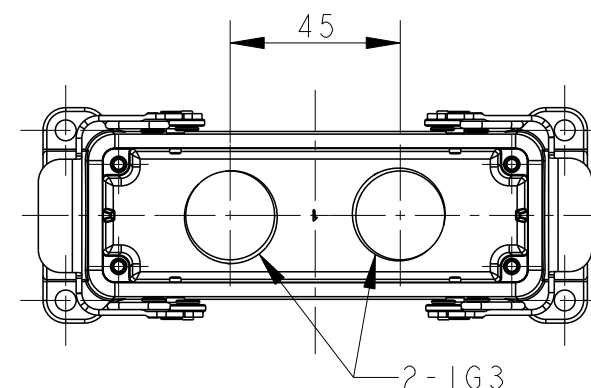


THIS DRAWING IS UNPUBLISHED. RELEASED FOR PUBLICATION 20  
 © COPYRIGHT 20 BY - ALL RIGHTS RESERVED.

REVISIONS					
P	LTR	DESCRIPTION	DATE	DWN	APVD
	A	INITIAL RELEASE	16JUN2015	DL	CW
	B	ECR-20-014876	16JUL2021	WQR	CW



SCALE 2:5



TYPE 1: BODY + STAINLESS STEEL LOCKING SIDE ENTRY

TYPE 2: BODY + STAINLESS STEEL LOCKING BOTTOM ENTRY  
 OTHER SPEC REFER TO TYPE 1

TI440241121-000	TYPE 1	H24B-SGRS-PG21	PG21	-	-
TI440241125-000		H24B-SGRS-M25	M25	-	-
TI440241221-000		H24B-SGRS-2PG21	PG21	PG21	-
TI440241225-000		H24B-SGRS-2M25	M25	M25	-
TI440245225-000	TYPE 2	H24B-SGRS-T2M25	-	-	M25
ASSEMBLY PART NUMBER	TYPE	ASSEMBLY PART DESCRIPTION	IG1	IG2	IG3

NOTES:

1. TECHNICAL CHARACTERISTICS:  
 BODY MATERIAL: DIE CAST ALUMINIUM ALLOY  
 SURFACE TREATMENT: POWDER-COATED, GRAY  
 DEGREE OF PROTECTION: IP65 (MATED)

注释:

1. 技术参数:  
 主体材料: 铝合金  
 表面处理: 粉末喷涂, 灰色  
 防护等级: IP65(配合)

DIMENSIONS:		TOLERANCES UNLESS OTHERWISE SPECIFIED:	
mm		0 PLC	±-
		1 PLC	±-
		2 PLC	±-
		3 PLC	±-
		4 PLC	±-
		ANGLES	±-
MATERIAL	FINISH		
-	-		

THIS DRAWING IS A CONTROLLED DOCUMENT.	DWN 16JUN2015
	DAVID LI
	CHK 16JUN2015
	CHRIS WANG
	APVD 16JUN2015
	XU XIANG
	PRODUCT SPEC
	108-137013
	APPLICATION SPEC
	114-137013
	WEIGHT
	-
CUSTOMER DRAWING	

TE Connectivity		NAME	
		H24B-SGR/SGRS-PG/M	
SIZE	CAGE CODE	DRAWING NO	RESTRICTED TO
A3	-	©-TI44024XXXXX00	
SCALE		SHEET	REV
1:2		1 OF 2	B

printed on 20 Jul 2021 16:15 (China Standard Time) from TE343646

A

A

D

D

C

B

THIS DRAWING IS UNPUBLISHED.

RELEASED FOR PUBLICATION

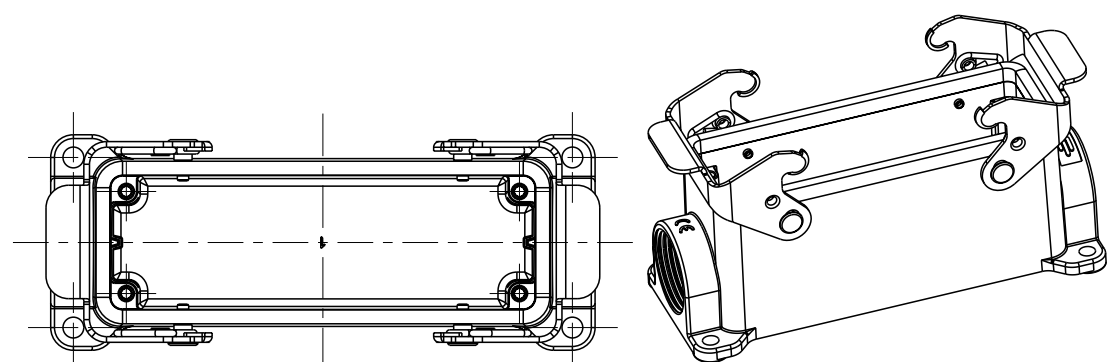
20

© COPYRIGHT 20 BY -

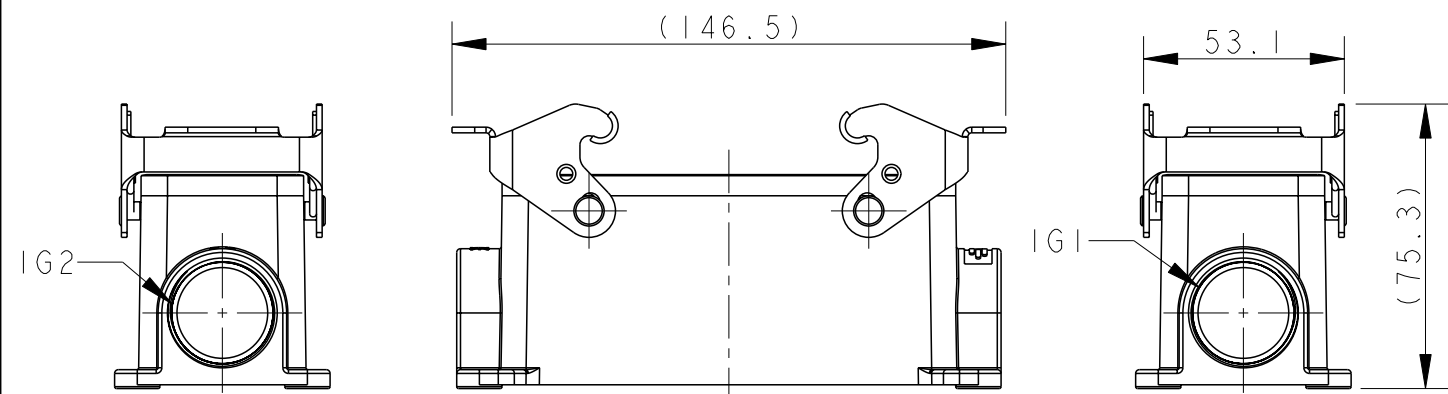
ALL RIGHTS RESERVED.

REVISIONS

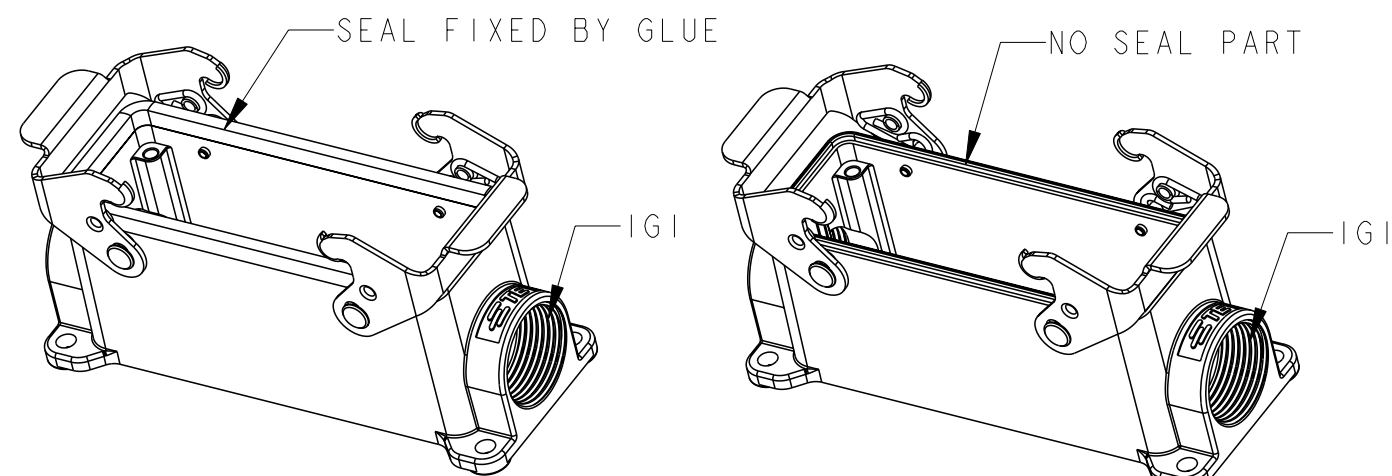
P	LTR	DESCRIPTION	DATE	DWN	APVD
-	-	SEE SHEET 1	-	-	-



SCALE 2:5



TYPE 3: BODY + STEEL LOCKING  
SIDE ENTRY  
OTHER SPEC REFER TO TYPE 1

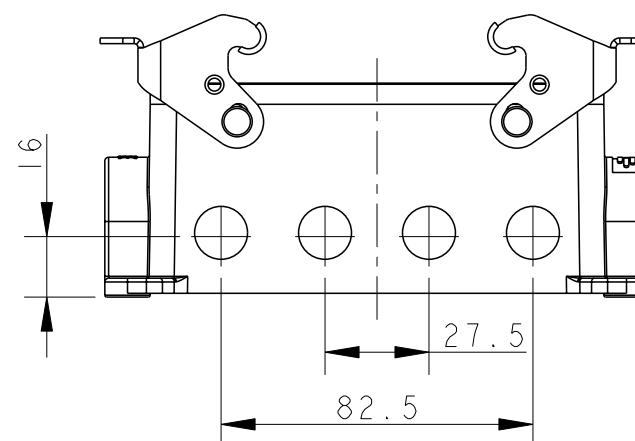


TYPE 4: BODY + STEEL LOCKING  
SIDE ENTRY  
OTHER SPEC REFER TO TYPE 3

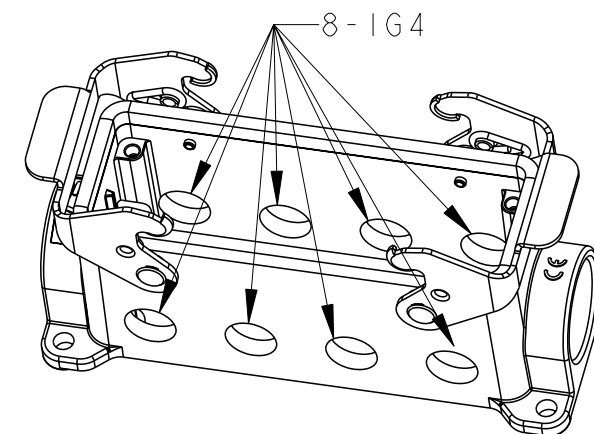
TYPE 5: BODY + STEEL LOCKING  
SIDE ENTRY  
OTHER SPEC REFER TO TYPE 3

T1440242121-000		H24B-SGR-PG21	PG21	-	-	
T1440242125-000		H24B-SGR-M25	M25	-	-	
T1440242221-000	TYPE 3	H24B-SGR-2PG21	PG21	PG21	-	
T1440242225-000		H24B-SGR-2M25	M25	M25	-	
T1440242521-000		H24B-SGR-M25/PG21	M25	PG21	-	
T1440242125-100	TYPE 4	H24B-SGR-M25	M25	-	-	SEAL FIXED BY GLUE
T1440242125-200	TYPE 5	H24B-SGR-M25	M25	-	-	NO SEAL PART
T1440242809-000	TYPE 6	H24B-SGR-8PG9	-	-	PG9	
ASSEMBLY PART NUMBER	TYPE	ASSEMBLY PART DESCRIPTION	IG1	IG2	IG4	REMARK

TABLE: TYPE DESCRIPTION



TYPE 6: BODY + STEEL LOCKING  
FRONT & BACK ENTRY  
OTHER SPEC REFER TO TYPE 3



THIS DRAWING IS A CONTROLLED DOCUMENT.

DIMENSIONS:	TOLERANCES UNLESS OTHERWISE SPECIFIED:
mm	
	±
	±
	±
	±
	±
ANGLES	±
MATERIAL	FINISH
-	-
-	-

DWN	16JUN2015
DAVID LI	
CHK	16JUN2015
CHRIS WANG	
APVD	16JUN2015
XU XIANG	
PRODUCT SPEC	108-137013
APPLICATION SPEC	114-137013
WEIGHT	-
CUSTOMER DRAWING	



NAME		H24B-SGR/SGRS-PG/M	
SIZE	CAGE CODE	DRAWING NO	RESTRICTED TO
A3	-	C-T144024XXXXX00	
SCALE		SHEET	REV
1:2		2 OF 2	B

Printed on 20 Jul 2021 16:15 (China Standard Time) from TE343646

单击下面可查看定价，库存，交付和生命周期等信息

[>>TE Connectivity\(泰科\)](#)