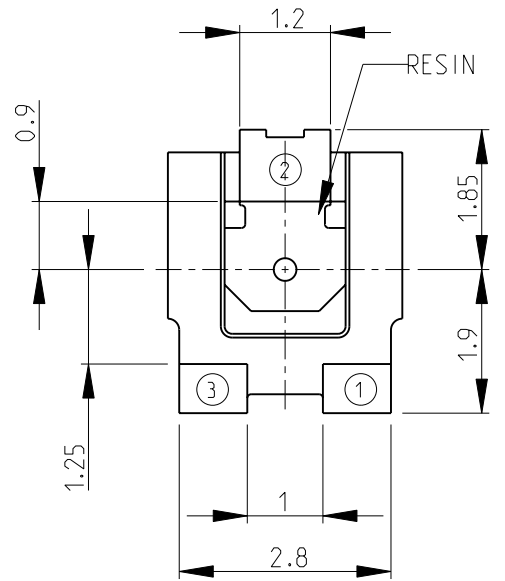
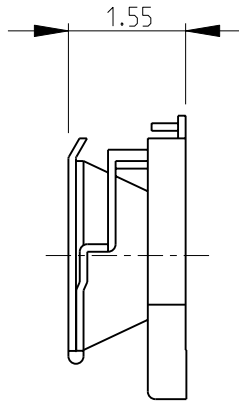
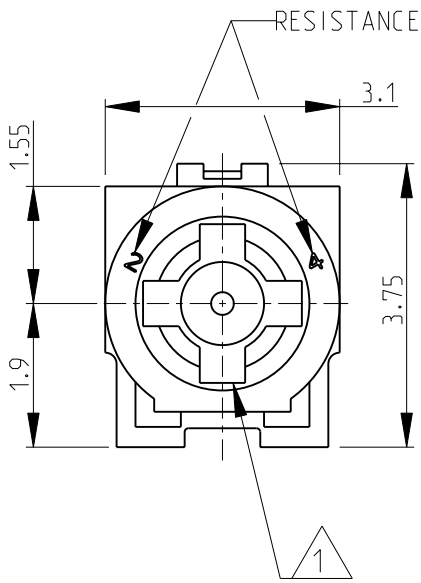
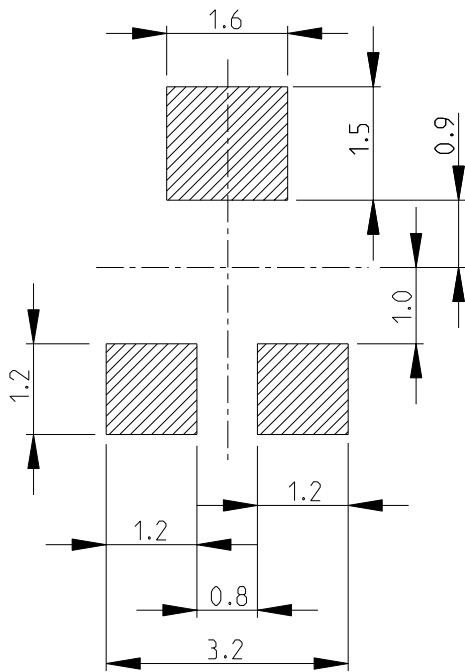


LOC	DIST	REVISIONS					
E	B	P	LTR	DESCRIPTION	DATE	DWN	APVD
		A		NEW RELEASE	05-Aug-08	SM	St.P

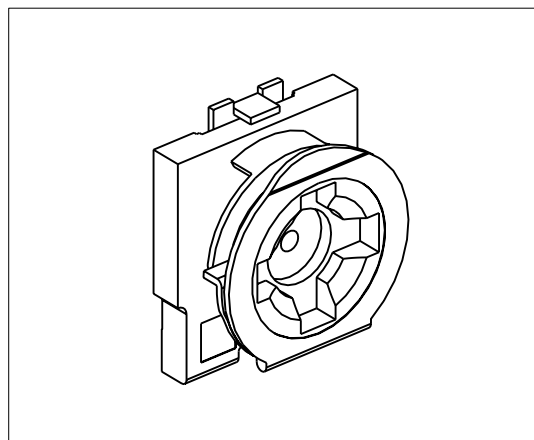


RECOMMENDED LAND PATTERN



- 1 DRIVER SLOT: Width-0.6, length-2.1, Depth-0.4
- 2 FOR FURTHER INFORMATION SEE DATA SHEET FOR 3130 SERIES-SMD ECONOMY TRIMMERS

RoHS Compliant



2008
RELEASED FOR PUBLICATION
THIS DRAWING IS UNPUBLISHED.
COPYRIGHT 2008 BY TYCO ELECTRONICS CORPORATION. ALL RIGHTS RESERVED.

DIMENSIONS:	DWN	05-Aug-08	MATERIAL	FINISH
mm	SUBHASH		-	-
TOLERANCES UNLESS OTHERWISE SPECIFIED:	CHK	05-Aug-08	Tyco Electronics Corporation Dorcan, Swindon, SN3 5HH	
0 PLC ±0.5	PRAKASH			
1 PLC ±0.2	APVD	05-Aug-08	NAME SMD ECONOMY TRIMMERS SERIES 3130W	
2 PLC ±0.1	STEPHEN.P			
3 PLC ±-	PRODUCT SPEC		SIZE	CAGE CODE
4 PLC ±-			A 4	00779
ANGLES ±5	APPLICATION SPEC		DRAWING NO	RESTRICTED TO
			© = 1623922	-
	WEIGHT		CUSTOMER DRAWING	
			SCALE	10:1
			SHEET	1 OF 1
			REV	A

单击下面可查看定价，库存，交付和生命周期等信息

[>>TE Connectivity\(泰科\)](#)