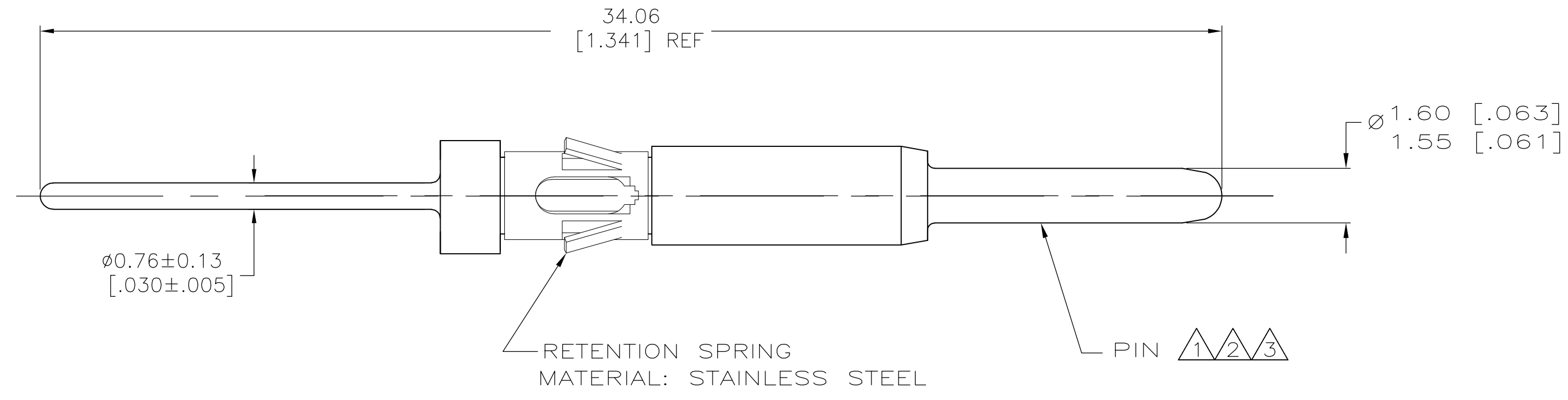


THIS DRAWING IS UNPUBLISHED. RELEASED FOR PUBLICATION  
 © COPYRIGHT - BY TYCO ELECTRONICS CORPORATION. ALL RIGHTS RESERVED.

LOC	DIST	REVISIONS			
P	LTR	DESCRIPTION	DATE	DWN	APVD
FT	0	A	REVISED PER ECO-07-026401	11/7/07	SS SH

- ① MATERIAL: COPPER ALLOY
- ② FINISH: 200μINCH MIN SILVER OVER 50 μINCH MIN NICKEL
- ③ FINISH: 30 μINCH MIN GOLD AT TIP, GOLD FLASH ON REMAINDER, ALL OVER 50 μINCH MIN NICKEL



PRELIMINARY	③	194264-7
	②	194264-1
	FINISH	PART NO

THIS DRAWING IS A CONTROLLED DOCUMENT.		DWN D.A.PUERNER	22/SEP/97	Tyco Electronics Corporation Harrisburg, PA 17105-3608													
DIMENSIONS: mm [INCHES]		CHK	-	NAME PIN, .062 DIA, HIGH CURRENT TYPE II/111+													
TOLERANCES UNLESS OTHERWISE SPECIFIED:		APVD	-	PRODUCT SPEC													
<table border="0"> <tr><td>0 PLC</td><td>± -</td></tr> <tr><td>1 PLC</td><td>± -</td></tr> <tr><td>2 PLC</td><td>± -</td></tr> <tr><td>3 PLC</td><td>± -</td></tr> <tr><td>4 PLC</td><td>± -</td></tr> <tr><td>ANGLES</td><td>± -</td></tr> </table>		0 PLC	± -	1 PLC	± -	2 PLC	± -	3 PLC	± -	4 PLC	± -	ANGLES	± -	APPLICATION SPEC		RESTRICTED TO	
0 PLC	± -																
1 PLC	± -																
2 PLC	± -																
3 PLC	± -																
4 PLC	± -																
ANGLES	± -																
MATERIAL	FINISH	WEIGHT	-	SIZE	CAGE CODE												
- ①	SEE TABLE			A3	00779												
CUSTOMER DRAWING			SCALE	DRAWING NO	REV												
			NONE	C-194264	A												
			SHEET	1 OF 1													

单击下面可查看定价，库存，交付和生命周期等信息

[>>TE Connectivity\(泰科\)](#)