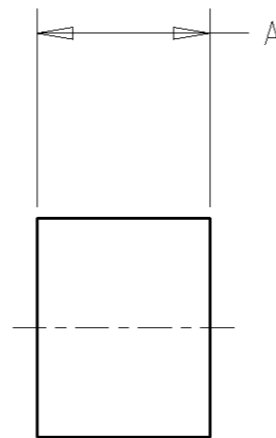
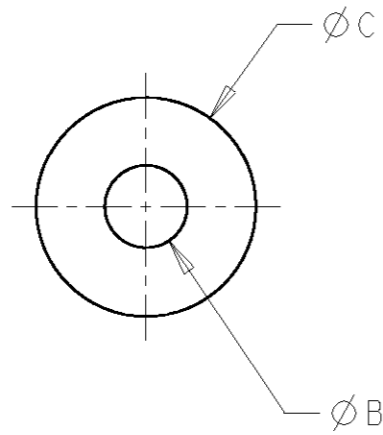
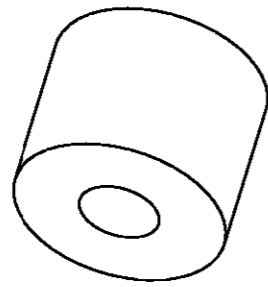


THIS DRAWING IS UNPUBLISHED. RELEASED FOR PUBLICATION 20
 © COPYRIGHT 20 BY TYCO ELECTRONICS CORPORATION. ALL RIGHTS RESERVED.

| LOC | DIST | REVISIONS | | | | | |
|-----|------|-----------|-----|----------------------|-----------|-----|------|
| | | P | LTR | DESCRIPTION | DATE | DWN | APVD |
| CE | 16 | | E | REV PER 0A00-0102-02 | 01FEB2002 | BB | LS |
| | | | F | REV PER 0A00-0559-02 | 24JUN2002 | JWD | SB |
| | | | G | REV PER 0A00-0587-03 | 14APR04 | KG | SB |



1 BULK PACKAGED 100 PCS PER BAG.
 2 MATERIAL: P/N 983633-1.

| | | | | | |
|----------|---|---------------|---------------|----------------|-------------|
| OBSOLETE | 1 | 3.18 [.125] | 1.57 [.062] | 19.00 [.75] | 1-502179-3 |
| OBSOLETE | 1 | 2.97 [.117] | 1.09 [.043] | 5.59 [.22] | 502179-9 |
| OBSOLETE | 1 | 2.97 [.117] | 1.09 [.043] | 36.58 [1.44] | 502179-8 |
| OBSOLETE | 1 | 2.97 [.117] | 1.09 [.043] | 8.89 [.35] | 502179-5 |
| OBSOLETE | | 2.97 [.117] | 1.09 [.043] | 24.40 [1.00] | 502179-4 |
| | | 2.97 [.117] | 1.09 [.043] | 8.89 [.35] | 502179-3 |
| OBSOLETE | | 2.97 [.117] | 1.09 [.043] | 11.43 [.45] | 502179-2 |
| OBSOLETE | | 2.97 [.117] | 1.09 [.043] | 2.24 [.09] | 502179-1 |
| | | ØC | ØB | A | PART NUMBER |

| | | | |
|---|---|--|---|
| <small>THIS DRAWING IS A CONTROLLED DOCUMENT FOR TYCO ELECTRONICS CORPORATION IT IS SUBJECT TO CHANGE AND THE CONTROLLING ENGINEERING ORGANIZATION SHOULD BE CONTACTED FOR THE LATEST REVISION.</small> | | DWN B. BRIGGS 31OCT2001 CHR L. SAUERWEIN 31OCT2001 APVD B. EDWARDS 31OCT2001 | AMP Tyco Electronics Harrisburg, PA 17105-3608 |
| DIMENSIONS: mm [INCHES] | TOLERANCES UNLESS OTHERWISE SPECIFIED: | PRODUCT SPEC APPLICATION SPEC WEIGHT | NAME TYGON TUBING |
| | 0 PLC ±- 1 PLC ±- 2 PLC ±- 3 PLC ±- 4 PLC ±- ANGLES ±- | CUSTOMER DRAWING | SIZE A3 CAGE CODE 00779 DRAWING NO C-502179 RESTRICTED TO - |
| MATERIAL - | FINISH - | SCALE 10:1 SHEET 1 OF 1 REV G | |

单击下面可查看定价，库存，交付和生命周期等信息

[>>TE Connectivity\(泰科\)](#)