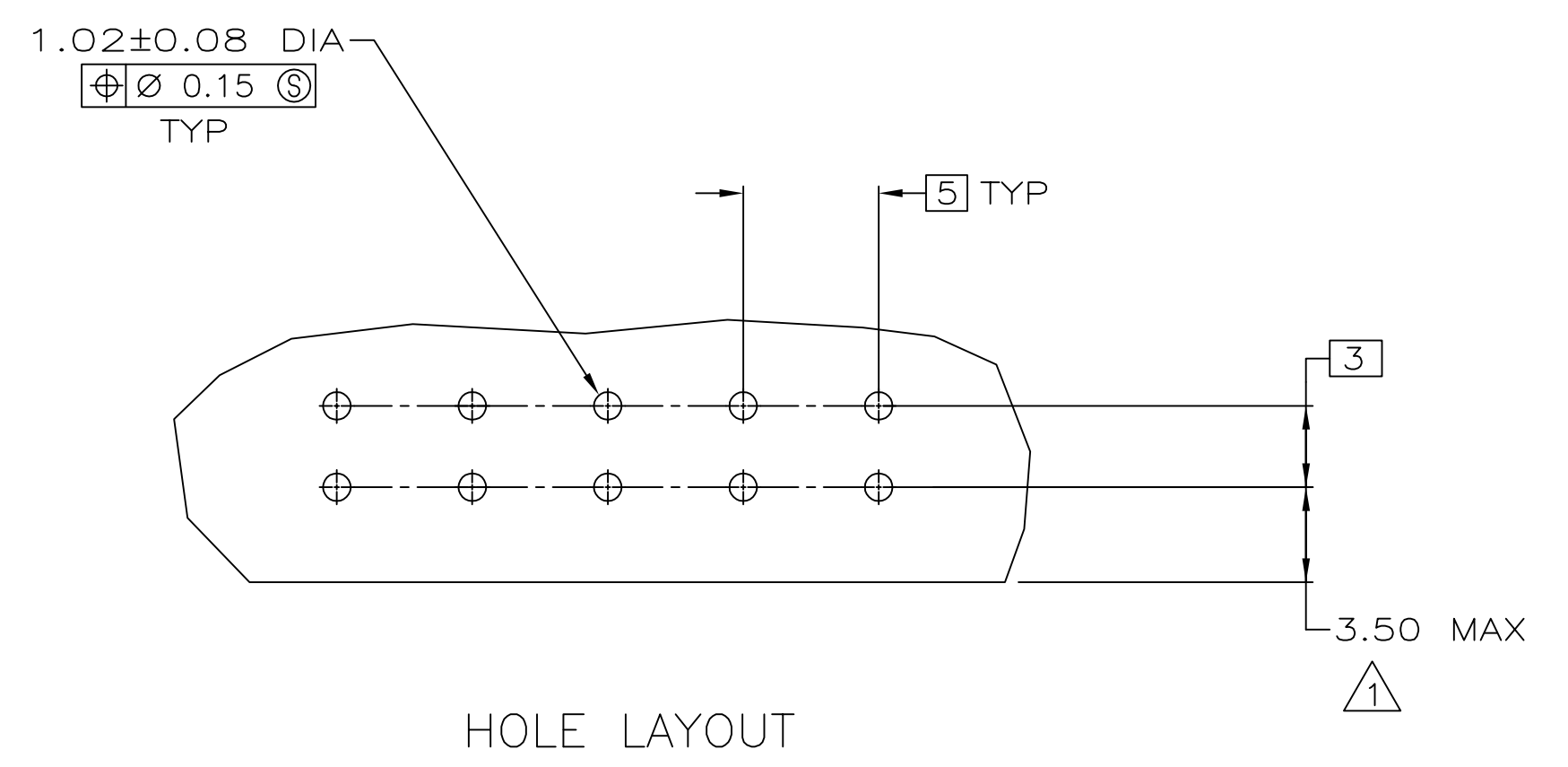
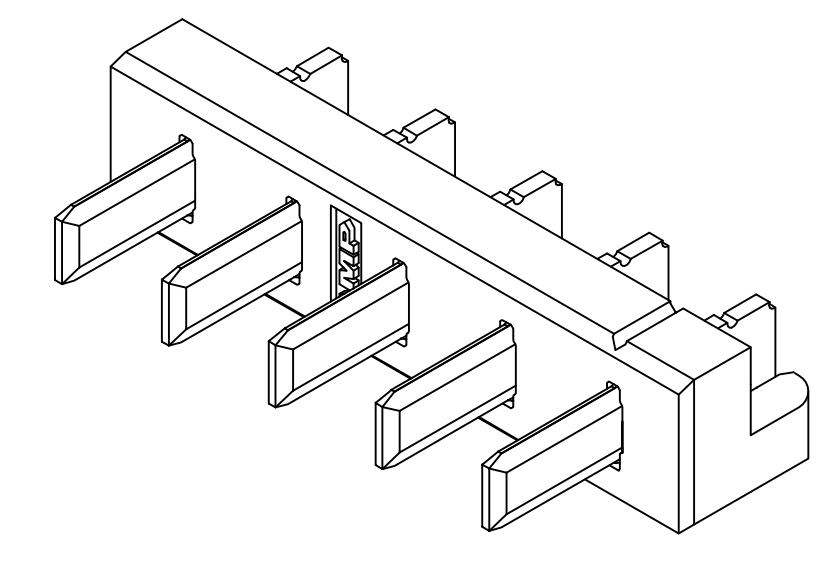
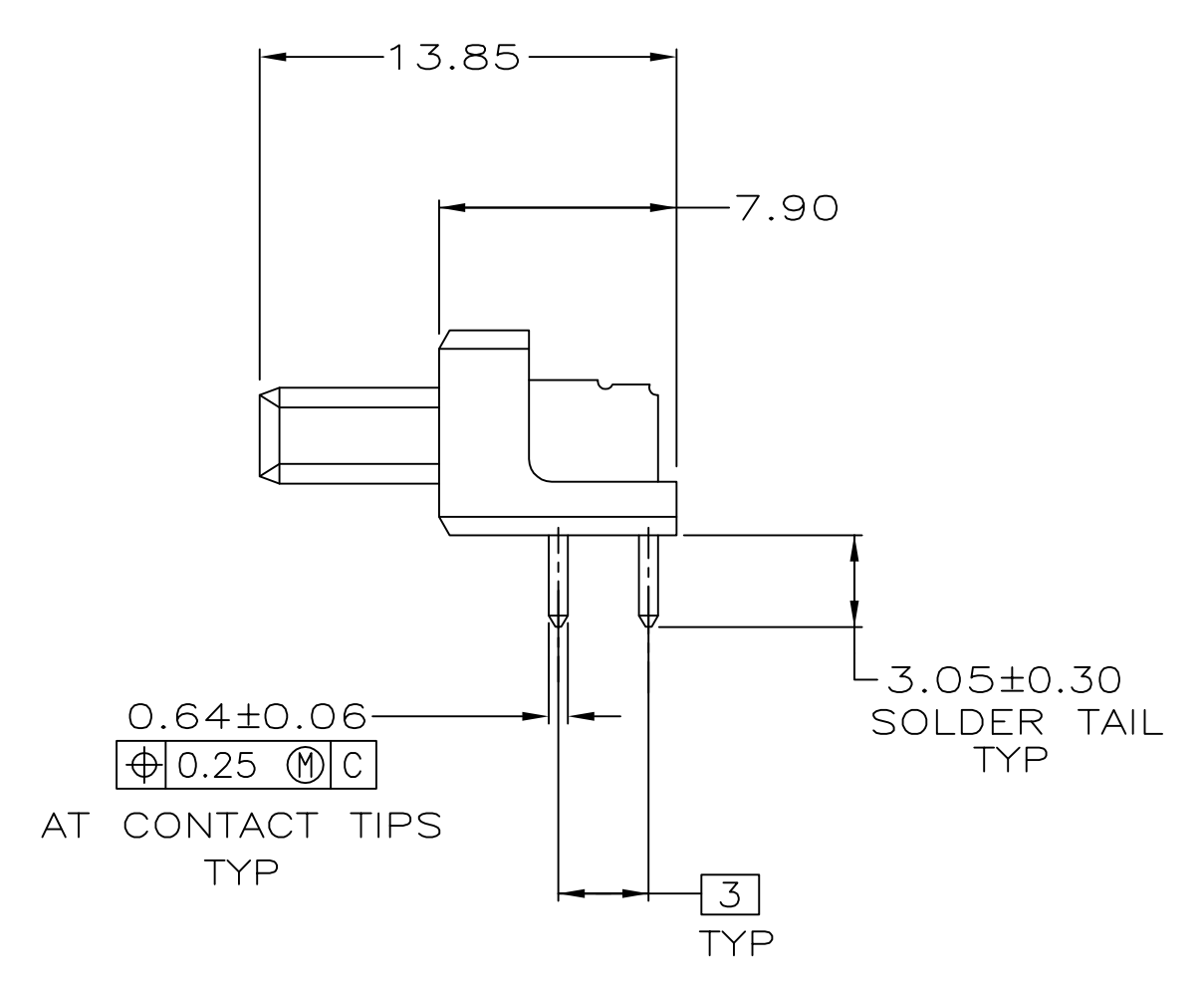
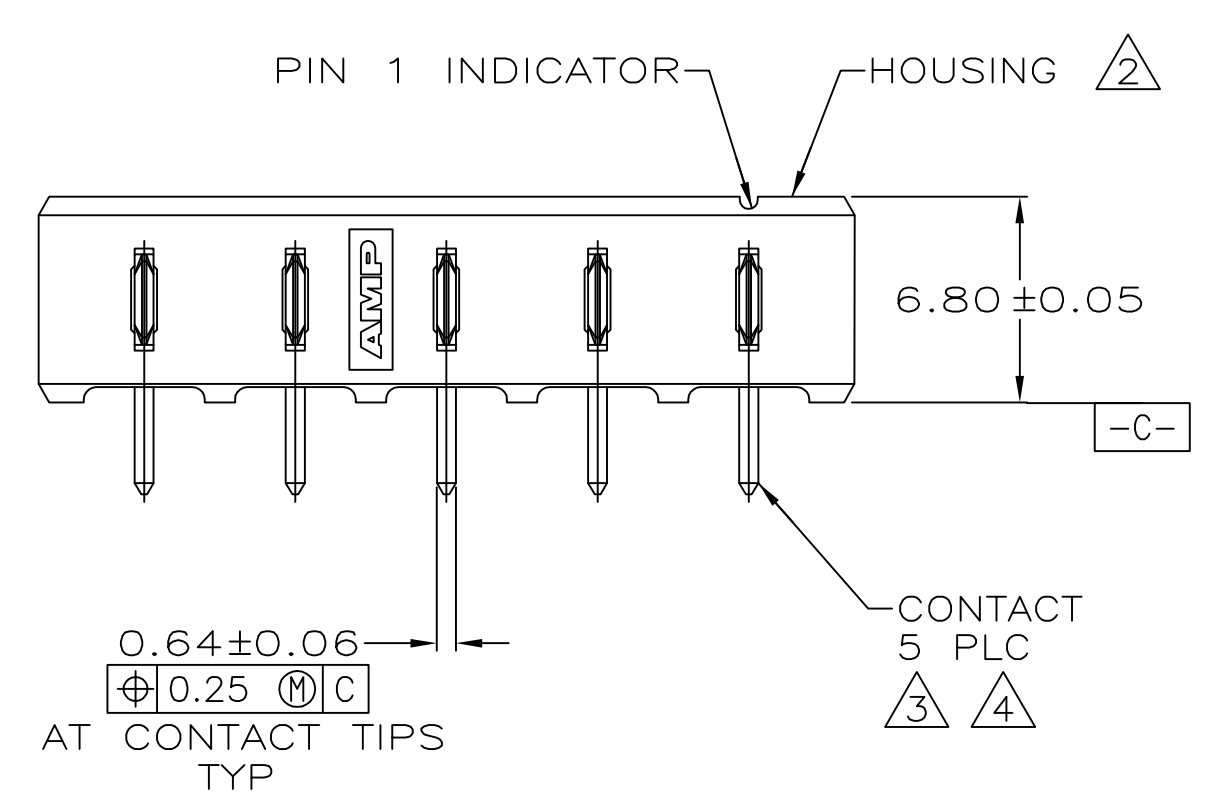
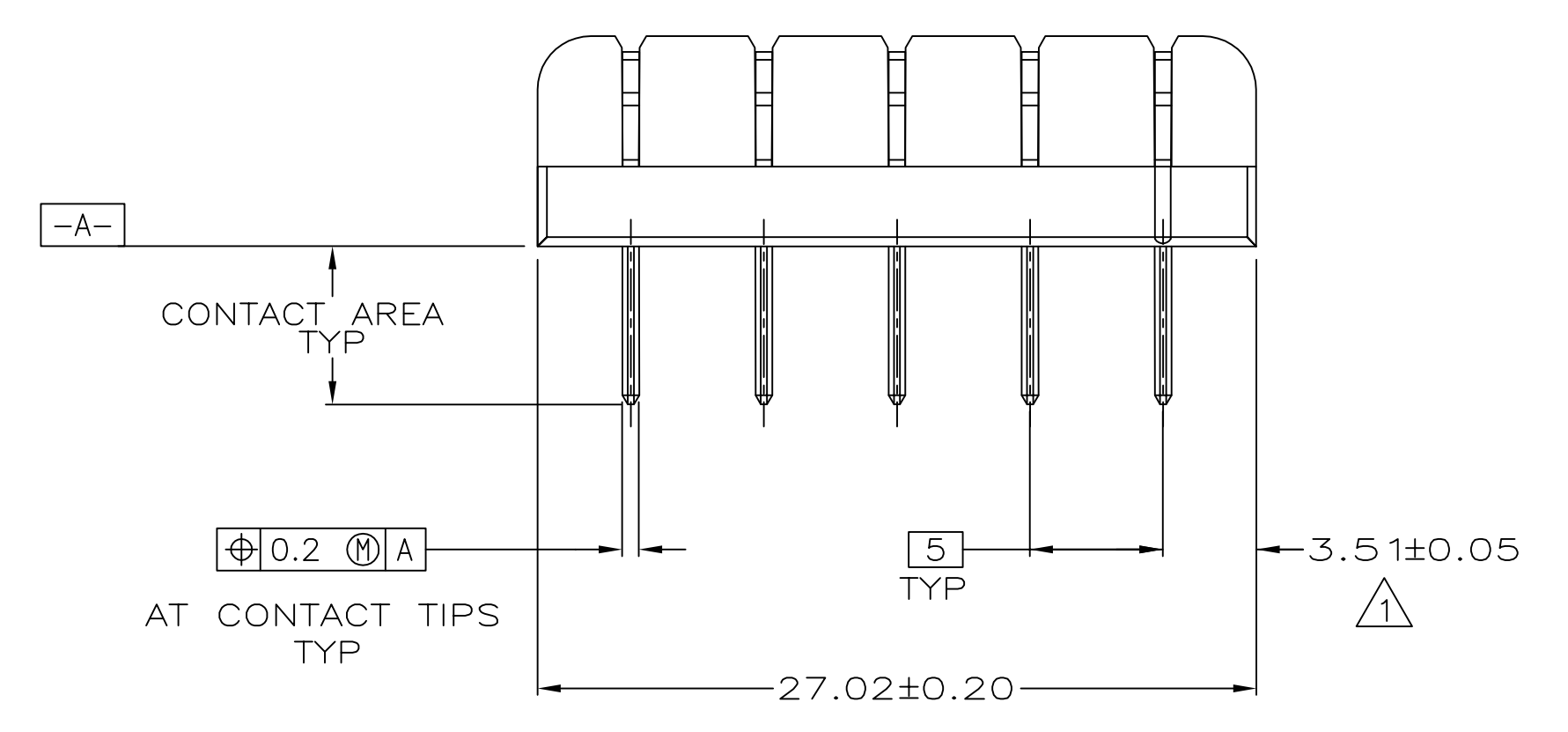


LOC		DIST		REVISIONS			
AD	39	P	LTR	DESCRIPTION	DATE	DWN	APVD
		0		RLSE -1 PER NPR 5307 WAS 95-2197-14-1	03-27-95	SK	SK
		A		REV PER EC 0020-0657-96	12/06/96	JR	RS
		A1		REVISED PER ECR-14-009533	07/07/14	AP	JHA

- △ COORDINATE DIMENSION APPLIES FROM CENTER OF ACTUAL FEATURE.
- △ LCP, BLACK
- △ 2.54µm MIN TIN-LEAD ON SOLDER TAIL OVER 1.90µm MIN NICKEL ALL OVER.
- △ CONTACTS: BRASS



SUPERCEDED BY 5787441-1      787441-1  
 PART NO

<small>THIS DRAWING IS A CONTROLLED DOCUMENT FOR AMP INCORPORATED. IT IS SUBJECT TO CHANGE AND THE CONTROLLING ENGINEERING ORGANIZATION SHOULD BE CONTACTED FOR THE LATEST REVISION.</small>		DWN S.KLINE	03-27-95	
		CHK S.KLINE	03-30-95	
DIMENSIONS: mm 		APVD S.KLINE	03-30-95	NAME
TOLERANCES UNLESS OTHERWISE SPECIFIED: 0 PLC ± 1 PLC ± 2 PLC ±0.13 3 PLC ± 4 PLC ± ANGLES ±		PRODUCT SPEC	108-1501	HEADER ASSEMBLY, RIGHT ANGLE, KEYLESS, 5mm $\phi$ , 5 POSN.
MATERIAL SEE CALLOUTS		APPLICATION SPEC	114-24005	STRAIGHT SOLDER TAILS, BATTERY INTERCONNECT
FINISH SEE CALLOUTS		WEIGHT	-	SIZE A1
		CUSTOMER DRAWING		CAGE CODE 000779
				DRAWING NO 787441
				SCALE 4:1
				SHEET 1 OF 1
				REV A1

单击下面可查看定价，库存，交付和生命周期等信息

[>>TE Connectivity\(泰科\)](#)