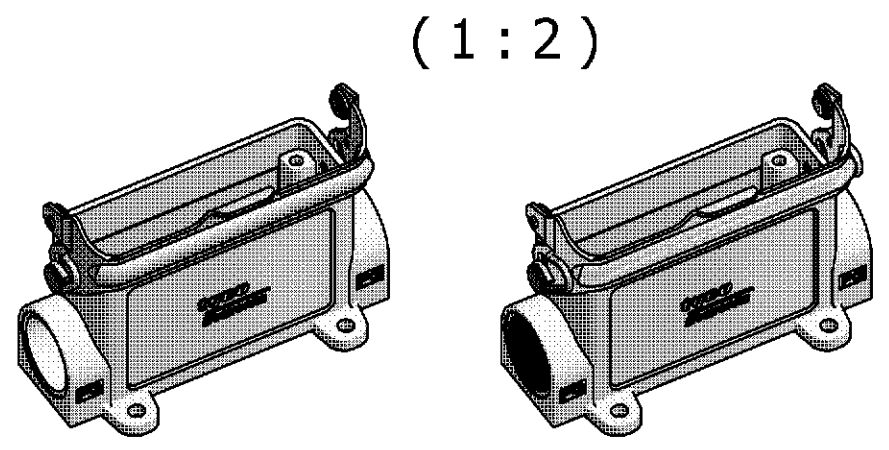
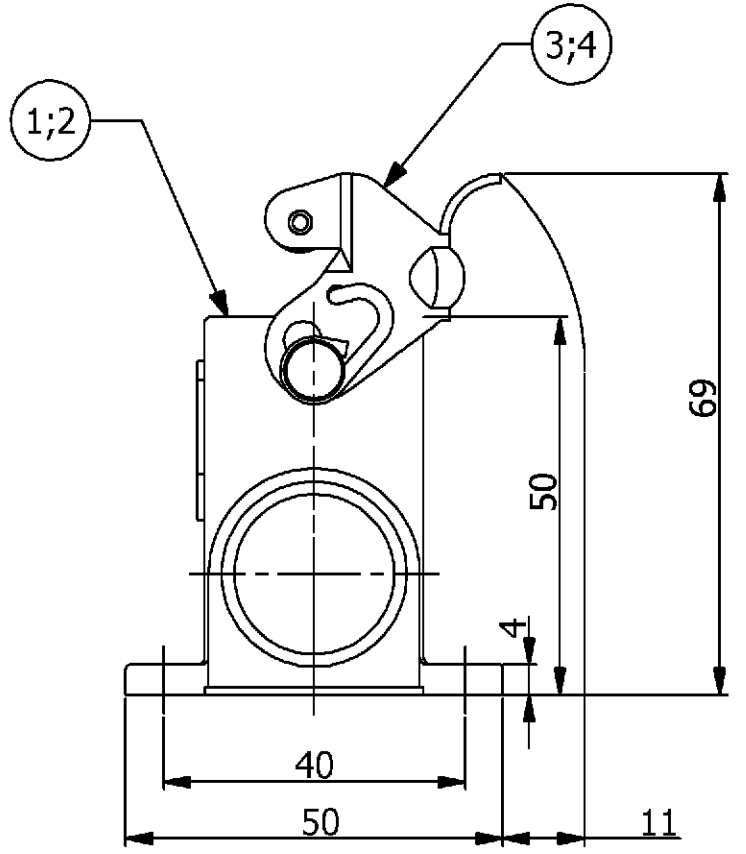
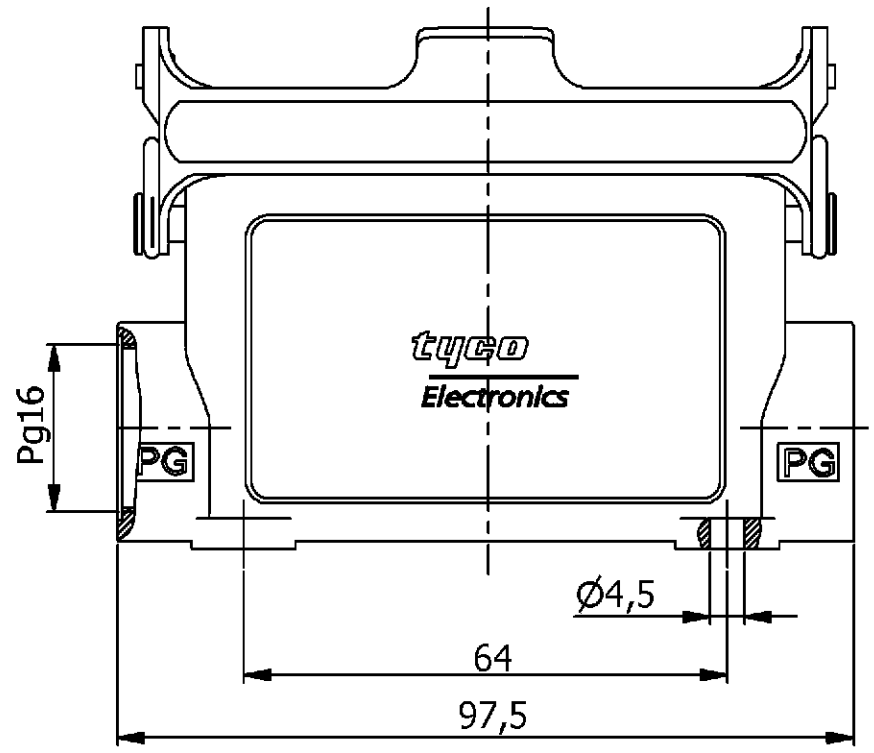


NOTES

- 1 PACKAGING QUANTITY: 5 PIECES PER BOX
- 2 MATERIAL: HOUSING: ALUMINIUM DIECASTING ALLOY
- 3 FINISH: VARNISH GREY
POWDER COATED
- 4 VARNISH ON THE INSIDE NOT NECESSARY



OBSOLETE

QTY	REV	REV	REV	DESCRIPTION	MATERIAL	SURFACE	COLOR	ITEM NO.	REMARKS
				- Side Clip	V2A	Blank	-	4	-
				1 Side Clip	Steel	Zinc Plated	Blue	3	-
				- Surface Mounted Housing HA.16.1.Pg16	Aluminium	-	No varnish	2	-
				1 Surface Mounted Housing HA.16.1.Pg16	Aluminium	-	Grey	1	-
ORDERING TEXT									
HA.16.SG-LB.1.16.Z									
HA.16.SG-LB.1.16.Z									
HA.16.SG-LB.2.16.Z									

THIS DRAWING IS A CONTROLLED DOCUMENT FOR AMP INCORPORATED. IT IS SUBJECT TO CHANGE AND THE CONTROLLING ENGINEERING ORGANIZATION SHOULD BE CONTACTED FOR THE LATEST REVISION.	DWN P.BENNUR 2/24/2006		SURFACE MOUNTED HOUSING HA.16.SG-LB.16
DIMENSIONS: DIMENSIONEN: mm	CHK R.SRINIVAS 2/24/2006		
TOLERANCES UNLESS OTHERWISE SPECIFIED: ALLGEMEINTOLERANZEN n. ISO 8015 - mH-E n. ISO 2768 - 140 n. DIN 16901-	APVD T.SCHNURPFEIL 2/24/2006		
0 PLC # 1 PLC # 2 PLC # 3 PLC # ANGLES / WINKEL #	PRODUCT SPEC. 108-74009 APPLICATION SPEC. 114-74004		
MATERIAL 	FINISH / OBERFLAECHE / FARBE 	WEIGHT GEWICHT -	NAME HA.16.SG-LB.16
		SIZE A3	CAGE CODE 00779
		DRAWING NO. ZEICHNUNGS-NR. 1102143	RESTRICTED TO NUR FUER
		CUSTOMER DRAWING / KUNDENZEICHNUNG	
		SCALE MASSSTAB 1:1	SHEET BLATT 1 OF VON 1
		REV. B2	

H:\HITS\EGGMA05416\HA_16_1\ASSEMBLY\1102143\C_1102143_LB.Ldr

单击下面可查看定价，库存，交付和生命周期等信息

[>>TE Connectivity\(泰科\)](#)