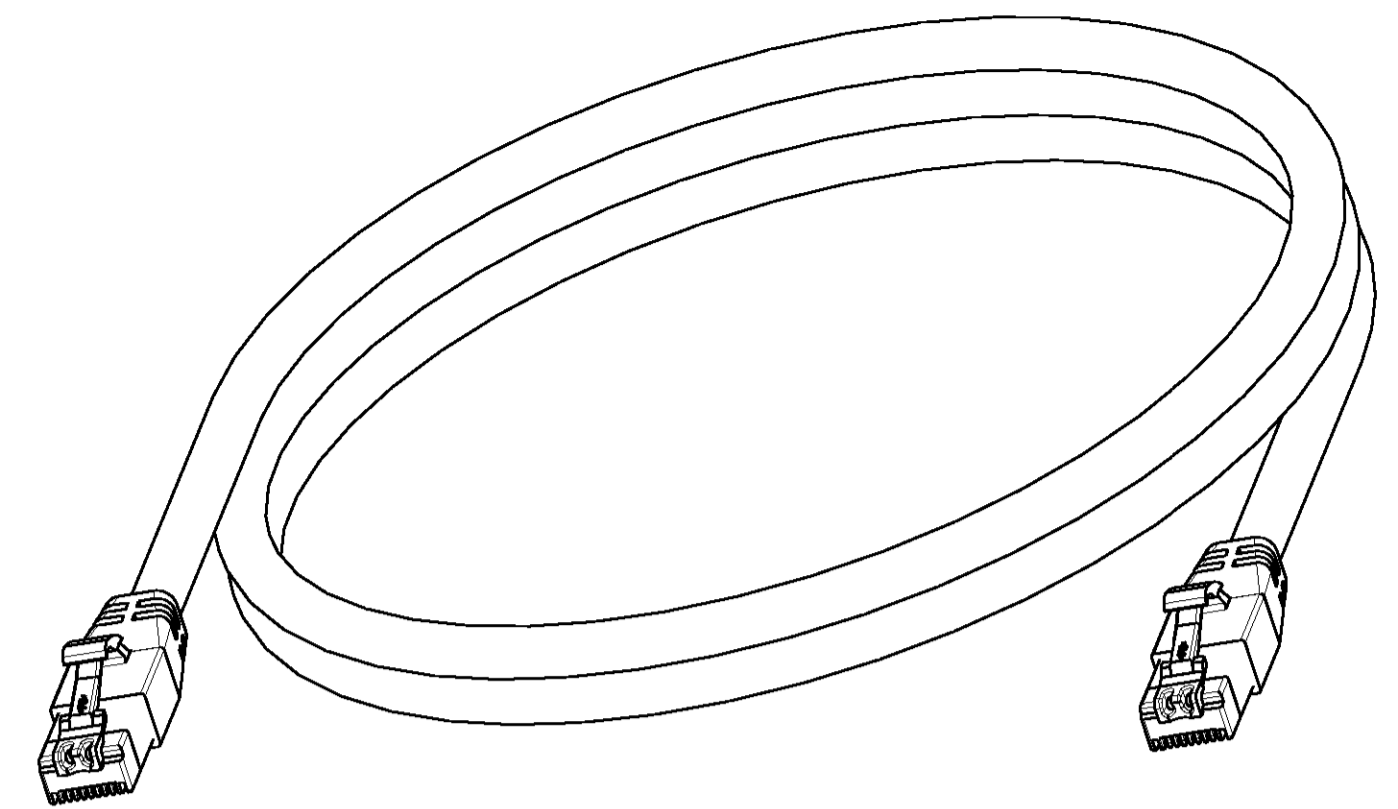
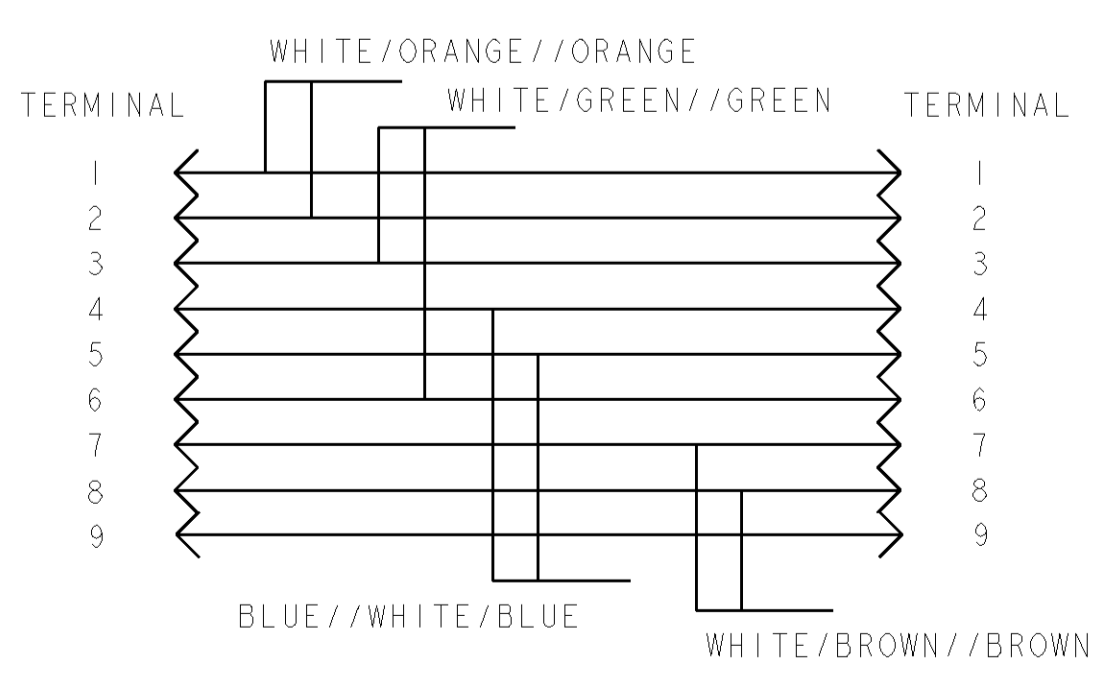
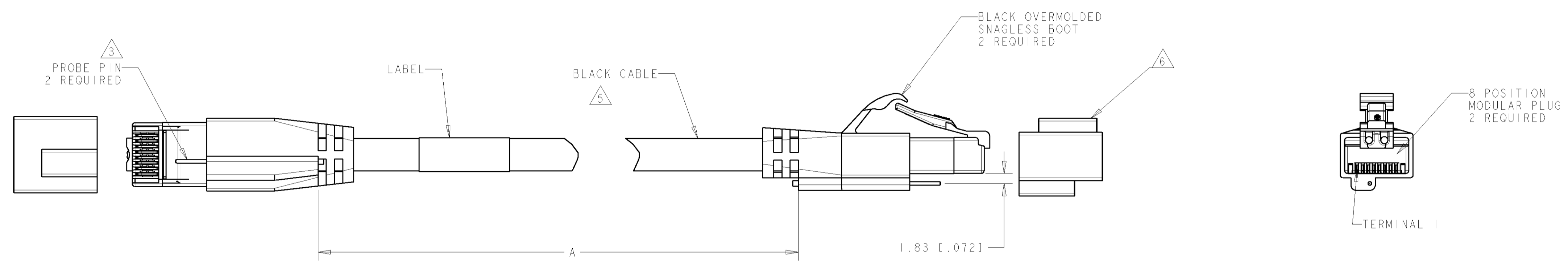


| LOC | DIST | REVISIONS |     |                      |           |     |      |
|-----|------|-----------|-----|----------------------|-----------|-----|------|
| HM  | 00   | P         | LTR | DESCRIPTION          | DATE      | DWN | APVD |
|     |      | E         |     | REV-EC 0B60-0050-04  | 28JUN04   | LH  | MD   |
|     |      | F         |     | REV: EC 0B60-0118-04 | 28DEC2004 | GG  | MD   |



- ① CABLE ASSEMBLY SHALL BE WIRED PER WIRING DIAGRAM.
- 2. FINAL ASSEMBLY SHALL BE 568B COMPLIANT.
- ③ PROBE PINS ARE CONNECTED BY 9TH WIRE IN CABLE.
- ④ DIMENSIONS ARE MAXIMUM.
- ⑤ CABLE OUTSIDE DIAMETER IS 6.7 MM NOMINAL AND FOR REFERENCE ONLY.
- ⑥ PROTECTIVE CAPS TO BE REMOVED PRIOR TO MATING WITH MODULAR JACK, SHIPPED WITH CAPS INSTALLED.



① WIRING DIAGRAM 568B

|           |                  |             |
|-----------|------------------|-------------|
| 45        | 13716.0 [540.00] | 4-1435864-5 |
| 40        | 12192.0 [480.00] | 4-1435864-0 |
| 25        | 7874.0 [310.00]  | 2-1435864-5 |
| 20        | 6096.0 [240.00]  | 2-1435864-0 |
| 16        | 5130.8 [202.00]  | 1-1435864-6 |
| 14        | 4521.2 [178.00]  | 1-1435864-4 |
| 10        | 3251.2 [128.00]  | 1-1435864-0 |
| 9         | 2895.6 [114.00]  | 1435864-9   |
| 7         | 2286.0 [90.00]   | 1435864-7   |
| 5         | 1676.4 [66.00]   | 1435864-5   |
| 4         | 1371.6 [54.00]   | 1435864-4   |
| 3         | 1066.8 [42.00]   | 1435864-3   |
| 2         | 762.0 [30.00]    | 1435864-2   |
| FEET, REF | A ④              | PART NO.    |

|                           |  |   |  |   |  |  |  |
|---------------------------|--|---|--|---|--|--|--|
| DIMENSIONS: MM [INCH]<br> |  | TOLERANCES UNLESS OTHERWISE SPECIFIED:<br>0 PLC ±<br>1 PLC ±<br>2 PLC ±<br>3 PLC ±<br>4 PLC ±<br>ANGLES ±<br>FINISH ± |  | DWN: L HALL 05FEB04<br>ENR: M DELPHIAS 06FEB04<br>APVD: M DELPHIAS 06FEB04                                    |  | <b>tyco</b> Tyco Electronics<br>Harrisburg, Pa., 17105-3608  |  |
| MATERIAL: -<br>FINISH: -  |  | WEIGHT: -<br>CUSTOMER DRAWING   |  | NAME: PATCH CORD, AMPTRAC CATEGORY 6, NON-PLENUM, BLACK W/BLK BOOTS<br>PRODUCT SPEC: -<br>APPLICATION SPEC: - |  | SIZE: A   00779   C=1435864<br>SCALE: NTS SHEET 1 OF 1 REV F |  |

单击下面可查看定价，库存，交付和生命周期等信息

[>>TE Connectivity\(泰科\)](#)