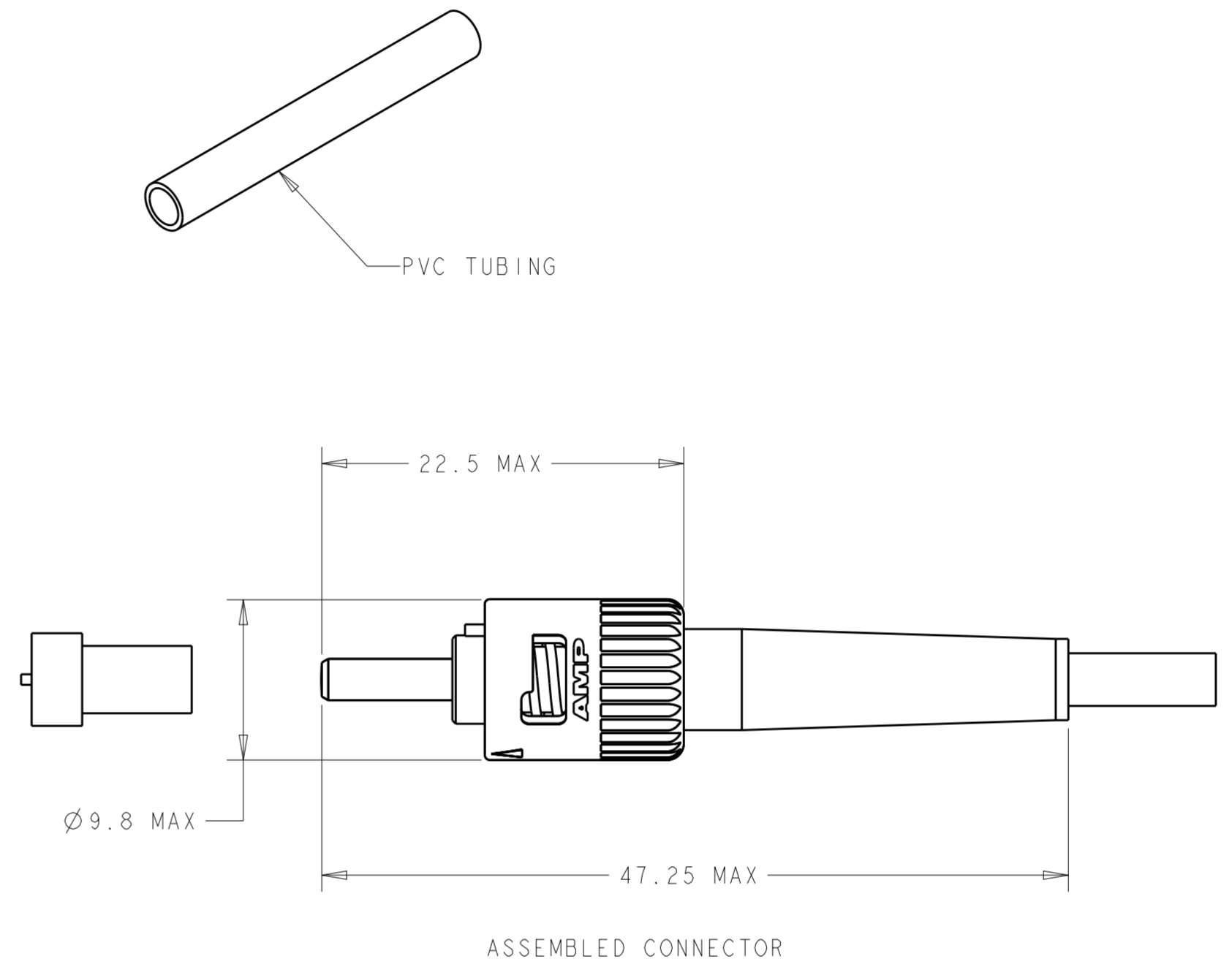
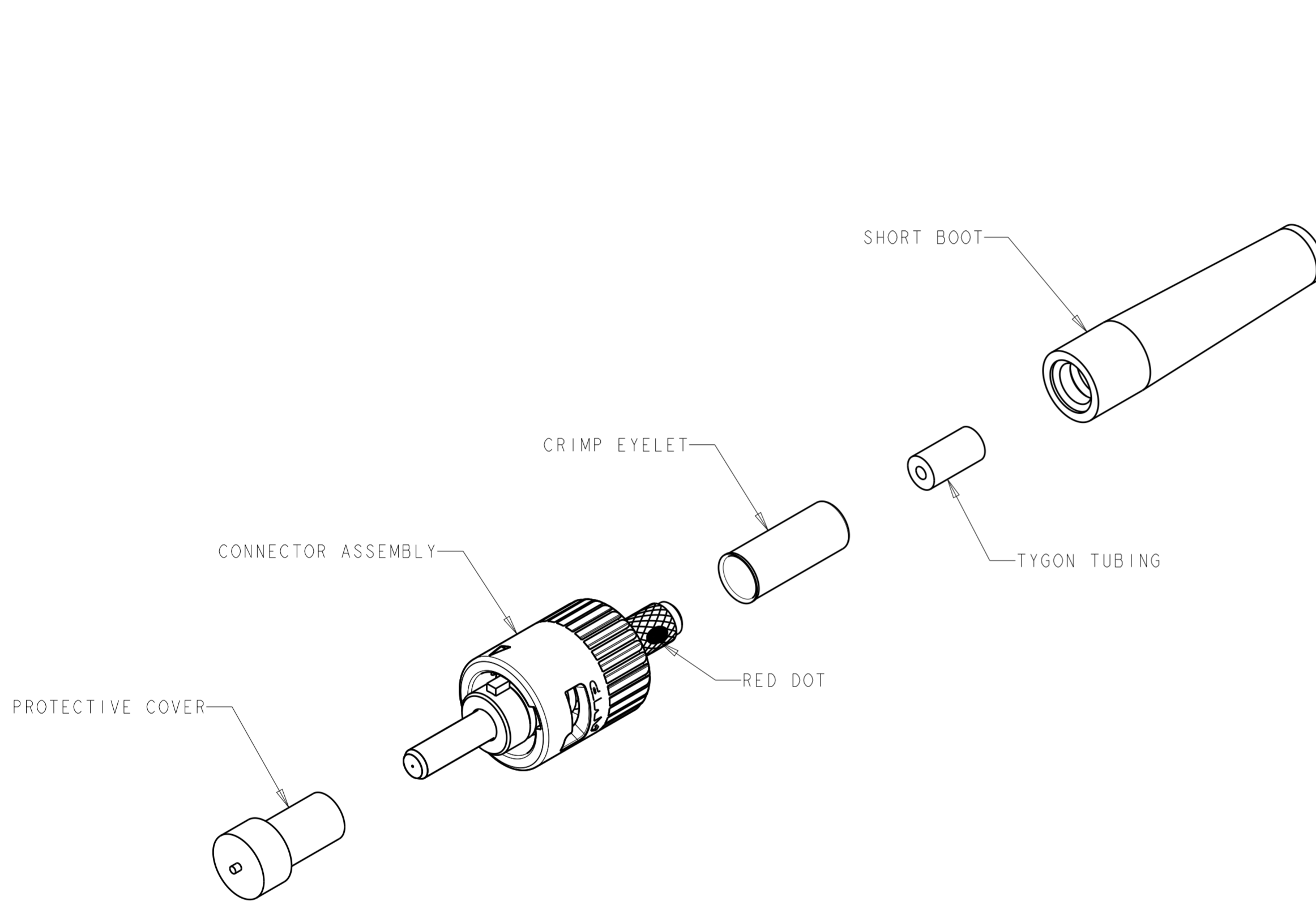


THIS DRAWING IS UNPUBLISHED. RELEASED FOR PUBLICATION 20  
 © COPYRIGHT 20 BY - ALL RIGHTS RESERVED.

LOC	DIST	REVISIONS			
P	LTR	DESCRIPTION	DATE	DWN	APVD
CE	00	C	REV; ECO-13-008563	22MAY2013	GG TE



- 1 MATERIAL:  
 PROTECTIVE COVER: LDPE, COLOR: BLACK, NON-FR.  
 CONNECTOR ASSEMBLY:  
 FERRULE ASSEMBLY: CERAMIC/NICKEL PLATED BRASS.  
 SPRING: STAINLESS STEEL.  
 COUPLING NUT: ZINC.  
 RETENTION RING: STAINLESS STEEL.  
 CRIMP EYELET: TIN PLATED COPPER.  
 SHORT BOOT: TPE, SEE DASH NUMBERS FOR COLOR\*  
 TYGON TUBING: TYGON, COLOR: CLEAR.  
 PVC TUBING: PVC, COLOR: BLACK, NON-FR.  
 \*UL94 V-0 RATED AT QUALIFYING THICKNESS.  
 BUFFER BOOT: TPE, SEE DASH NUMBERS FOR COLOR.

2 BULK PACKAGE.

3. INSTRUCTION SHEET: 408-9971 AVAILABLE FOR DOWNLOAD AT:  
[www.tycoelectronics.com/documents](http://www.tycoelectronics.com/documents) OR [www.ampnetconnect.com/foguide](http://www.ampnetconnect.com/foguide)

2	YELLOW	PVC	YELLOW	126 µm	5502580-8
2	-	-	BLUE	126 µm	5502580-7
2	YELLOW	-	YELLOW	126 µm	5502580-4
	YELLOW	PVC AND TYGON	YELLOW	126 µm	5502580-2
	BUFFER BOOT	TUBING	SHORT BOOT	FIBER SIZE	PART NUMBER

THIS DRAWING IS A CONTROLLED DOCUMENT.

DWN	B. BRIGGS	05APR2005	 TE Connectivity
CHK	S. BUCHTER	05APR2005	
APVD	S. BUCHTER	05APR2005	
PRODUCT SPEC			
DIMENSIONS: mm [INCHES]			NAME CONNECTOR KIT, 2.5mm BAYONET, SINGLEMODE, OPTIMATE
TOLERANCES UNLESS OTHERWISE SPECIFIED: 0 PLC ± 1 PLC ± 2 PLC ± 3 PLC ± 4 PLC ± ANGLES ± FINISH			SIZE A200779
MATERIAL 1			DRAWING NO C-5502580
Customer Drawing			RESTRICTED TO -
SCALE 3:1			SHEET 1 OF 1
REV C			

单击下面可查看定价，库存，交付和生命周期等信息

[>>TE Connectivity\(泰科\)](#)