

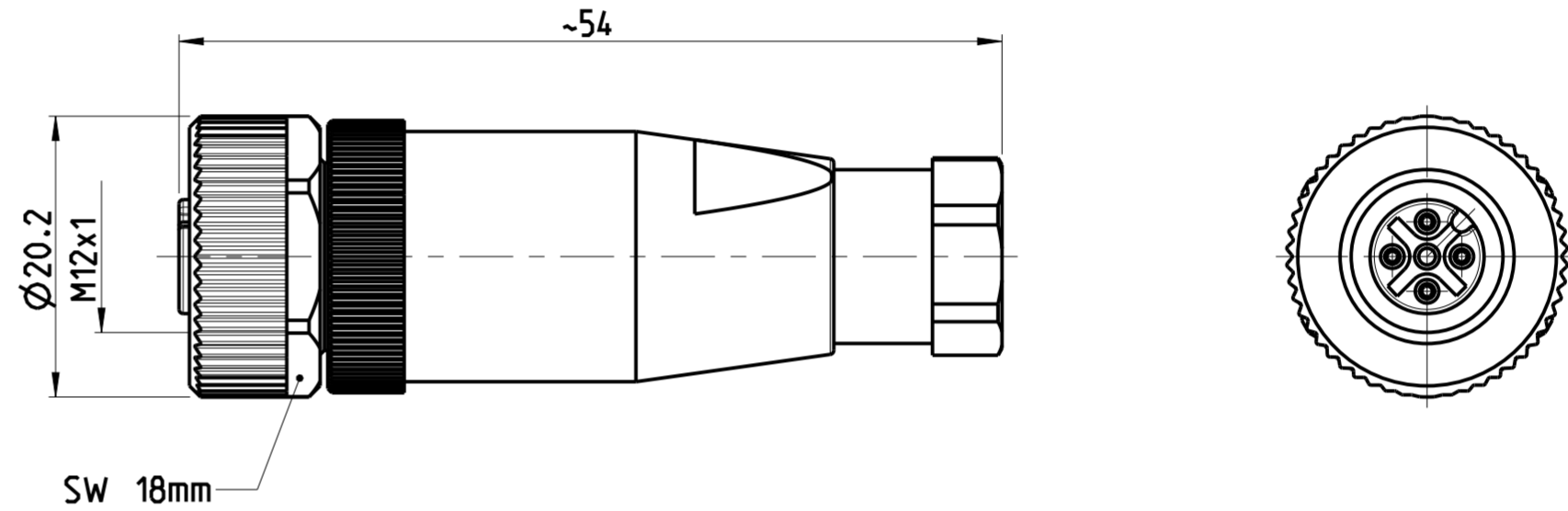
THIS DRAWING IS UNPUBLISHED.
 VERTRÄGLICHE UNVERÖFFENTLICHTE ZEICHNUNG
 © COPYRIGHT 2014 Tyco Electronics AMP GmbH
 RELEASED FOR PUBLICATION
 FREI FÜR VERÖFFENTLICHUNG
 2014
 ALL RIGHTS RESERVED.
 ALLE RECHTE VORBEHALTEN.
 NOTED WITH
 PASSEND ZU

PROJECT NO.:
 PRJ-14-00000805

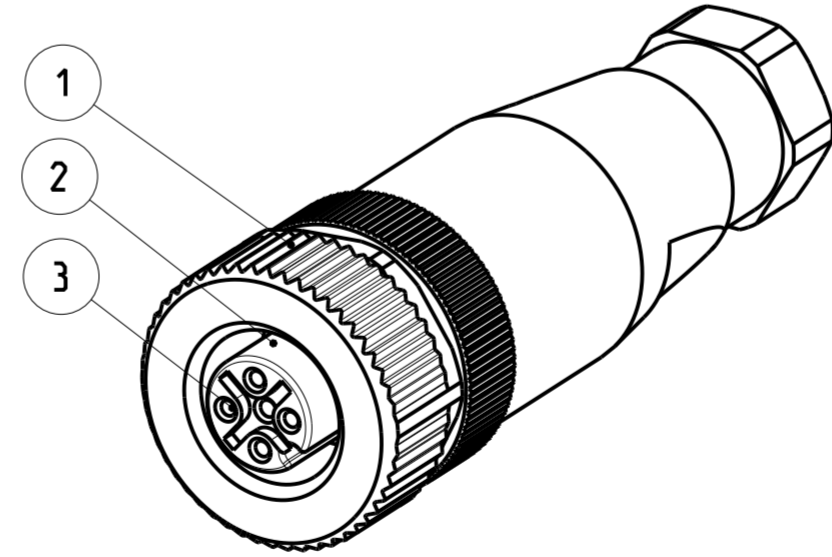
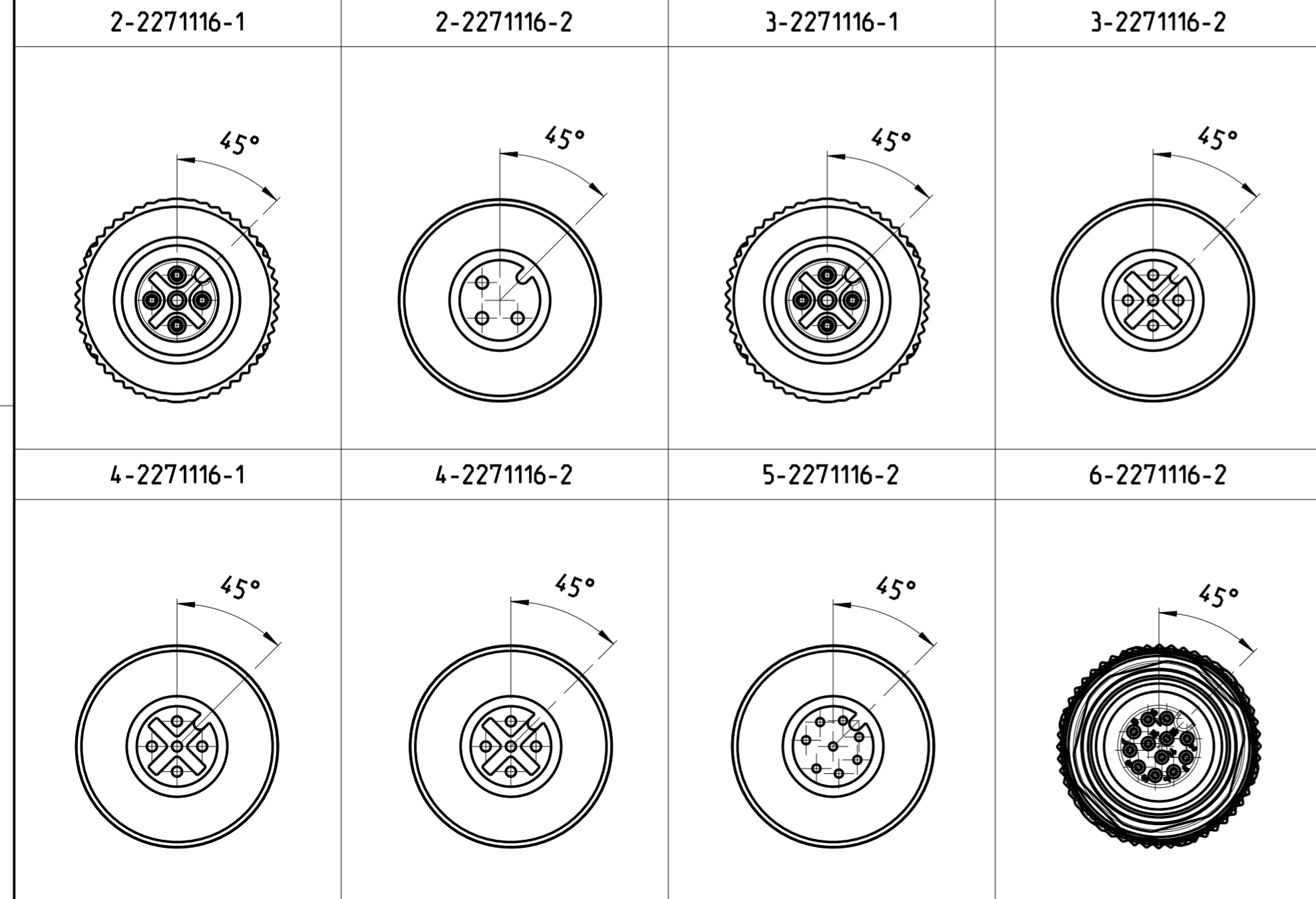
REVISIONS				
NO.	DESCRIPTION	DATE	DWN	APVD
A2	DESCRIPTION CORRECTED FROM SOLDER TO SCREW TERMINAL IN TITLE BLOCK	13NOV2014	CR	JK

TECHNICAL DATA	2-2271116-1	2-2271116-2	3-2271116-1	3-2271116-2	4-2271116-1	4-2271116-2	5-2271116-2	6-2271116-2
RATED VOLTAGE	250V	250V	250V	250V	125V	125V	60V	30V
RATED IMPULSE VOLTAGE	2500V	2500V	2500V	2500V	1500V	1500V	800V	500V
POLLUTION DEGREE	3	3	3	3	3	3	3	3
OVERVOLTAGE CATEGORY	II	II	II	II	II	II	II	II
MATERIAL GROUP	II	II	II	II	II	II	II	II
RATED CURRENT	4A	4A	4A	4A	4A	4A	2A	2A
VOLUME RESISTIVITY	≤ 8mΩ	≤ 8mΩ	≤ 8mΩ	≤ 8mΩ	≤ 8mΩ	≤ 8mΩ	≤ 3mΩ	≤ 3mΩ
DEGREE OF PROTECTION	IP67	IP67	IP67	IP67	IP67	IP67	IP67	IP67
UPPER TEMPERATURE	+85 °C	+85 °C	+85 °C	+85 °C	+85 °C	+85 °C	+85 °C	+85 °C
LOWER TEMPERATURE	-40 °C	-40 °C	-40 °C	-40 °C	-40 °C	-40 °C	-40 °C	-40 °C

- 1 MATERIAL: ITEM NO. 1: HOUSING - PA
 ITEM NO. 2: CONTACT BODY - PA
 ITEM NO. 3: CONTACT - CuZn (brass)
- 2 CONTACT FINISH - CuSnZn (Optalloy)
- 3 CONTACT FINISH - Au (gold)
- 4 ALL DIMENSIONS ARE FOR NOMINAL REFERENCE ONLY UNLESS OTHERWISE STATED
- 5 MEASUREMENT REFERENCE ONLY
- 6 PACKAGING: 1 PIECE IN A BAG



PIN ARRANGEMENT
 A-CODING (SCALE 2:1)



CABLE FEED-THROUGH	WIRES	MATERIAL	NUMBER OF POLES	TE-PART-NO.
6-8	24 / 0.25mm ²	1 3	12	6-2271116-2
6-8	20 / 0.50mm ²	1 3	8	5-2271116-2
6-8	18 / 0.75mm ²	1 2	5	4-2271116-2
4-6	18 / 0.75mm ²	1 2	5	4-2271116-1
6-8	18 / 0.75mm ²	1 2	4	3-2271116-2
4-6	18 / 0.75mm ²	1 2	4	3-2271116-1
6-8	18 / 0.75mm ²	1 2	3	2-2271116-2
4-6	18 / 0.75mm ²	1 2	3	2-2271116-1

3-1 AS SHOWN
 WIE GEZEICHNET

DIESE ZEICHNUNG IST EIN KONTROLLIERTES DOKUMENT.
 BEMASSUNGEN UND TOLERANZEN GEMAESS GPS (ISO STANDARDS).

THIS DRAWING IS A CONTROLLED DOCUMENT.
 DIMENSIONING AND TOLERANCING PER GPS (ISO STANDARDS).

DIMENSIONS: MASSSTAB: 1:1
 TOLERANCES UNLESS OTHERWISE SPECIFIED: ALLGEMEINTOLERANZEN

MATERIAL: -

DWN: YASHKUMAR 25APR2014
 CHK: M.STRELOW 25APR2014
 APVD: C.SCHREITLINGER 25APR2014

PRODUCT SPEC: 108-19483
 APPLICATION SPEC: 114-32127

WEIGHT: -

Customer Drawing

NAME: M12 RECEPTACLE, STRAIGHT, FIELD INSTALLABLE, UNSHIELDED CONNECTOR, SCREW TERMINALS, A-CODING

SIZE: A2
 CAGE CODE: 00779
 DRAWING NO.: C-2271116

RESTRICTED TO: MUR FUER

SCALE: MASSSTAB 2:1
 SHEET: BLATT 1 OF 1
 REV: A2

STE TE Connectivity

单击下面可查看定价，库存，交付和生命周期等信息

[>>TE Connectivity\(泰科\)](#)