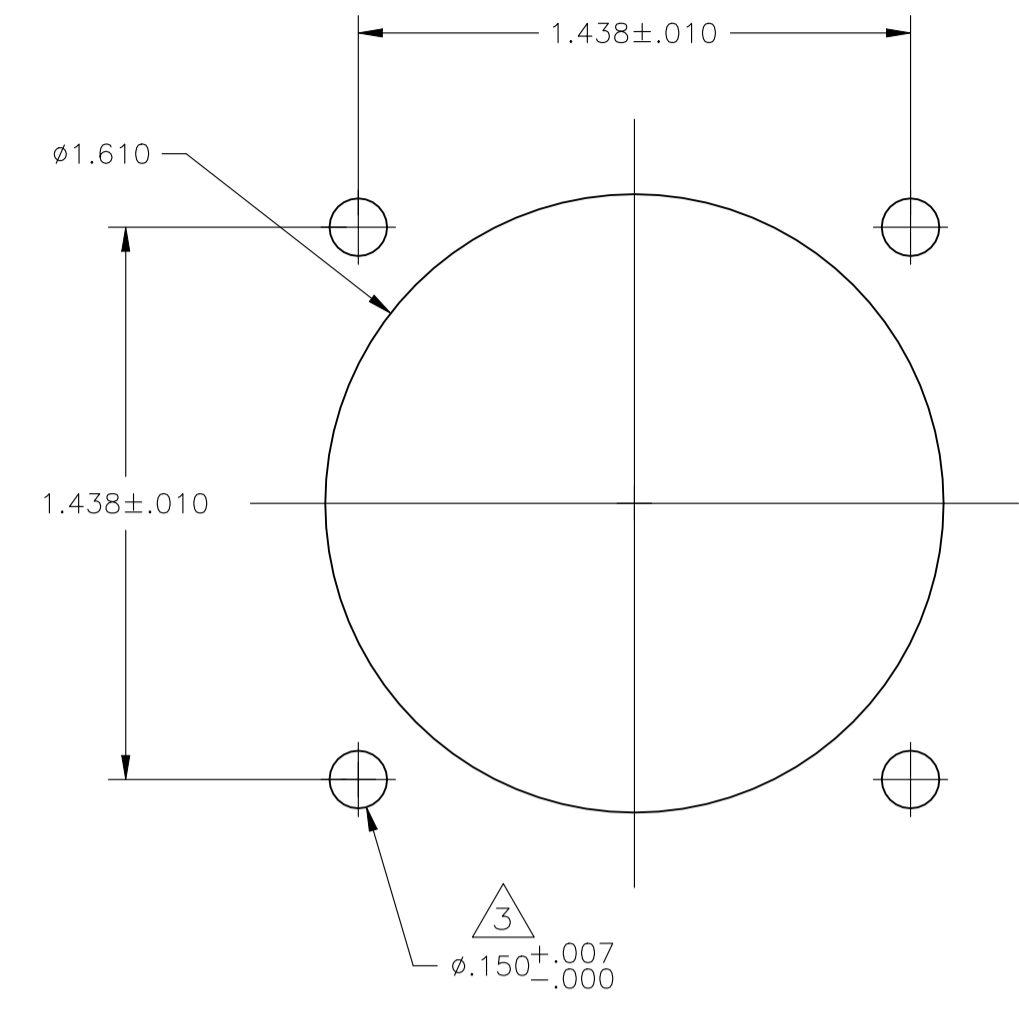
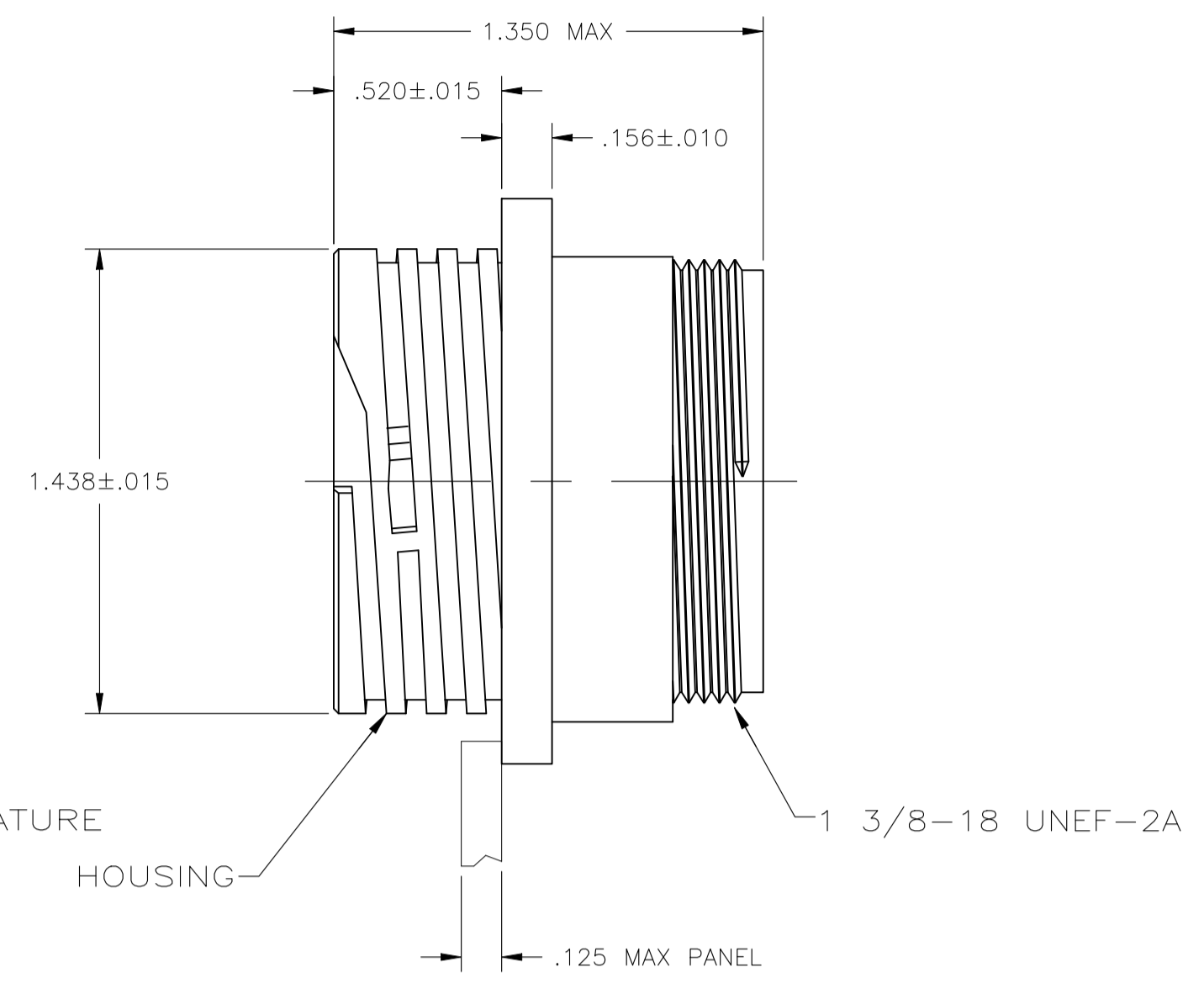
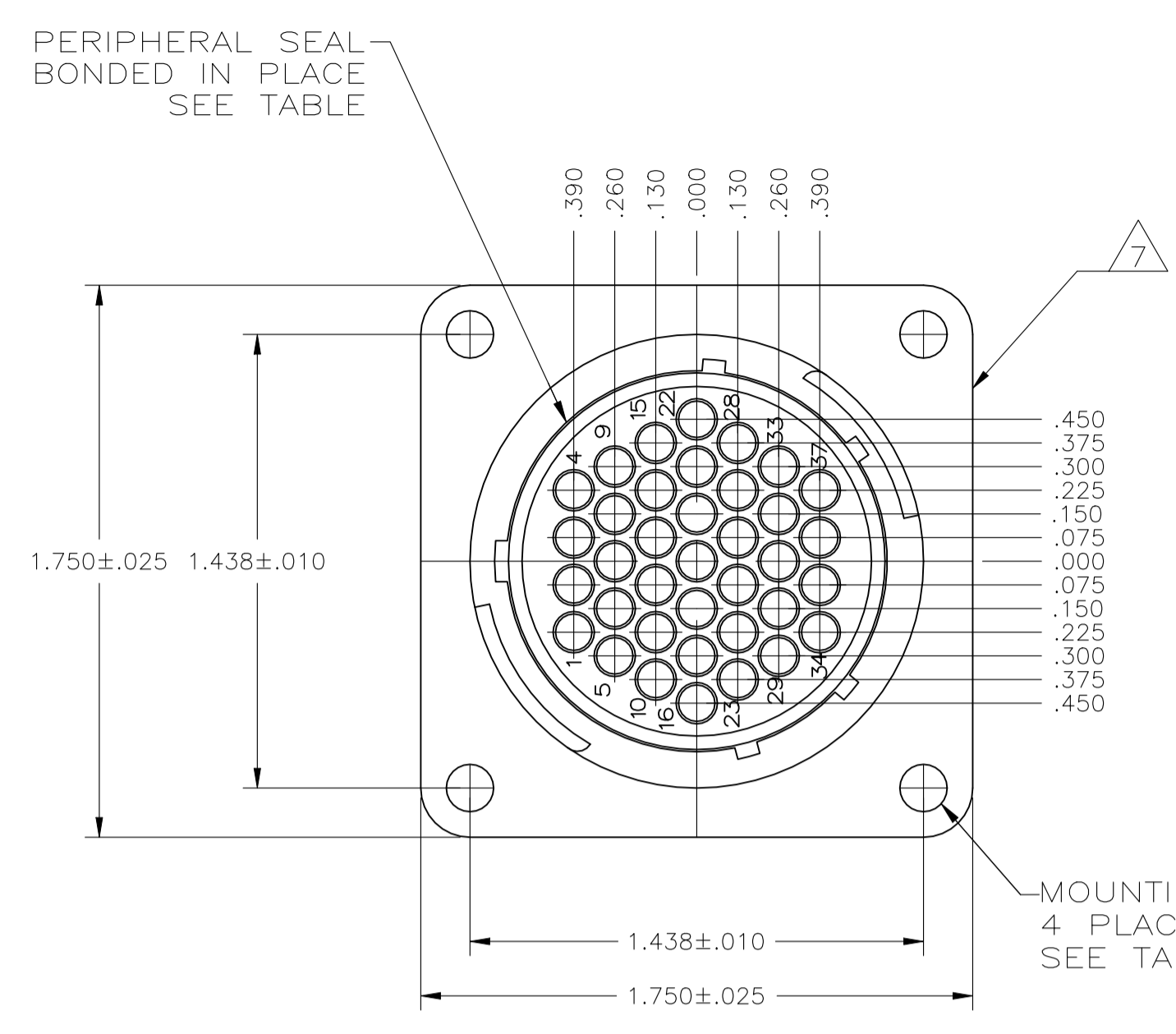
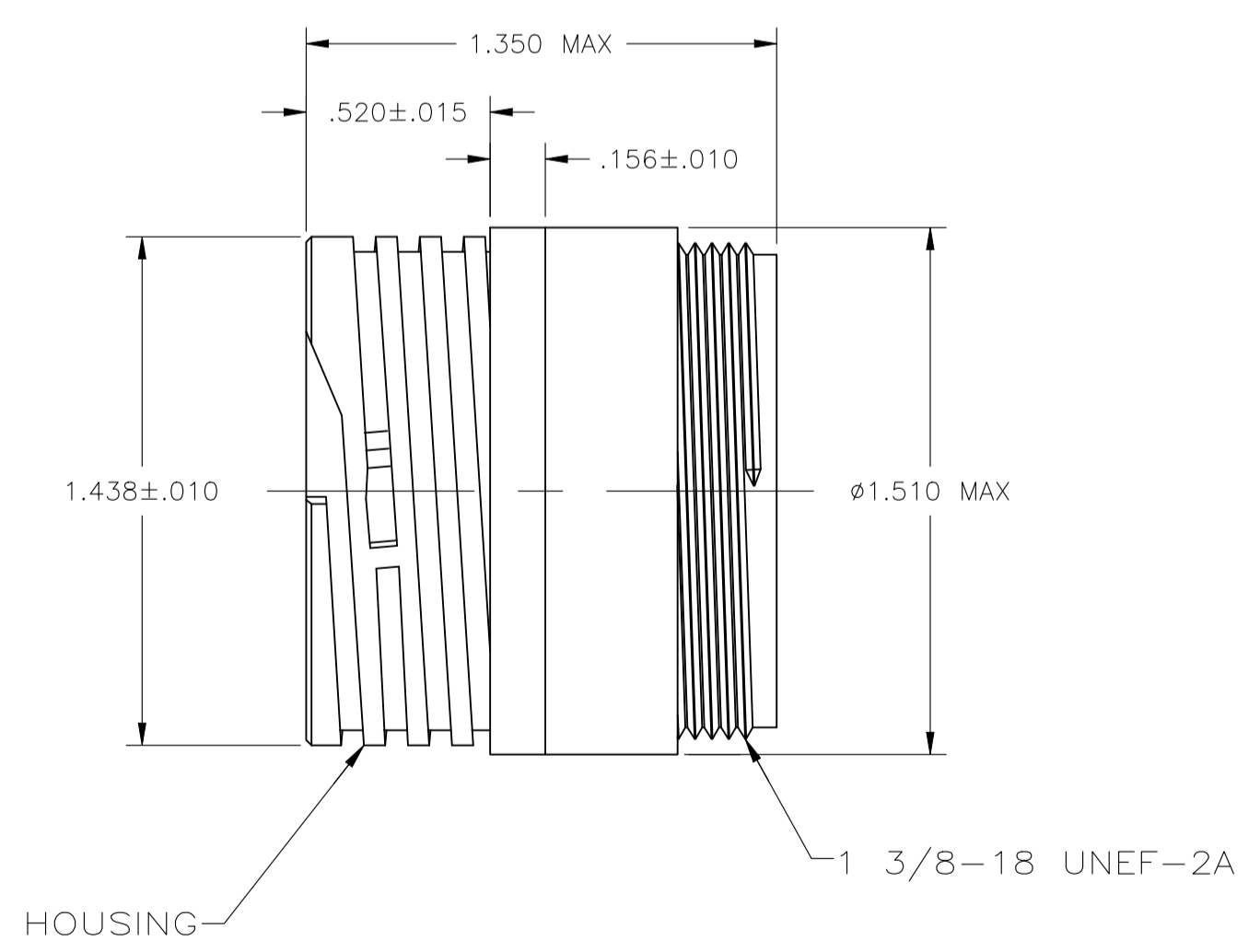
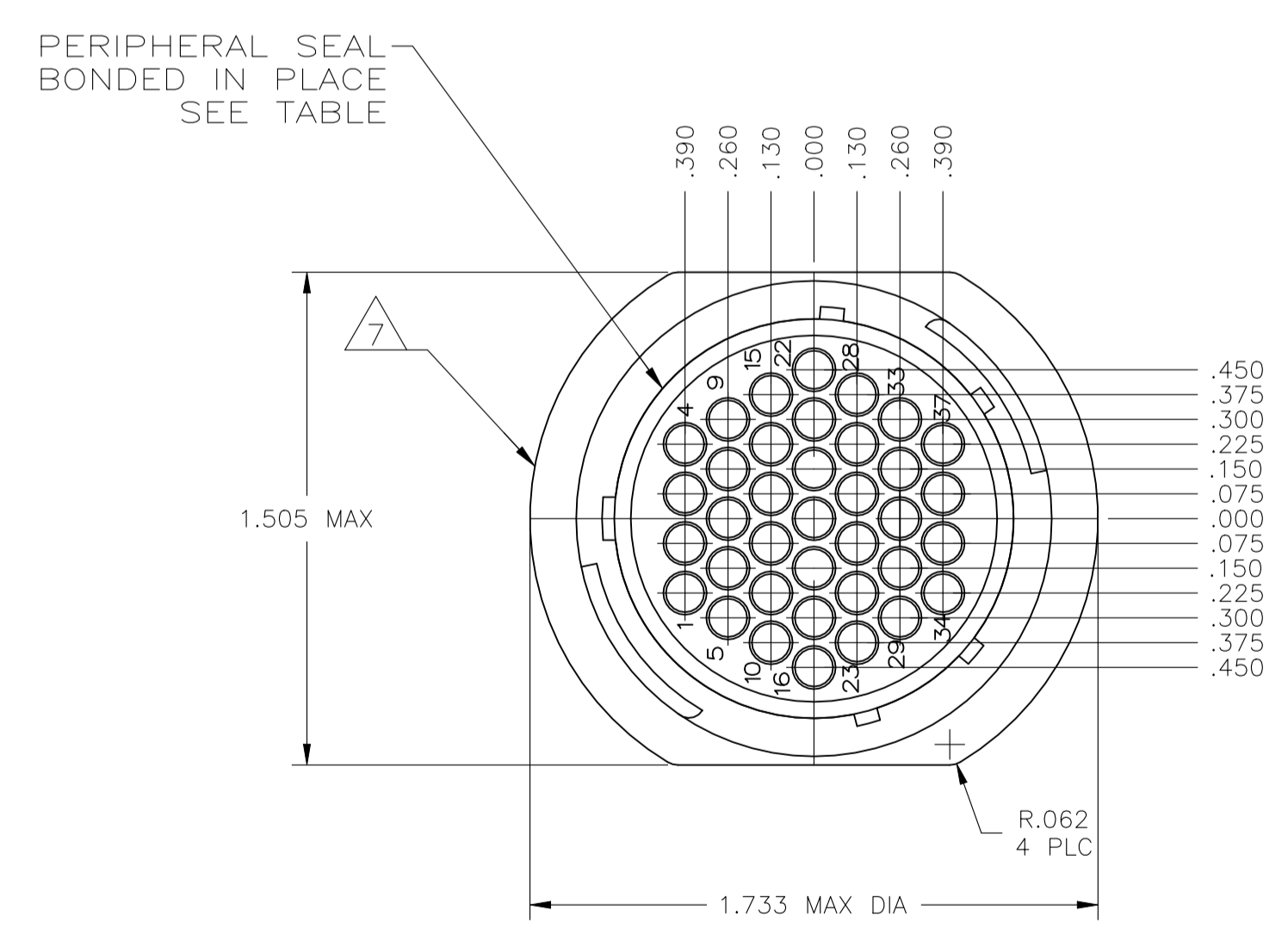
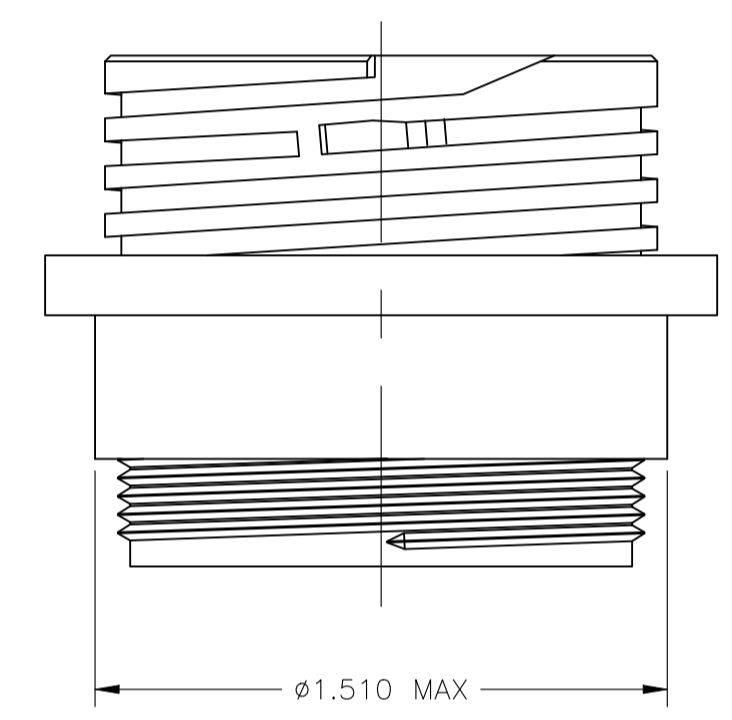


REVISIONS				
P	LTR	DESCRIPTION	DATE	APVD
R		REVISED PER ECO-21-006945	27OCT2021	RK MZ



DETAIL A

RECOMMENDED PANEL CUTOUT



DETAIL B

- 1 CAVITY IDENTIFICATION ON FRONT AND REAR FACE.
- 2 WILL ACCEPT THIRTY-SEVEN (37) MULTIMATE PIN CONTACTS.
- 3 NO 4 FASTENER RECOMMENDED FOR MOUNTING.
- 4 WHITE DOT NEAR POSITION 1 ON WIRE ENTRY FACE.
- 5 OBSOLETE PARTS: OBSOLETE CIS STREAMLINING PER D.RENAUD/D.SINISI
- 6 MATERIALS:
HOUSINGS: PA66, BLACK
PERIPHERAL SEAL: NITRILE BUTADIENE RUBBER
THREADED INSERT: BRASS
- 7 TE LOGO AND PART NUMBER LOCATED ON ANY FLANGE EDGE

#4-40 THREADED INSERT	STANDARD	NO	A	206151-9
4	0.150 MOUNTING HOLES	STANDARD	YES	206151-8
5	0.150 MOUNTING HOLES	STANDARD	NO	206151-6
6	0.150 MOUNTING HOLES	SMALL PACK	NO	206151-5
	NONE	STANDARD	YES	206151-4
	0.150 MOUNTING HOLES	STANDARD	YES	206151-3
	NONE	STANDARD	NO	206151-2
	0.150 MOUNTING HOLES	STANDARD	NO	206151-1
	MOUNTING FEATURE	PACKAGING	PERIPHERAL SEAL	SEE DETAIL
				PART NUMBER

THIS DRAWING IS A CONTROLLED DOCUMENT.

DIMENSIONS: INCHES	TOLERANCES UNLESS OTHERWISE SPECIFIED:	DIN S SCHLEGEL 08DEC2002	TE Connectivity
0 PLC ± -	1 PLC ± -	8/13/83	RECEPTACLE HOUSING, STANDARD SEX, SHELL SIZE 23, CPC
2 PLC ± -	3 PLC ± .005	APVD R STONE 8/13/83	NAME
4 PLC ± -	ANGLES ± -	PRODUCT SPEC	APPLICATION SPEC
MATERIAL	FINISH	SIZE	CAGE CODE
		WEIGHT	DRAWING NO
			A1 00779
		CUSTOMER DRAWING	SCALE 2:1
			SHEET 1 of 1
			REV R

单击下面可查看定价，库存，交付和生命周期等信息

[>>TE Connectivity\(泰科\)](#)